



**Air LP™**

IT55F

<b>Quickstart Guide</b>	English (3–7)
<b>Guía de inicio rápido</b>	Español (8–12)
<b>Guide d'utilisation rapide</b>	Français (13–17)
<b>Guida rapida</b>	Italiano (18–22)
<b>Schnellstart-Anleitung</b>	Deutsch (23–27)
<b>Snelstartgids</b>	Nederlands (28–32)
<b>Appendix</b>	English (34)



## Quickstart Guide (English)

### Introduction

#### Box Contents

Make sure that the items listed below are included in the box:

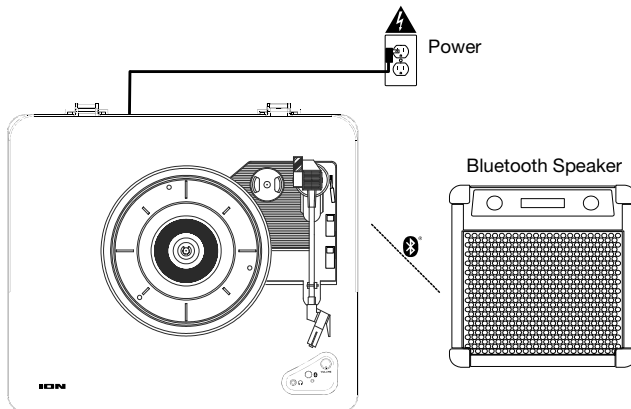
- Air LP™
- 12V 0.2A DC Power adapter (5 ft. / 1.5 m)
- Dust Cover
- USB cable (5 ft. / 1.5 m)
- RCA Cable (3 ft. / 1 m)
- 1/8" (3.5 mm) Aux Cable
- 45 RPM Adapter
- Felt Slipmat
- Software Download Card
- Quickstart Guide
- Safety & Warranty Manual

#### Support

For the latest information about this product (system requirements, compatibility information, etc.) and product registration, visit [ionaudio.com](http://ionaudio.com).

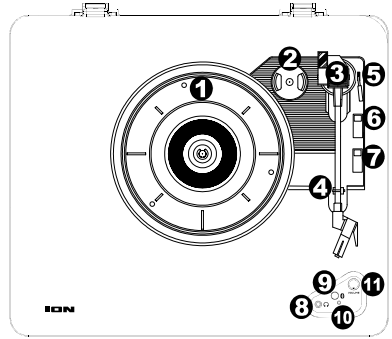
#### Connection Diagram

Items not listed under the **Box Contents** are sold separately.



**Features**

1. **Platter:** Place your record here.
2. **45 RPM Adapter Holder:** Holds the included 45 RPM adapter. When not using the adapter, please place it in this holder.
3. **Tonearm:** The fixed tonearm can be raised and lowered by hand, or by pressing the raise / lower lever.
4. **Arm Clip:** This specially designed arm clip secures the tonearm while at rest or when not in use. The arm clip has been designed to remain in the up position while unlocked.
5. **Raise / Lower Lever:** Raises and lowers the tonearm.
6. **33 / 45 / 78 Switch:** This switch controls the RPM of the turntable platter.



**Note:** For best results when playing 78 RPM vinyl records, use a 78 stylus (sold separately). Only use a 78 stylus with 78 RPM vinyl records. Purchase the iCT06rs 78 stylus at [ionaudio.com](http://ionaudio.com).

7. **Autostop switch:** This switch turns autostop on or off. When autostop is on, the platter will start spinning when the tonearm is placed over the record and stop spinning when the record has reached the end. (When autostop is off, the platter will always spin regardless of the position of the tonearm.)

**Note:** If your vinyl record stops before it reaches the end of the music, turn Autostop to the off position for this particular record. This is generally recommended for 45 RPM records.

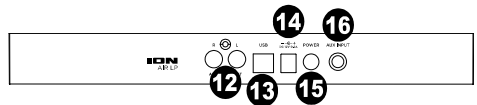
8. **Headphone Jack:** Connect headphones (sold separately) to listen to your vinyl playback.
9. **Bluetooth Button:** Press this button to start Bluetooth pairing. If after 5 minutes no Bluetooth speaker can be found to pair with, the Bluetooth transmitter will become inactive and the LED will turn off. If currently connected, press this to disconnect from a currently connected Bluetooth device.
10. **Bluetooth LED:** This LED blinks when pairing with a Bluetooth device. Once fully paired, the LED will remain solid. The LED will be off when Bluetooth is inactive, and when the Air LP is turned off.
11. **Volume:** Adjust this to control the headphone and Bluetooth output level.
12. **RCA Output\*:** The audio from a playing vinyl record is sent to this line-level RCA audio output. This must not be connected to phono level devices.

**IMPORTANT:** Place the included felt slipmat on the platter; then place your record on the felt slipmat to carefully hold your records.

**IMPORTANT:** Remove the plastic cartridge cover (needle cover) before operating the turntable.

**\*WARNING:** The RCA outputs are LINE level. Please only connect these to LINE level inputs. You may damage your receiver if you plug in a LINE level device into a PHONO level input.

13. **USB Audio Output:** Use the included USB cable to connect your turntable to your computer. The USB connection will send audio from the turntable to your computer. Please see the [Using Air LP With Your Computer](#) section of this manual for information.
14. **Power Cable Input:** Use the included adapter to connect to wall power.
15. **Power Button:** Press this button to turn Air LP on/off. Air LP Turntable will re-connect to your last used Bluetooth Speaker when powering on, if it is in range.
16. **Aux Input:** Connect a CD player, digital media player, or other audio source to this 1/8" stereo auxiliary input. The audio from the Aux Input is also transmitted over a Bluetooth connection.



## Pairing Air LP to a Bluetooth Speaker

Air LP has a Bluetooth transmitter to send audio to a Bluetooth speaker wirelessly.

1. Power on your Bluetooth speaker and ensure it is in pairing mode.
2. Power on the Air LP turntable.
3. Press and release the Bluetooth button on Air LP to start pairing to your Bluetooth device. Once Air LP is connected to the Bluetooth speaker, the Bluetooth LED will be solid blue. Your Bluetooth speaker should also indicate that its paired.

**Note:** Air LP will connect to the closest Bluetooth speaker that is near it. If after 5 minutes no Bluetooth speaker can be found to pair with, the Bluetooth transmitter will become inactive and the LED will turn off.

**Note:** Maximum range will be achieved when using devices with Bluetooth 4.0 or higher.

4. Play music on your Air LP turntable. If you are connected to a Bluetooth speaker with a play/pause button, and do not hear audio, try pressing the play/pause button.
5. Adjust the volume on your Bluetooth speaker (if applicable) or the Volume knob on Air LP to control the output level.
6. To disconnect pairing, power off the Air LP turntable or turn of Bluetooth pairing on your Bluetooth speaker.

**Note:** Move other Bluetooth receivers/speakers out of range of Air LP (30'/9.1m or more) or turn them off to connect to your Bluetooth speaker.

## Using Air LP With Your Computer

### Recording

To record music to your computer, you can use ION EZ Vinyl/Tape Converter and a USB cable. EZ Vinyl/Tape Converter conveniently saves your recordings to your computer. After you finish converting your vinyl, you can then burn to CD or load onto portable media devices.

Follow the instructions on the included software download card for installing EZ Vinyl/Tape Converter.

1. With EZ Vinyl/Tape Converter installed on your computer, use the included USB cable to connect Air LP's USB port to an available USB port on your computer.
2. On your computer, you can open EZ Vinyl/Tape Converter by going to **Start Menu ▶ All Programs** (Windows) or the **Applications** menu (Mac).
3. Follow the on-screen instructions to set up your recording. When prompted to play your music, move Air LP's tonearm over the record to start playback.

**Note:** To listen to a record while it's playing, listen through your computer's speakers, or connect Air LP's RCA outputs to a stereo system or powered speakers. Do **not** connect them to phono-level inputs; Air LP's RCA outputs are line-level and could damage a device with phono-level inputs.

4. When you have finished recording, raise Air LP's tonearm from the record and return it to its arm clip.

### Playback

You can listen to the music on your computer through its internal speakers or through headphones connected to it. (Air LP cannot be used as a playback device for your computer's audio.)

To listen to a **record** while it's playing, listen through your computer's speakers, or connect Air LP's RCA outputs to a stereo system or powered speakers. Do **not** connect them to phono-level inputs; Air LP's RCA outputs are line-level and could damage a device with phono-level inputs.

## Troubleshooting

If you experience any difficulties, please refer to the troubleshooting steps below as well as those in the EZ Vinyl/Tape Converter manual included with this product.

If you are recording to a **computer**:

- Make sure that Air LP is powered on and that the needle is on the record.
- Make sure Air LP is selected as your computer's default recording device (see the instructions below).
- If you are listening through your computer's speakers, make sure those speakers are selected as your computer's default playback device (see the instructions below). Alternatively, you could connect Air LP's RCA outputs to a stereo system or powered speakers. Do **not** connect them to phono-level inputs; Air LP's RCA outputs are line-level and could damage a device with phono-level inputs.  
(Note: The RCA outputs monitor the signal coming out of the turntable, not the signal coming from your computer.)
- Disconnect then reconnect the USB cable connecting Air LP to your computer.

**I'm not hearing any audio when playing music:**

- If you are playing music from **vinyl**:
  - Make sure that Air LP is powered on and that the needle is on the record.
  - Connect Air LP's RCA outputs to a stereo system or powered speakers. (Do **not** connect them to phono-level inputs; Air LP's RCA outputs are line-level and could damage a device with phono-level inputs.)
- If you are playing music from your **computer**:
  - Make sure your software music player's volume is turned up.
  - Make sure your computer's volume is turned up.
  - Make sure your computer's speakers are selected as your computer's default playback device (see the instructions below). (Air LP cannot be used as a playback device for your computer's audio.)

**I am hearing a hum through my speaker or laptop when using the turntable:**

- If you are recording to a laptop:
  - Please connect the laptop to a grounded power supply (3 prong)
- If you are playing through a speaker:
  - Please connect to a grounded (3 prong) power supply.

**My record is not playing at the correct speed; its pitch is too high or too low:**

- Ensure the 33 / 45 / 78 switch is set to the correct speed for your record.

**The Bluetooth speaker that I want is not pairing to Air LP.**

- Turn off or move other nearby Bluetooth speakers over 30' (9.1m) so only the closest Bluetooth speaker you want will pair.

**I am connected to a Bluetooth speaker but do not hear any audio.**

- If you are connected to a Bluetooth speaker with a play/pause button, and do not hear audio, try pressing the play/pause button.
- Press and release Air LP's Bluetooth button to disconnect it from the Bluetooth speaker, and then press it once more to try pairing it again.
- Turn Air LP off and then on again, and then press its Bluetooth button to try pairing it again.
- Use the volume knob on Air LP to turn up the Bluetooth output level.

**My smartphone will not connect to Air LP Turntable.**

- Air LP Turntable acts as a Bluetooth Transmitter, sending the audio out of Air LP into other Bluetooth Speakers. Air LP Turntable cannot act as a Bluetooth Receiver and play music from your smartphone over headphones or RCA outputs.

**The Bluetooth LED will not stop blinking.**

- Once the Bluetooth button is pressed, Air LP will try to connect to nearby Bluetooth speakers for 5 minutes. To stop the blinking Bluetooth LED, power cycle Air LP.

**I am hearing an echo when listening to music.**

- Either listen to music through a paired Bluetooth speaker **or** connect the RCA audio outputs from Air LP to a speaker. Both playback methods should not be used at the same time.

**I am hearing static noise in my headphones.**

- Press Air LP's Bluetooth button to disconnect it from a paired Bluetooth speaker. When listening to Air LP with headphones, always make sure Air LP is not connected to a Bluetooth speaker at the same time.

## Setting Air LP as the Default Recording Device

- **Windows 8:** From the **Start** Menu, click the lower-left corner of the screen to bring yourself to the Desktop.  
In the bottom-right corner of the Taskbar, locate the Volume Control "Speaker" icon. Right-click the speaker and select **Playback Devices**. In the **Windows Sound** control panel select the **Recording** tab. If **USB PnP Audio Device** does not have a green "check mark" symbol next to it, right-click it and select "Set as Default Device".
- **Windows 10:** Click **Start Menu ► Control Panel** (or Settings ► Control Panel in Classic View) ► **Hardware and Sound ► Sound**. In the **Windows Sound** control panel select the **Recording** tab. If **USB Audio Codec** does not have a green "check mark" symbol next to it, right-click it and select "Set as Default Device". Select **Properties** and click the **Advanced** tab to select the Default Format, 44100 Hz or 48000 Hz.
- **Mac:** Click the upper-left "apple" icon then click **System Preferences ► Sound**. Click the **Input** tab. From the menu, select **USB PnP Audio Device** as the device.

## Setting Your Computer's Soundcard as the Default Playback Device

- **Windows 8:** From the **Start** menu, click the lower-left corner of the screen to bring yourself to the Desktop.  
In the bottom-right corner of the Taskbar, locate the Volume Control "Speaker" icon. Right-click the speaker and select **Playback Devices**. The **Windows Sound** control panel should appear set on the **Playback** tab. If your computer's soundcard does not have a green "check mark" symbol next to it, right-click it and select "Set as Default Device".
- **Windows 10:** Click **Start Menu ► Control Panel ► Sound**. Click the **Playback** tab and select your computer's soundcard as the default device.
- **Mac:** Click the upper-left "apple" icon then click **System Preferences ► Sound**. Click the **Output** tab. From the menu, select **Internal Speakers** if you are using the computer's internal speakers or select **Headphones** if you are using speakers or headphones attached to the computer's 1/8" headphone output.

**BEFORE RETURNING THE PRODUCT, please contact ION Audio or your retailer for technical support. Contact information can be found in the Safety Instruction Booklet included with this product.**

[ionaudio.com/support](http://ionaudio.com/support)

## Guía de inicio rápido (Español)

### Introducción

#### Contenido de la caja

Asegúrese de que todos los elementos abajo indicados estén incluidos en la caja.

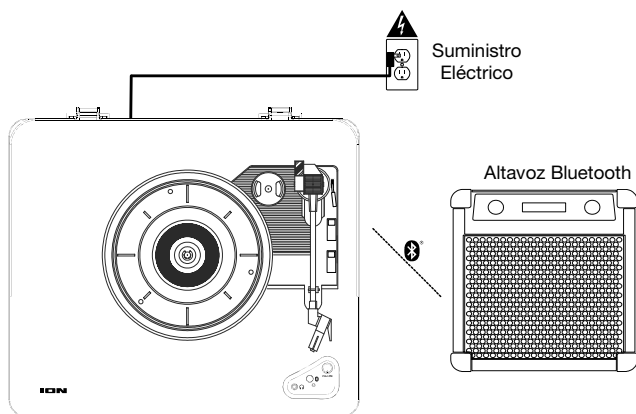
- Air LP
- 12V CC, 0,2 A Adaptador de alimentación (1,5 m / 5.0')
- Cubierta antipolvo
- Cable USB (1,5 m / 5.0')
- Cable RCA (1 m / 3.0')
- Cable auxiliar de 1/8 (3.5 mm) pulg
- Adaptador para 45 RPM
- Almohadillas antideslizantes de fieltro
- Tarjeta de descarga de software
- Guía de inicio rápido
- Manual sobre la seguridad y garantía

#### Soporte

Para obtener la información más completa acerca de este product (los requisitos del sistema, compatibilidad, etc) y registro del producto, visite [ionaudio.com](http://ionaudio.com).

#### Diagrama de conexión

Los elementos que no se enumeran en [Contenido de la caja](#) se venden por separado.





## Características

- Plato:** Coloque aquí su disco.
- Soporte del adaptador para 45 RPM:** Sostiene el adaptador para 45 RPM incluido. Cuando no use el adaptador, póngalo en este soporte.
- Brazo:** El brazo fijo se puede subir y bajar a mano o presionando la palanca de subir / bajar.
- Clip del brazo:** Este clip diseñado especialmente fija el brazo mientras está en reposo o no se usa. El clip ha sido diseñado para que permanezca hacia arriba mientras está desbloqueado.
- Palanca de subir / bajar:** Sube y baja el brazo.
- Conmutador de 33 / 45 / 78 RPM:** Este conmutador controla las RPM del plato del giradiscos.

**Nota:** Para obtener los mejores resultados al reproducir discos de vinilo de 78 RPM, use una púa para 78 (que se vende por separado). Use sólo una púa para 78 con los discos de vinilo de 78 RPM. Adquiera la púa para 78 iCT06rs en [ionaudio.com](http://ionaudio.com).

- Interruptor de parada automática:** Este interruptor activa y desactiva la parada automática. Cuando la parada automática está activada, el plato comienza a girar cuando el brazo se coloca sobre el disco y se detiene cuando llega al final del mismo. (Si está desactivada, el plato gira siempre, independientemente de la posición del brazo.)

**Nota:** Si su disco de vinilo se detiene antes de que llegue al final de la música, gire Autostop a la posición de apagado para este registro particular. Esto generalmente se recomienda para discos de 45 RPM.

- Conector para auriculares:** Conecte auriculares (que se venden por separado) para escuchar sus discos de vinilo.
- Botón Bluetooth:** Pulse este botón para comenzar el apareamiento Bluetooth. Si tras 5 minutos no puede encontrarse ningún altavoz Bluetooth con el cual aparearse, el transmisor Bluetooth se desactivará y el LED se apagará. Si está actualmente conectado, pulse este botón para desconectarlo del dispositivo Bluetooth actualmente conectado.
- LED Bluetooth:** Este LED parpadea al aparearse con un dispositivo Bluetooth. Una vez totalmente apareado, el LED permanecerá encendido. Este LED permanecerá apagado cuando el Bluetooth esté inactivo y cuando el Air LP esté apagado.

- Volumen:** Ajuste esto para controlar el nivel de salida del auricular y Bluetooth.

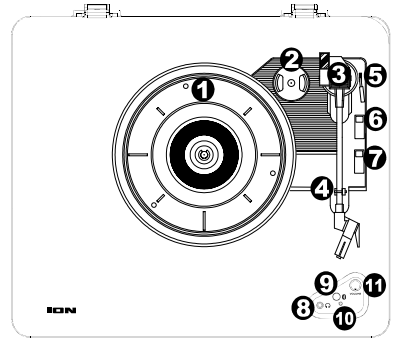
- Salida RCA\*:** El audio del disco de vinilo que se está reproduciendo se aplica a esta salida de audio RCA de nivel de línea. Esta salida no debe conectarse a dispositivos de nivel fonográfico.

- Salida de audio USB:** Use el cable USB incluido para conectar el giradiscos a su computadora. La conexión USB envía audio desde el giradiscos a su computadora. Para obtener información, consulte la sección [Cómo usar el Air LP con su computadora](#).

- Entrada del cavo de alimentación:** Use el adaptador incluido para conectarlo al tomacorriente de pared.

- Botón de encendido:** Pulse este botón para encender y apagar el Air LP. El giradiscos Air LP se reconectará con el último altavoz Bluetooth utilizado al encenderse, si se encuentra dentro del alcance.

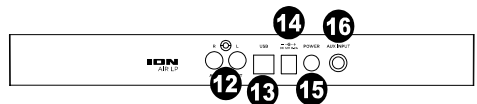
- Entrada auxiliary:** Conecte a esta entrada auxiliar estéreo de 1/8 pulg. un reproductor de CD, un reproductor de medios digitales u otra fuente de audio. El audio proveniente de la entrada Aux también se transmite por la conexión Bluetooth.



**IMPORTANTE:** Coloque la almohadilla antideslizante de fieltro incluida sobre el plato y coloque su disco encima de ella para que sus discos queden sostenidos cuidadosamente.

**IMPORTANTE:** Retire la cubierta plástica de la cápsula (cubierta de la púa) antes de hacer funcionar el giradiscos.

**\*ADVERTENCIA:** Las salidas RCA son para nivel de LÍNEA. Conéctelas sólo a las entradas de nivel de línea (LINE). Puede dañar el receptor si enchufa un dispositivo de nivel de línea en una entrada de nivel fonográfico (PHONO).



## Apareamiento del Air LP con un altavoz Bluetooth

El Air LP cuenta con un transmisor Bluetooth que transmite audio a un altavoz Bluetooth de forma inalámbrica.

1. Encienda su altavoz Bluetooth y asegúrese de que se encuentre en modo de apareamiento.
2. Encienda el giradiscos Air LP.
3. Pulse y suelte el botón de Bluetooth el Air LP para comenzar el apareamiento con su dispositivo Bluetooth. Una vez conectado con el altavoz Bluetooth, el LED Bluetooth del Air LP permanecerá iluminado. Su altavoz Bluetooth también debería indicar que está apareado.

**Nota:** Air LP se conectará con el altavoz Bluetooth más cercano. Si tras 5 minutos no puede encontrarse ningún altavoz Bluetooth con el cual aparearse, el transmisor Bluetooth se desactivará y el LED se apagará.

**Nota:** El alcance máximo se logra cuando se utilizan dispositivos con Bluetooth 4.0 o superior.

4. Reproduzca música en su giradiscos Air LP. Si está conectado con un altavoz Bluetooth con un botón reproducir/pausa y no escucha el audio, intente pulsar dicho botón.
5. Ajuste el volumen de su altavoz Bluetooth (si aplica) con la perilla de volumen del Air LP para controlar el nivel de salida.
6. Para desconectar el apareamiento, apague el giradiscos Air LP o apague el apareamiento Bluetooth en su altavoz Bluetooth.

**Nota:** Aleje otros receptores/altavoces Bluetooth fuera del alcance del Air LP (10 metros o más) para desconectarlos a fin de conectar su altavoz Bluetooth.

## Cómo usar el Air LP con su computadora

### Cómo grabar

Para grabar música en su ordenador, puede usar el EZ Vinyl/Tape Converter de ION y un cable USB. EZ Vinyl/Tape Converter guarda conveniente sus grabaciones en su computadora. Después de terminar de convertir su vinilo, puede quemarlo en CD o cargarlo en dispositivos de medios portátiles.

Siga las instrucciones de la tarjeta de descarga de software incluida para instalar el EZ Vinyl/Tape Converter.

1. Con EZ Vinyl/Tape Converter instalado en su computadora, use el cable USB incluido para conectar el puerto USB del Air LP a un puerto USB disponible de su computadora.
2. En su computadora, puede abrir EZ Vinyl/Tape Converter yendo al **menú Start ► All Programs (Inicio ► Todos los programas)** (Windows) o al menú **Applications** (Aplicaciones) (Mac).
3. Siga las instrucciones de la pantalla para preparar su grabación. Cuando se le indique que reproduzca su música, lleve el brazo del Air LP sobre el disco para iniciar la reproducción.

**Nota:** Para escuchar el disco mientras se reproduce, óigalo por los altavoces de su computadora o conecte las salidas RCA del Air LP a un sistema estéreo o altavoces alimentados. **No** las conecte a entradas de nivel fonográfico —las salidas RCA del Air LP son de nivel de línea y podrían dañar un dispositivo con entradas de nivel fonográfico.

4. Cuando termine de grabar, levante el brazo del Air LP del disco y colóquelo en su clip.

### Reproducción

Puede escuchar la música en su computadora a través de su altavoz interno o de auriculares conectados a la misma. (El Air LP no se puede usar como dispositivo de reproducción para el audio de su computadora.)

Para escuchar el **disco** mientras se reproduce, óigalo por los altavoces de su computadora o conecte las salidas RCA del Air LP a un sistema estéreo o altavoces alimentados. **No** las conecte a entradas de nivel fonográfico —las salidas RCA del Air LP son de nivel de línea y podrían dañar un dispositivo con entradas de nivel fonográfico.

## Solución de problemas

**Si experimenta alguna dificultad, consulte los pasos de solución de problemas que se indican a continuación, como también el manual de EZ Vinyl/Tape Converter incluido con este producto.**

Si está grabando en una **computadora**:

- o Asegúrese de que el Air LP esté encendido y que la púa esté sobre el disco.
- o Haga que el Air LP esté seleccionado como dispositivo de grabación predeterminado de su computadora (consulte las instrucciones de más abajo).
- o Si está escuchando por los altavoces de la computadora, asegúrese de que estos estén seleccionados como dispositivo de reproducción predeterminado de la misma (consulte las instrucciones de más abajo). Como alternativa, puede conectar las salidas RCA del Air LP a un sistema estéreo o altavoces alimentados. **No** las conecte a entradas de nivel fonográfico —las salidas RCA del Air LP son de nivel de línea y podrían dañar un dispositivo con entradas de nivel fonográfico.  
(Nota: Las salidas RCA monitorean la señal proveniente del giradiscos y no la señal proveniente de su computadora.)
- o Desconecte y vuelva a conectar el cable USB entre el Air LP y la computadora.

**No oigo ningún audio cuando reproduzco la música:**

- Si está reproduciendo la música de un **vinilo**:
  - o Asegúrese de que el Air LP esté encendido y que la púa esté sobre el disco.
  - o Conecte las salidas RCA del Air LP a un sistema estéreo o altavoces alimentados. (**No** las conecte a entradas de nivel fonográfico —las salidas RCA del Air LP son de nivel de línea y podrían dañar un dispositivo con entradas de nivel fonográfico.)
- Si está reproduciendo la música de la **computadora**:
  - o Asegúrese de que el volumen del reproductor de música del software esté ajustado a un valor alto.
  - o Asegúrese de que el volumen de su computadora esté ajustado a un valor alto.
  - o Asegúrese de que los altavoces de su computadora estén seleccionados como dispositivo de reproducción predeterminado de la misma (consulte las instrucciones de más abajo). (El Air LP no se puede usar como dispositivo de reproducción para el audio de su computadora.)

**Oigo un zumbido en mi altavoz o portátil cuando se usa el giradiscos:**

- Si está grabando en una laptop:
  - o Conecte la laptop a un suministro eléctrico con conexión a tierra (de 3 patas)
- Si está reproduciendo por un altavoz:
  - o Conecte el equipo a un suministro eléctrico con conexión a tierra (de 3 patas).

**Mi disco no se reproduce a la velocidad correcta. Su tono es demasiado alto o bajo:**

- o Asegúrese de que el interruptor 33 / 45 / 78 esté colocado en la velocidad correcta para su disco.

**Mi altavoz Bluetooth no se aparea con el Air LP.**

- o Apague o aleje a más de 10 metros otros altavoces Bluetooth cercanos de forma que el más cercano sea el que desee aparearse
- o Pulse y suelte el botón de Bluetooth del Air LP para desconectarlo del altavoz Bluetooth, y luego púlselo una vez más para intentar aparearlo nuevamente.
- o Apague y vuelva a encender el Air LP, y luego pulse su botón Bluetooth para intentar aparearlo nuevamente.
- o Utilice la perilla de volumen del Air LP para aumentar el nivel de salida de Bluetooth.

**Estoy conectado con un altavoz Bluetooth pero no escucho ningún audio.**

- o Si está conectado con un altavoz Bluetooth con un botón reproducir/pausa y no escucha el audio, intente pulsar dicho botón.

**Mi teléfono inteligente (smartphone) no se conecta con el giradiscos Air LP.**

- o El giradiscos Air LP funciona como un transmisor Bluetooth, transmitiendo el audio desde el Air LP hacia otros altavoces Bluetooth. El Air LP no funciona como un receptor Bluetooth que reproduce música desde su teléfono inteligente como si fuera unos auriculares o salidas RCA.

**El LED Bluetooth no para de parpadear.**

- o Una vez pulsado el botón Bluetooth, el Air LP intentará conectarse con los altavoces Bluetooth cercanos durante 5 minutos. Para detener el parpadeo del LED Bluetooth, reinicie el Air LP.

**Escucho estática en mis auriculares.**

- o Pulse el botón Bluetooth del Air LP para desconectarlo del altavoz Bluetooth apareado. Al escuchar el Air LP con auriculares, siempre asegúrese de que el Air LP no esté conectado a un altavoz Bluetooth al mismo tiempo.

## Cómo configurar el Air LP como dispositivo de grabación predeterminado

- **Windows 8:** Desde el menú **Start** (Inicio), haga clic en la esquina inferior izquierda de la pantalla para entrar al escritorio. En la esquina inferior derecha de la barra de tareas, localice el icono del "Altavoz" de control de volumen. Haga clic derecho en el altavoz y seleccione **Playback Devices** (Dispositivos de reproducción). En el panel de control **Windows Sound** (Sonido de Windows), seleccione la pestaña **Recording** (Grabación). Si **Dispositivo de audio USB PnP** no tiene el símbolo de la "marca de verificación" verde junto a él, haga clic derecho en el mismo y seleccione **Set as Default Device** (Configurar como dispositivo predeterminado).
- **Windows 10:** Haga clic en el menú **Start** (Inicio) ► **Control Panel** (Panel de control) (o **Settings** ► **Control Panel** [Configuración > Panel de control] en la vista clásica) ► **Hardware and Sound** (Hardware y sonido) ► **Sound** (Sonido). En el panel de control **Windows Sound** (Sonido de Windows), seleccione la pestaña **Recording**. Si el **Códec de audio USB** no tiene el símbolo de la "marca de verificación" verde junto a ella, haga clic derecho en la misma y seleccione "Set as Default Device" (Configurar como dispositivo predeterminado). Seleccione **Properties** (Propiedades) y haga clic en la pestaña **Advanced** (Avanzado) para seleccionar el formato predeterminado, 44100 o 48000 Hz.
- **Mac:** Haga clic en el icono superior izquierdo de la "manzana" y luego en **System Preferences** ► **Sound** (Preferencias del sistema ► Sonido). Haga clic en la pestaña **Input** (Entrada). En el menú, seleccione el **Dispositivo de audio USB PnP** como dispositivo.

## Cómo configurar la tarjeta de sonido de su computadora como dispositivo de reproducción predeterminado

- **Windows 8:** Desde el menú **Start** (Inicio), haga clic en la esquina inferior izquierda de la pantalla para entrar al escritorio. En la esquina inferior derecha de la barra de tareas, localice el icono del "Altavoz" de control de volumen. Haga clic derecho en el altavoz y seleccione **Playback Devices** (Dispositivos de reproducción). El panel de control **Windows Sound** (Sonido de Windows) debe aparecer ubicado en la pestaña **Playback** (Reproducción). Si la tarjeta de sonido de su computadora no tiene el símbolo de la "marca de verificación" verde junto a ella, haga clic derecho en la misma y seleccione **Set as Default Device** (Configurar como dispositivo predeterminado).
- **Windows 10:** Haga clic en el menú **Start** (Inicio) ► **Control Panel** (Panel de control) ► **Sound** (Sonido). Haga clic en la pestaña **Playback** (Reproducción) y seleccione la tarjeta de sonido de su ordenador como dispositivo predeterminado.
- **Mac:** Haga clic en el icono superior izquierdo de la "manzana" y luego en **System Preferences** ► **Sound** (Preferencias del sistema ► Sonido). Haga clic en la pestaña **Output** (Salida). En el menú, seleccione **Internal Speakers** (Altavoces internos) si va a usar los altavoces internos de la computadora o **Headphones** (Auriculares) si va a usar altavoces o auriculares conectados a la salida para auriculares de 1/8" de la computadora.

**ANTES DE DEVOLVER EL PRODUCTO, comuníquese con Ion Audio o con su vendedor minorista para solicitar soporte técnico. La información de contacto se encuentra en el folleto de instrucciones de seguridad incluido con este producto.**

[ionaudio.com/support](http://ionaudio.com/support)

# Guide d'utilisation rapide (Français)

## Introduction

### Contenu de la boîte

Assurez-vous que tous les articles énumérés dans le contenu de la boîte de ce guide sont inclus dans la boîte :

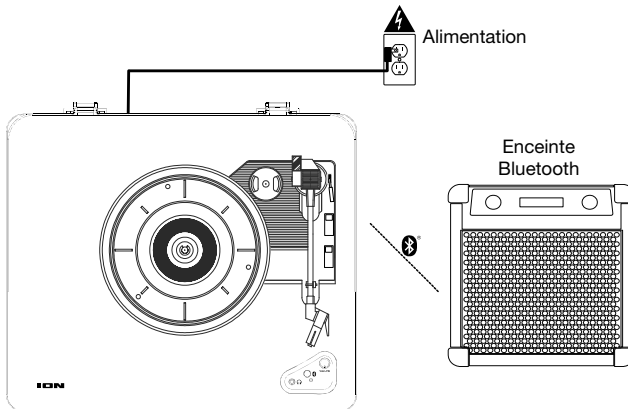
- Air LP
- 12V CC, 0.2 A Adaptateur d'alimentation (1.5 m / 5.0')
- Couvercle de protection
- Câble USB (1.5 m / 5.0')
- Câble RCA (1 m / 3.0')
- Câble auxiliaire de 1/8 (3.5 mm) po
- Adaptateur 45 t/min
- Tapis en feutre
- Carte de téléchargement de logiciel
- Guide d'utilisation rapide
- Consignes de sécurité et informations concernant la garantie

### Assistance

Pour les dernières informations concernant ce produit (la configuration système minimale requise, la compatibilité, etc) et l'enregistrement du produit, veuillez visitez le site [ionaudio.com](http://ionaudio.com).

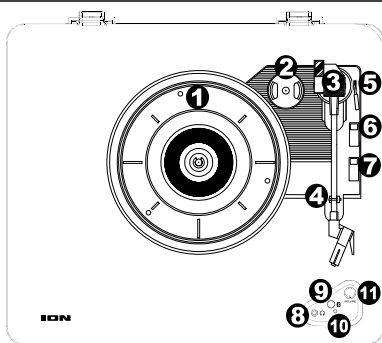
### Schéma de connexion

Les éléments qui ne figurent pas dans le **Contenu de la boîte** sont vendus séparément.



## Caractéristiques

- 1. Plateau :** Veuillez placer le disque sur ce plateau.
- 2. Rangement pour adaptateur 45 Tr/min :** Il permet de ranger l'adaptateur 45 tr/min lorsqu'il n'est pas utilisé. Lorsqu'il n'est pas utilisé, veuillez mettre l'adaptateur dans cet emplacement.
- 3. Bras de lecture :** Le bras de lecture peut être lever ou abaisser manuellement ou en utilisant le bouton du levier de commande.
- 4. Serre-bras :** Ce serre bras est conçu spécialement afin de maintenir en place le bras de lecture lorsque la platine n'est pas utilisée. Le serre-bras a été conçu pour rester en position élevée lorsqu'il est déverrouillé.
- 5. Levier de commande :** Permet de lever ou d'abaisser le bras de lecture.
- 6. Sélecteur de vitesse (33/45/78) :** Ce sélecteur régit la vitesse de rotation du plateau.



**Remarque :** Pour de meilleurs résultats lors de la lecture de disques vinyles de 78 tours, utilisez une pointe de lecture 78 (vendu séparément). Utilisez uniquement une pointe de lecture 78 pour les disques vinyles de 78 tours. Vous pouvez acheter une pointe de lecture iCT06rs 78 sur le site [ionaudio.com](http://ionaudio.com).

- 7. Autostop :** Ce commutateur permet d'activer et de désactiver la fonction autostop. Lorsqu'elle est activée, le plateau commence à tourner dès que le bras de lecture est placé au-dessus du disque et s'arrête lorsque l'aiguille a atteint la fin du disque. (Lorsqu'elle est désactivée, le plateau tourne, peu importe l'emplacement du bras de lecture.)

**Remarque :** Si votre disque vinyle s'arrête avant qu'il n'atteigne la fin de la musique, tournez Autostop en position d'arrêt pour ce dossier en particulier. C'est généralement recommandé pour 45 tours.

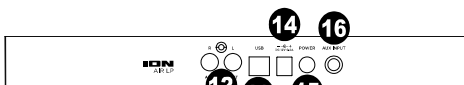
- 8. Sortie casque :** Branchez un casque d'écoute (vendu séparément) pour écouter l'audio provenant du disque vinyle.
- 9. Touche Bluetooth :** Appuyez sur cette touche pour lancer le jumelage Bluetooth. Si après 5 minutes, aucune enceinte Bluetooth n'est détectée, l'émetteur Bluetooth devient inactif et la DEL s'éteint. Lorsqu'une enceinte est déjà connectée, cette touche permet de supprimer la connexion Bluetooth.
- 10. DEL Bluetooth :** Cette DEL clignote lors du jumelage d'un appareil Bluetooth. Une fois l'appareil connecté, la DEL reste allumée. La DEL est éteinte lorsque la connexion Bluetooth est inactive, et lorsque la platine vinyle Air LP est hors tension.

**IMPORTANT :** Placez le tapis de feutrine fourni sur le plateau ; placez ensuite votre disque sur le tapis pour maintenir en place vos disques.

**IMPORTANT :** Retirez le couvercle de plastique de la cartouche (protège aiguille) avant d'utiliser la platine.

**\*MISE EN GARDE :** Les sorties RCA sont à niveau ligne. Veuillez ne les brancher à des entrées à niveau ligne. Vous pourriez endommager votre récepteur si un appareil À NIVEAU LIGNE est branché à une entrée PHONO.

- 11. Volume :** Ce bouton permet de régler le niveau de la sortie casque et de la sortie de Bluetooth.
- 12. Sortie RCA\* :** L'audio provenant du disque vinyle est envoyé à cette sortie audio RCA à niveau ligne. Elle ne doit pas être branchée aux appareils phono.



- 13. Sortie audio USB :** Utilisez le câble USB inclus pour brancher la platine tourne-disque à un ordinateur. La connexion USB permet d'acheminer l'audio de la platine tourne disque à votre ordinateur. Veuillez consulter la section [Utilisation de l'Air LP avec un ordinateur](#) de ce manuel pour de plus amples informations.
- 14. Entrée du câble d'alimentation :** Utilisez le câble d'alimentation inclus pour brancher l'Air LP dans une prise d'alimentation.
- 15. Interrupteur d'alimentation :** Cette touche permet de mettre l'Air LP sous et hors tension. Au démarrage, la platine vinyle Air LP se reconnecte automatiquement à la dernière enceinte Bluetooth connectée, lorsque celle-ci est à portée.
- 16. Entrée auxiliaire :** Cette entrée stéréo 3,5 mm permet de brancher un lecteur de disques compacts, un lecteur multimédia ou autres sources audio. Le signal audio provenant de l'entrée auxiliaire est également transmis via une connexion Bluetooth.

## Jumelage de la platine vinyle Air LP à une enceinte Bluetooth

La platine vinyle Air LP dispose d'un émetteur Bluetooth afin de transmettre le signal audio sans fil vers une enceinte Bluetooth.

1. Mettez l'enceinte Bluetooth sous tension et assurez-vous qu'elle est en mode jumelage.
2. Mettez la platine vinyle Air LP sous tension.
3. Enfoncez puis relâchez la touche Bluetooth de la platine vinyle Air LP afin de jumeler votre appareil Bluetooth. Lorsque la platine vinyle Air LP est connectée à l'enceinte Bluetooth, la DEL Bluetooth devient bleue. Votre enceinte Bluetooth devrait également indiquer qu'elle est connectée.

**Remarque :** La platine vinyle Air LP se connecte à l'enceinte Bluetooth la plus proche. Si après 5 minutes, aucune enceinte Bluetooth n'est détectée, l'émetteur Bluetooth devient inactif et la DEL s'éteint.

**Remarque :** La plage maximale peut être atteinte avec l'utilisation d'appareils dotés de Bluetooth 4.0 ou de versions ultérieures.

4. Lancez la lecture de la musique sur la platine vinyle Air LP. Si la platine est connectée à une enceinte Bluetooth dotée d'une touche lecture/pause, et que vous n'entendez pas de signal audio, essayez d'appuyer sur la touche lecture/pause.
5. Réglez le volume sur l'enceinte Bluetooth (s'il y a lieu), ou le bouton Volume de la platine Air LP afin d'ajuster le niveau de sortie.
6. Pour supprimer la connexion, mettez la platine Air LP hors tension ou désactivez le mode jumelage Bluetooth sur l'enceinte Bluetooth.

**Remarque :** Déplacez les autres récepteurs/enceintes Bluetooth hors de la portée de la platine Air LP (9,1 m ou plus) ou les mettre hors tension afin de connecter votre enceinte Bluetooth.

## Utilisation de l'Air LP avec un ordinateur

### Enregistrement

Pour enregistrer de la musique sur votre ordinateur, vous pouvez utiliser l'application EZ Vinyl/Tape Converter d'ION et un câble USB. Le EZ Vinyl/Tape Converter permet de sauvegarder vos enregistrements dans sur votre ordinateur. Une fois la conversion du vinyle terminée, vous pouvez graver les fichiers sur CD ou les transférer sur des lecteurs multimédia.

Veillez suivre les instructions sur la carte de téléchargement de logiciel afin d'installer le EZ Vinyl/Tape Converter.

1. Une fois l'application EZ Vinyl/Tape Converter installée sur votre ordinateur, connectez le port USB de l'Air LP au port USB de votre ordinateur à l'aide du câble USB inclus.
2. Sur votre ordinateur, vous pouvez lancer l'application EZ Vinyl/Tape Converter en allant dans le menu **Démarrer ▶ Tous les programmes** (Windows) ou dans le menu **Applications** (Mac).
3. Suivez ensuite les instructions à l'écran afin de configurer l'enregistrement. Lorsque vous êtes invité à faire jouer votre musique, déplacez le bras de lecture de l'Air LP sur le disque afin de démarrer la lecture.

**Remarque :** Pour écouter un disque durant la lecture, vous pouvez utiliser les haut-parleurs de votre ordinateur, ou encore brancher les sorties RCA de l'Air LP à une chaîne stéréo ou à des haut-parleurs. **Ne tentez pas** de les brancher à des entrées phono ; les sorties RCA de l'Air LP sont à niveau ligne et pourraient endommager un appareil phono.

4. Une fois l'enregistrement terminé, soulevez le bras de lecture et remettez-le sur le serre-bras.

### Lecture

Vous pouvez écouter de la musique sur votre ordinateur par l'intermédiaire de ses haut-parleurs internes ou en branchant un casque d'écoute. (L'Air LP ne peut être utilisé comme périphérique de lecture pour votre ordinateur.)

Pour écouter un **disque** durant la lecture, vous pouvez utiliser les haut-parleurs de votre ordinateur, ou encore brancher les sorties RCA de l'Air LP à une chaîne stéréo ou à des haut-parleurs. **Ne tentez pas** de les brancher à des entrées phono ; les sorties RCA de l'Air LP sont à niveau ligne et pourraient endommager un appareil phono.

## Guide de dépannage

Si vous éprouvez des difficultés, veuillez consulter les consignes de dépannage ci-dessous ainsi que celles dans le guide du EZ Vinyl/Tape Converter inclus avec ce produit.

Si vous enregistrez sur un **ordinateur** :

- o Assurez-vous que l'Air LP est allumé et que l'aiguille est bien sur le disque.
- o Assurez-vous que l'Air LP est sélectionné comme périphérique d'enregistrement par défaut de votre ordinateur (voir les instructions ci-dessous).
- o Si vous écoutez la musique via les haut-parleurs de votre ordinateur, assurez-vous que ces haut-parleurs sont sélectionnés comme dispositif de lecture par défaut de votre ordinateur (voir les instructions ci-dessous). Vous pourriez également brancher les sorties RCA de l'Air LP à une chaîne stéréo ou à des haut-parleurs. **Ne tentez pas** de les brancher à des entrées phono ; les sorties RCA de l'Air LP sont à niveau ligne et pourraient endommager un appareil phono. (**Remarque** : Les sorties RCA contrôlent le signal sortant de la platine tourne-disque, mais pas le signal provenant de votre ordinateur).
- o Essayez de débrancher le câble USB branché à l'Air LP et à votre ordinateur, puis de le rebrancher.

**Je n'entends pas de signal audio lors de la lecture :**

- Si vous faites la lecture à partir d'un **vinyle** :
  - o Assurez-vous que l'Air LP est allumé et que l'aiguille est bien sur le disque.
  - o Branchez les sorties RCA de l'Air LP à une chaîne stéréo ou à des haut-parleurs. (**Ne tentez pas** de les brancher à des entrées phono ; les sorties RCA de l'Air LP sont à niveau ligne et pourraient endommager un appareil phono.
- Si vous faites la lecture à partir de votre **ordinateur** :
  - o Assurez-vous que le niveau du volume de l'application soit assez élevé.
  - o Assurez-vous que le niveau du volume de l'ordinateur soit assez élevé.
  - o Assurez-vous que les haut-parleurs de votre ordinateur soient sélectionnés comme dispositif de lecture par défaut de votre ordinateur (voir les instructions ci-dessous). (L'Air LP ne peut être utilisé comme périphérique de lecture pour votre ordinateur.)

**Il y a un bourdonnement provenant de mon haut-parleur, ordinateur portable ou appareil iOS lorsque j'utilise la platine tourne-disque :**

- Si vous enregistrez sur un ordinateur :
  - o Veuillez brancher l'ordinateur à un câble d'alimentation avec mise à la terre (3 broches).
- Si vous utilisez un haut-parleur :
  - o Veuillez brancher le haut-parleur à un câble d'alimentation avec mise à la terre (3 broches).

**Mon disque ne joue pas à la bonne vitesse, la tonalité est trop haute ou trop basse :**

- o Veuillez vous assurer que le sélecteur de vitesse 33 / 45 / 78 est réglé sur la bonne vitesse pour votre enregistrement.

**L'enceinte Bluetooth que je désire utiliser ne parvient pas à se connecter à la platine vinyle Air LP.**

- o Désactivez ou déplacez toutes les autres enceintes Bluetooth à plus de 9,1 m afin que seulement l'enceinte Bluetooth que vous souhaitez utiliser puisse se jumeler à la platine.
- o Appuyez et relâchez le bouton Bluetooth de la platine Air LP pour supprimer la connexion à l'enceinte Bluetooth, puis réappuyez une fois de plus pour relancer le processus de jumelage.
- o Éteignez la platine Air LP, puis rallumez-la et appuyez sur le bouton Bluetooth afin de relancer le processus de jumelage.
- o Utilisez le bouton volume de la platine Air LP afin d'augmenter le niveau de sortie Bluetooth.

**L'enceinte Bluetooth est connectée, mais il n'y a aucun signal audio.**

- o Si la platine est connectée à une enceinte Bluetooth dotée d'une touche lecture/pause, et que vous n'entendez pas de signal audio, essayez d'appuyer sur la touche lecture/pause.

**Mon smartphone ne parvient pas à se connecter à la platine vinyle Air LP.**

- o La platine vinyle Air LP agit comme un émetteur Bluetooth en transmettant son signal vers d'autres enceintes Bluetooth. La platine vinyle Air LP ne peut agir comme récepteur et transmettre de la musique de votre smartphone vers un casque ou les sorties RCA.

**La DEL Bluetooth ne cesse de clignoter.**

- o Une fois que vous appuyez sur la touche Bluetooth, la platine vinyle Air LP tente de se connecter aux enceintes Bluetooth à proximité pendant 5 minutes. Pour arrêter le clignotement de la DEL Bluetooth, effectuez une remise sous tension de la platine vinyle Air LP.

**Il y a de l'interférence dans le casque d'écoute.**

- o Appuyez sur le bouton Bluetooth de la platine Air LP pour supprimer la connexion à l'enceinte Bluetooth. Lorsque vous écoutez la musique de la platine Air LP avec un casque, veuillez vous assurer que la platine Air LP n'est pas connecté à une enceinte Bluetooth.



## Configurez le Air LP comme l'appareil d'enregistrement par défaut

- **Windows 8** : Dans le menu **Démarrer**, cliquez sur le coin inférieur gauche de l'écran pour afficher le bureau. Dans le coin inférieur droit de la barre des tâches, recherchez l'icône de la commande de volume « haut-parleur ». Faites un clic droit sur l'icône du haut-parleur et sélectionnez **Périphériques de lecture**.  
Sélectionnez l'onglet **Enregistrement** dans le haut de la fenêtre du panneau de configuration **Son**. Si **Périphérique audio USB PnP** ne dispose pas d'un crochet, faites un clic droit et sélectionnez **Définir comme périphérique par défaut**.
- **Windows 10** : Cliquez sur Démarrer ► Panneau de configuration (ou Paramètres ► Panneau de configuration en Affichage classique) ► **Matériel et audio** ► **Son**. Dans le panneau de configuration **Son Windows**, sélectionnez l'onglet **Enregistrement**. Si le champs **USB Audio Codec** ne dispose pas d'un crochet, faites un clic droit et sélectionnez « Définir comme périphérique par défaut ». Sélectionnez **Propriétés** et cliquez sur l'onglet **Avancé** afin de sélectionner le format par défaut, 44 100 Hz ou 48 000 Hz.
- **Mac** : Cliquez sur la pomme (logo Apple) située dans le coin supérieur gauche de l'écran et sélectionnez **Préférences Système** ► **Sons**. Cliquez sur l'onglet **Entrée**. À partir du menu, sélectionnez **Périphérique audio USB PnP** comme appareil par défaut.

## Configuration de la carte son de l'ordinateur comme périphérique de lecture audio par défaut

- **Windows 8** : Dans le menu **Démarrer**, cliquez sur le coin inférieur gauche de l'écran pour afficher le bureau. Dans le coin inférieur droit de la barre des tâches, recherchez l'icône de la commande de volume « haut-parleur ». Faites un clic droit sur l'icône du haut-parleur et sélectionnez **Périphériques de lecture**. L'onglet **Lecture** du panneau de configuration **Sons** doit apparaître comme étant configuré. Si la carte son de votre ordinateur ne dispose pas d'un crochet, faites un clic droit et sélectionnez **Définir comme périphérique par défaut**.
- **Windows 10** : Cliquez sur **Démarrer** ► **Panneau de configuration** ► **Son**. Cliquez sur l'onglet **Lecture** et sélectionnez la carte son de l'ordinateur comme périphérique de lecture audio par défaut.
- **Mac** : Cliquez sur la pomme (logo Apple) située dans le coin supérieur gauche de l'écran et sélectionnez **Préférences Système** ► **Sons**. Cliquez sur l'onglet **Sortie**. À partir du menu, sélectionnez **Haut-parleurs internes** si vous utilisez les haut-parleurs internes de l'ordinateur, ou sélectionnez **Écouteurs** si vous utilisez des haut-parleurs ou un casque d'écoute branchés à la sortie casque (1/8 po) de votre ordinateur.

**AVANT DE RETOURNER CE PRODUIT**, veuillez communiquer avec le service technique de ION Audio ou votre détaillant pour de l'assistance. Vous trouverez les coordonnées pour nous rejoindre dans le livret des Consignes de sécurité inclus avec ce produit.

[ionaudio.com/support](http://ionaudio.com/support)

## Guida rapida (Italiano)

### Introduzione

#### Contenuti della confezione

Assicurarsi che gli elementi elencati di seguito siano contenuti nella confezione:

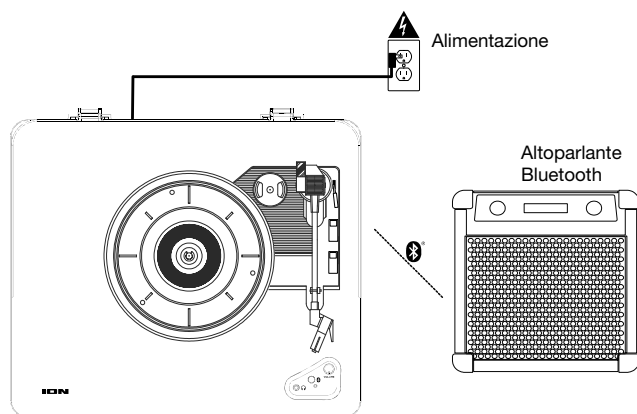
- Air LP
- 12V CC, 0.2A Adattatore di alimentazione (1.5 m / 5.0')
- Coperchio antipolvere
- Cavo USB (1.5 m / 5.0')
- Cavo RCA (1 m / 3.0')
- Cavo Aux da 1/8" (3.5 mm)
- Adattatore 45 giri
- Tappetino in feltro
- Scheda per il download del software
- Guida rapida
- Istruzioni di sicurezza e garanzia

#### Assistenza

Per conoscere le ultime informazioni in merito a questo prodotto (i requisiti di sistema complete, compatibilità, ecc) e per la registrazione del prodotto, recarsi alla pagina [ionaudio.com](http://ionaudio.com).

#### Schema dei collegamenti

Elementi non elencati sotto **Contenuti della confezione** sono venduti separatamente.



## Caratteristiche

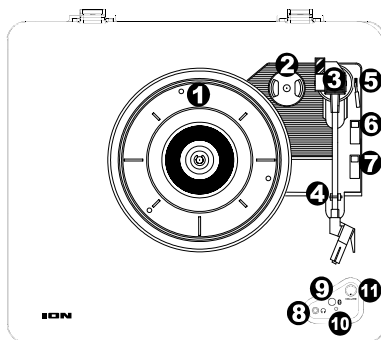
- Piatto:** Il disco va collocato qui.
- Supporto adattatore 45 giri:** Regge l'incluso adattatore per 45 giri. Quando l'adattatore non è in uso, può essere collocato a questo livello.
- Braccio:** Il braccio fisso può essere alzato e abbassato a mano, oppure premendo la levetta di sollevamento / abbassamento.
- Fermabraccio:** Questo fermabraccio dal design speciale fissa il braccio quando è a riposo o quando non è in uso. Il fermabraccio è stato progettato in modo da restare sollevato quando sbloccato.
- Levetta di sollevamento / abbassamento:** Alza e abbassa il braccio.
- Interruttore 33 / 45 / 78 giri:** Questo interruttore regola i GIRI del piatto del giradischi.

**Nota bene:** per i migliori risultati durante la riproduzione di dischi in vinile a 78 giri, servirsi di una puntina 78 (venduta separatamente). Servirsi unicamente di una puntina 78 con dischi in vinile a 78 giri. Acquistare la puntina 78 ICT06rs sulla pagina [ionaudio.com](http://ionaudio.com).

- Interruttore Autostop:** Questo interruttore accende o spegne la funzione di arresto automatico. Quando la funzione "autostop" è attiva, il piatto inizia a girare quando il braccio è posato sul disco e smette di girare quando il disco arriva alla fine. (Quando la funzione autostop è disattiva, il piatto continuerà a girare, indipendentemente dalla posizione del braccio.)

**Nota:** Se il vostro record di vinile si ferma prima di raggiungere il fine della musica, ruotare Autostop in posizione off per questo particolare record. Questo è generalmente consigliato per 45 giri.

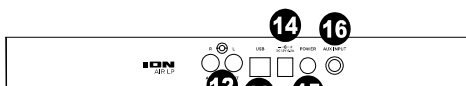
- Jack cuffie:** Collegare le cuffie (vendute separatamente) a questo livello per ascoltare la riproduzione dei propri vinili.
- Tasto Bluetooth:** Premere questo tasto per avviare il collegamento Bluetooth. Se dopo 5 minuti non è possibile individuare altoparlanti Bluetooth cui collegarsi, il trasmettitore Bluetooth diventerà inattivo e il LED si spegnerà. Se attualmente collegati, premere il tasto per scollegare un dispositivo Bluetooth attualmente collegato.
- LED Bluetooth:** Questo LED lampeggia durante il collegamento a un dispositivo Bluetooth. Una volta collegato, il LED rimarrà fisso. Il LED sarà spento quando il Bluetooth è inattivo e quando l'Air LP è spento.
- Volume:** Regolare questo comando per controllare il livello di uscita delle cuffie e Bluetooth.
- Uscita RCA\*:** L'audio di un vinile riprodotto è inviato a questa uscita audio RCA a livello di linea. Questa non va collegata a dispositivi a livello phono.
- Uscita Audio USB:** Servirsi del cavo USB in dotazione per collegare il giradischi al computer. Il collegamento USB invierà audio dal giradischi al computer. Si veda il paragrafo [Uso dell'Air LP col computer](#) di questo manuale per maggiori informazioni.
- Ingresso cavo di alimentazione:** Servirsi dell'adattatore in dotazione per collegarsi ad una presa a parete.
- Interruttore di alimentazione:** Premere questo tasto per accendere o spegnere l'Air LP. Il giradischi Air LP all'accensione si ricollega all'ultimo altoparlante Bluetooth utilizzato, se è entro la portata del dispositivo.
- Ingresso Aux:** collegare un lettore CD, un lettore di media digitali o altre fonti audio a questo ingresso ausiliario stereo da 1/8". L'audio proveniente dall'ingresso Aux è a sua volta trasmesso tramite un collegamento Bluetooth.



**IMPORTANTE:** collocare il tappetino in feltro in dotazione sul piatto; quindi posizionare il disco sul tappetino in modo che venga retto in maniera accurata.

**IMPORTANTE:** rimuovere il cappuccio della cartuccia (copripuntina) prima di utilizzare il giradischi.

**\*AVVERTENZA:** le uscite RCA sono a livello di LINEA. Collegarle unicamente a ingressi a livello di LINEA. Si rischia di danneggiare il ricevitore collegando un dispositivo a livello di LINEA in un ingresso PHONO.



## Collegamento dell'Air LP a un altoparlante Bluetooth

L'Air LP dispone di un trasmettitore Bluetooth per l'invio di audio a un altoparlante Bluetooth senza fili.

1. Accendere l'altoparlante Bluetooth e assicurarsi che si trovi in modalità di collegamento.
2. Accendere il giradischi Air LP.
3. Premere e rilasciare il tasto Bluetooth sull'Air LP per avviare il collegamento del dispositivo Bluetooth. Una volta collegato l'Air LP all'altoparlante Bluetooth, il LED Bluetooth sarà blu fisso. L'altoparlante Bluetooth dovrebbe a sua volta indicare di essere collegato.

**Nota bene:** l'Air LP si collegherà all'altoparlante Bluetooth più vicino. Se dopo 5 minuti non è possibile individuare altoparlanti Bluetooth cui collegarsi, il trasmettitore Bluetooth diventerà inattivo e il LED si spegnerà.

**Nota bene:** la portata massima si ottiene servendosi di dispositivi dotati di Bluetooth 4.0 o superiore.

4. Riprodurre musica sul giradischi Air LP. Se si è collegati a un altoparlante Bluetooth dotato di tasto play/pause e non si sente alcun audio, provare a premere il tasto play/pause.
5. Regolare il volume dell'altoparlante Bluetooth (se applicabile) o la manopola Volume sull'Air LP per controllare il livello di uscita.
6. Per annullare il collegamento, spegnere il giradischi Air LP o il collegamento Bluetooth sull'altoparlante Bluetooth.

**Nota bene:** spostare altri ricevitori/altoparlanti Bluetooth fuori dalla portata dell'Air LP (10 metri o più) o spegnerli per collegare l'altoparlante Bluetooth.

## Uso di Air LP con il computer

### Registrazione

Per registrare musica sul computer, è possibile utilizzare il programma ION EZ Vinyl/Tape Converter e un cavo USB. L'EZ Vinyl/Tape Converter salva comodamente le registrazioni sul computer. Una volta terminato di convertire il vinile, lo si può masterizzare su un CD o caricare su dispositivi media portatili.

Seguire le istruzioni presenti nella scheda di download del software in dotazione per installare l'EZ Vinyl/Tape Converter.

1. Una volta installato l'EZ Vinyl/Tape Converter sul computer, servirsi del cavo USB in dotazione per collegare la porta USB di Air LP ad una porta USB disponibile del computer.
2. Sul computer, è possibile aprire l'EZ Vinyl/Tape Converter recandosi su **Start ► Tutti i programmi** (Windows) o su **Applicazioni** (Mac).
3. Seguire le istruzioni su schermo per configurare la registrazione. Quando viene richiesto di riprodurre la musica, muovere il braccio di Air LP sul disco per iniziare la riproduzione.

**Nota bene:** per ascoltare un disco mentre viene riprodotto, servirsi degli altoparlanti del computer o collegare le uscite RCA di Air LP a un impianto stereo o a delle casse. **Non** collegarle a ingressi a livello phono: le uscite RCA di Air LP sono a livello di linea e potrebbero danneggiare un dispositivo con ingressi a livello phono.

4. Una volta terminato di registrare, alzare il braccio di Air LP dal disco e riportarlo sul poggibraccio.

### Riproduzione

È possibile ascoltare la musica sul computer tramite l'altoparlante interno o tramite un paio di cuffie ad esso collegate (il Air LP non può essere utilizzato come dispositivo di riproduzione dell'audio del computer).

Per ascoltare un **disco** mentre viene riprodotto, servirsi degli altoparlanti del computer o collegare le uscite RCA di Air LP a un impianto stereo o a delle casse. **Non** collegarle a ingressi a livello phono: le uscite RCA di Air LP sono a livello di linea e potrebbero danneggiare un dispositivo con ingressi a livello phono.

## Risoluzione di problemi

**In caso di problemi, fare riferimento alle fasi di risoluzione dei problemi indicate qui di seguito, nonché a quanto indicato nel manuale dell'EZ Vinyl/Tape Converter in dotazione con il presente prodotto.**

Se si sta registrando su un **computer**:

- Assicurarsi che il Air LP sia acceso e che la puntina sia sul disco.
- Assicurarsi che sia selezionato come periferica di registrazione predefinita del computer (si vedano le istruzioni qui di seguito).
- Se si ascolta tramite le casse del computer, assicurarsi che queste siano selezionate come periferica di riproduzione predefinita del computer (si vedano le istruzioni qui di seguito). Alternativamente, collegare le uscite RCA di Air LP ad un impianto stereo o ad altoparlanti. **Non** collegarle a ingressi a livello phono: le uscite RCA di Air LP sono a livello di linea e potrebbero danneggiare un dispositivo con ingressi a livello phono. (**Nota bene:** le uscite RCA monitorano il segnale che esce dal giradischi, non quello proveniente dal computer.)
- Scollegare e ricollegare inoltre il cavo USB che unisce il Air LP al computer.

**Non sento alcun audio durante la riproduzione di musica:**

- Se si riproduce musica da **vinile**:
  - Assicurarsi che l'Air LP sia acceso e che la puntina sia sul disco.
  - Collegare le uscite RCA dell'Air LP ad un impianto stereo o ad altoparlanti. (**Non** collegarle a ingressi a livello phono: le uscite RCA dell'Air LP sono a livello di linea e potrebbero danneggiare un dispositivo con ingressi a livello phono.)
- Se si riproduce musica dal **computer**:
  - Assicurarsi che il volume del lettore musicale software sia acceso.
  - Assicurarsi che il volume del computer sia acceso.
  - Assicurarsi che le casse del computer siano selezionate come periferica di riproduzione predefinita del computer (si vedano le istruzioni qui di seguito). (L'Air LP non può essere utilizzato come periferica di riproduzione per l'audio del computer.)

**Durante l'uso del giradischi sento un ronzio tramite l'altoparlante o il portatile.**

- Se si sta registrando su un computer portatile:
  - collegare il computer ad un'alimentazione con messa a terra (3 denti)
- Se si sta riproducendo musica con un altoparlante:
  - collegare il dispositivo ad un'alimentazione con messa a terra (3 denti).

**Il mio disco non suona alla giusta velocità; il pitch è troppo alto o troppo basso:**

- Assicurarsi che l'interruttore 33 / 45 / 78 sia impostato sulla velocità giusta per il disco specifico.

**L'altoparlante Bluetooth che voglio non si collega all'Air LP.**

- Spegnerlo o spostare altri altoparlanti Bluetooth nelle vicinanze a oltre 10 metri in modo che solo l'altoparlante Bluetooth più vicino desiderato si colleghi.
- Premere e rilasciare il tasto Bluetooth dell'Air LP per scollegarlo dall'altoparlante Bluetooth, quindi premerlo nuovamente per collegarlo ancora.
- Spegnerlo l'Air LP e riaccenderlo, quindi premere il tasto Bluetooth per collegarlo nuovamente.
- Servirsi della manopola volume dell'Air LP per alzare il livello dell'uscita Bluetooth.

**Sono collegato a un altoparlante Bluetooth, ma non sento alcun audio.**

- Se si è collegati a un altoparlante Bluetooth dotato di tasto play/pause e non si sente alcun audio, provare a premere il tasto play/pause.

**Il mio smartphone non si collega al giradischi Air LP.**

- Il giradischi Air LP agisce da trasmettitore Bluetooth inviando l'audio dall'Air LP ad altri altoparlanti Bluetooth. Il giradischi Air LP non può agire da ricevitore Bluetooth e riprodurre musica dallo smartphone su cuffie o uscite RCA.

**Il LED Bluetooth non smette di lampeggiare.**

- Una volta premuto il tasto Bluetooth, l'Air LP cercherà di collegarsi agli altoparlanti Bluetooth più vicini per 5 minuti. Per interrompere il lampeggio del LED Bluetooth riaccendere l'Air LP.

**Sento rumore statico in cuffia.**

- Premere il tasto Bluetooth dell'Air LP per scollegarlo da un altoparlante Bluetooth collegato. Quando si ascolta l'Air LP con le cuffie, assicurarsi sempre che l'Air LP non sia collegato a un altoparlante Bluetooth allo stesso tempo.

## Configurare l'Air LP come dispositivo di registrazione predefinito

- **Windows 8:** Nel menu **Start**, cliccare sull'angolo inferiore sinistro dello schermo per passare al Desktop. Nell'angolo inferiore destro della Barra delle applicazioni, individuare l'icona "Speaker" di controllo del Volume. Fare click col tasto destro del mouse e selezionare **Dispositivi di riproduzione**. Nel pannello di controllo **Audio di Windows** selezionare la scheda **Registrazione**. Se il **Dispositivo audio PnP USB** non presenta un segno di spunta verde, fare click col destro e selezionare **Imposta come dispositivo predefinito**.
- **Windows 10:** Cliccare sul menu **Start** ► **Pannello di controllo** (o Impostazioni ► Pannello di controllo nella vista Classica) ► **Hardware e suoni** ► **Suoni**. Nel pannello di controllo **Audio di Windows** selezionare la scheda **Registrazione**. Se l'**USB Audio Codec** non presenta un segno di spunta verde, fare click col destro e selezionare "Imposta come dispositivo predefinito". Selezionare **Proprietà** e cliccare sulla scheda **Avanzate** per selezionare il formato predefinito, 44100 Hz o 48000 Hz.
- **Mac:** Cliccare sull'icona della "mela" in alto a sinistra, quindi cliccare su **Preferenze di sistema** ► **Audio**. Fare clic sulla scheda **Input**. Dal menu, selezionare **Dispositivo audio PnP USB** come periferica.

## Configurazione della scheda audio del computer come dispositivo di riproduzione predefinito

- **Windows 8:** Nel menu **Start**, cliccare sull'angolo inferiore sinistro dello schermo per passare al Desktop. Nell'angolo inferiore destro della Barra delle applicazioni, individuare l'icona "Speaker" di controllo del Volume. Fare click col tasto destro del mouse e selezionare **Dispositivi di riproduzione**. Il pannello di controllo **Audio di Windows** dovrebbe comparire sulla scheda **Riproduzione**. Se la scheda audio del computer non presenta un segno di spunta verde, fare click col destro e selezionare **Imposta come dispositivo predefinito**.
- **Windows 10:** Cliccare sul menu **Start** ► **Pannello di controllo** ► **Audio**. Cliccare sulla scheda **Riproduzione** e selezionare la scheda audio del computer come periferica predefinita.
- **Mac:** Cliccare sull'icona della "mela" in alto a sinistra, quindi cliccare su **Preferenze di sistema** ► **Audio**. Cliccare sulla scheda **Output**. Nel menu, selezionare **Internal Speakers** se si utilizzano le casse interne del computer o **Cuffie** se si utilizzano casse o cuffie collegate all'uscita cuffie da 1/8" del computer.

**PRIMA DI RENDERE QUESTO PRODOTTO**, contattare ION Audio o il proprio rivenditore per ricevere assistenza tecnica. I dati di contatto si trovano nel libretto di istruzioni di sicurezza in dotazione con il prodotto.

[ionaudio.com/support](http://ionaudio.com/support)

# Schnellstart-Anleitung (Deutsch)

## Einführung

### Lieferumfang

Vergewissern Sie sich, dass alle hier angeführten Komponenten in der Schachtel enthalten sind:

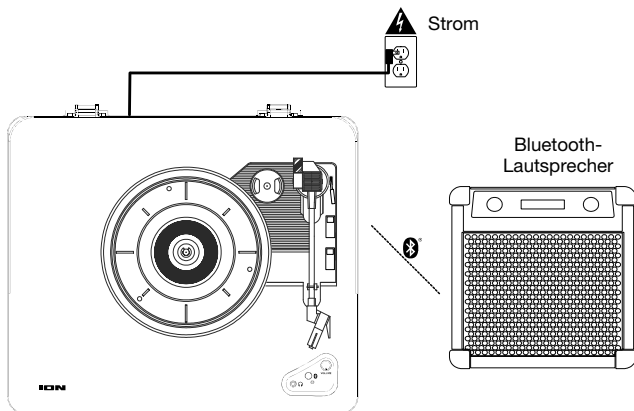
- Air LP
- 12V DC, 0.2A Netzteil (1.5 m / 5.0')
- Staubabdeckung
- USB-Kabel (1.5 m / 5.0')
- RCA-Kabel (1 m / 3.0')
- 1/8" (3.5 mm) Aux-Kabel
- 45 RPM Adapter
- Filz-Slipmat
- Software-Download-Karte
- Schnellstart-Anleitung
- Sicherheitshinweise und Garantieinformationen

### Kundendienst

Für aktuell die neuesten Informationen zu diesem Produkt (Systemanforderungen, Informationen zur Kompatibilität etc.) und zur Produktregistrierung besuchen Sie [ionaudio.com](http://ionaudio.com).

### Anschlussdiagramm

Teile, die nicht im **Lieferumfang** angegeben sind, sind separat erhältlich.



**Funktionen**

1. **Plattenteller:** Hier platzieren Sie Ihre Schallplatte.
2. **45 RPM-Adapterhalterung:** Sichert den mitgelieferten 45 RPM-Adapter. Wenn Sie den Adapter nicht verwenden, legen Sie ihn bitte in diese Haltevorrichtung.
3. **Tonarm:** Der fixe Tonarm kann mit der Hand oder durch Drücken des entsprechenden Hebels angehoben und abgesenkt werden.
4. **Arm-Clip:** Dieser speziell entworfene Arm-Clip sichert den Tonarm, wenn er nicht verwendet wird. Der Arm-Clip wurde so entwickelt, dass er in der oberen Position bleibt, wenn er entsperrt ist.
5. **Hebel:** Hebt und senkt den Tonarm.
6. **33 / 45 / 78 RPM-Schalter:** Regelt die Geschwindigkeit (RPM) des Plattentellers.

**Hinweis:** Für die Wiedergabe von 78 RPM Schallplatten verwenden Sie idealerweise eine 78 RPM-Nadel (separat erhältlich). Verwenden Sie für 78 RPM Schallplatten ausschließlich 78 RPM-Nadeln. Kaufen Sie eine iCT06rs 78 Nadel auf [ionaudio.com](http://ionaudio.com).

7. **Autostop-Schalter:** Dieser Schalter schaltet Autostop an oder aus. Wenn Autostop eingeschaltet ist, wird der Plattenteller zu rotieren beginnen, sobald der Tonarm über die Schallplatte gelegt wird und stoppen, wenn die Platte das Ende erreicht hat. (Wenn Autostop ausgeschaltet ist, wird sich der Plattenteller immer und unabhängig von der Position des Tonarms drehen.)

**Hinweis:** Wenn der Vinyl-Schallplatte stoppt, bevor sie das Ende der Musik erreicht, schalten Sie Autostop in die Position für diesen bestimmten Datensatz. Dieser ist in der Regel für 45 RPM Records empfohlen.

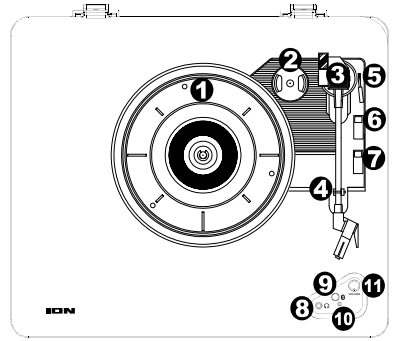
8. **Kopfhörerbuchse:** Schließen Sie Kopfhörer an (separat erhältlich), um Ihre Schallplatten anzuhören.
9. **Bluetooth-Taste:** Drücken Sie diese Taste, um die Bluetooth-Verbindung zu starten. Wenn nach 5 Minuten keine Bluetooth-Lautsprecher für eine Verbindung gefunden werden können, wird der Bluetooth-Sender inaktiv und die LED erlischt. Wenn die Geräte derzeit verbunden sind, drücken Sie diese Taste, um alle derzeit verbundenen Bluetooth-Geräte zu trennen.
10. **Bluetooth-LED:** Diese LED blinkt, wenn eine Verbindung zu einem Bluetooth-Gerät hergestellt wird. Ist eine Verbindung vollständig hergestellt, leuchtet die LED durchgehend. Die LED erlischt, wenn Bluetooth deaktiviert wurde und Air LP ausgeschaltet ist.
11. **Lautstärk:** Passen Sie dies an, um den Ausgangspegel von Kopfhörer und Bluetooth einzustellen.

12. **Cinch-Ausgang\*:** Die Audiosignale von einer Vinyl-Schallplatte, die gerade abgespielt wird, wird an diesen Line-Level-RCA-Ausgang gesendet. Dieser darf nicht mit Phono-Level-Geräten verbunden werden.

13. **USB-Audioausgang:** Schließen Sie Ihren Plattenspieler mit dem mitgelieferten USB-Kabel an Ihren Computer an. Die USB-Verbindung sendet das Audiosignal vom Plattenspieler an Ihren Computer. Bitte beachten Sie den Abschnitt **So verwenden Sie Air LP mit Ihrem Computer** in diesem Handbuch für weitere Informationen.
14. **Netzkabel-Eingang:** Verwenden Sie den mitgelieferten Adapter, um ihn mit einer Steckdose zu verbinden.

15. **Ein-/Ausschalter:** Drücken Sie diese Taste, um Air LP ein- oder auszuschalten. Beim Einschalten des Air LP Plattenspielers wird wieder die Verbindung zum zuletzt verwendeten Bluetooth-Lautsprecher hergestellt, falls sich dieser in Reichweite befindet.

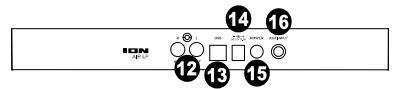
16. **Aux-Eingang:** Schließen Sie einen CD-Player, digitalen Medien-Player oder eine andere Audioquelle an diesen 1/8" AUX-Stereoeingang an. Das Audiosignal vom Aux-Eingang wird ebenfalls über eine Bluetooth-Verbindung übertragen.



**WICHTIG:** Legen Sie die mitgelieferte Filz-Slipmat auf den Plattenteller. Anschließend legen Sie Ihre Platte auf die Filz-Slipmat, um einen sicheren Sitz zu gewährleisten.

**WICHTIG:** Entfernen Sie die Kunststoffabdeckung des Tonabnehmers (Nadelabdeckung) bevor Sie den Plattenspieler verwenden.

**\*WARNUNG:** Die Cinch-Ausgänge sind line-pegel. Bitte nur verbinden um line-pegel Eingängen. Sie könnten beschädigen Ihre Empfänger wenn Sie Verbindung Die Cinch-Ausgänge des Air LP sind zu einem Phono-Eingängen.





## Den Air LP mit einem Bluetooth-Lautsprecher koppeln

Der Air LP hat einen Bluetooth-Sender, um Audiosignale drahtlos an einen Bluetooth-Lautsprecher zu senden.

1. Schalten Sie Ihren Bluetooth-Lautsprecher ein, um sicherzustellen, dass er sich im Koppel-Modus befindet.
2. Schalten Sie den Air LP Plattenspieler ein.
3. Drücken Sie kurz auf die Bluetooth-Taste am Air LP, um eine Verbindung zu Ihrem Bluetooth-Gerät herzustellen. Sobald der Air LP mit einem Bluetooth-Lautsprecher verbunden ist, wird die Bluetooth-LED durchgehend blau leuchten. Auch Ihr Bluetooth-Lautsprecher sollte anzeigen, dass er gekoppelt wurde.

**Hinweis:** Ihr Air LP wird mit dem nächstgelegenen Bluetooth-Lautsprecher gekoppelt. Wenn nach 5 Minuten kein Bluetooth-Lautsprecher für eine Verbindung gefunden werden kann, wird der Bluetooth-Sender inaktiv und die LED erlischt.

**Hinweis:** Die maximale Reichweite wird erzielt, wenn Sie Geräte mit Bluetooth 4.0 oder höher verwenden.

4. Spielen Sie Musik auf Ihrem Air LP Plattenspieler. Wenn Sie mit einem Bluetooth-Lautsprecher mit einer Wiedergabe-/Pause-Taste verbunden sind und keinen Ton hören, drücken Sie die Wiedergabe-/Pause-Taste.
5. Stellen Sie die Lautstärke auf Ihrem Bluetooth-Lautsprecher (falls vorhanden) ein oder verwenden Sie den Lautstärkeregler am Air LP, um den Ausgangspegel anzupassen.
6. Schalten Sie den Air LP Plattenspieler aus oder schalten Sie Bluetooth auf Ihrem Bluetooth-Lautsprecher aus.

**Hinweis:** Bringen Sie andere Bluetooth-Empfänger/-Lautsprecher außer Reichweite des Air LP (mindestens 30') oder schalten Sie sie ab, um eine Verbindung mit Ihrem Bluetooth-Lautsprecher herzustellen.

## So verwenden Sie Air LP mit Ihrem Computer

### Aufnahme

Um Musik mit Ihrem Computer aufzunehmen, können Sie ION EZ Vinyl/Tape Converter und ein USB-Kabel verwenden. EZ Vinyl/Tape Converter speichert Ihre Aufnahmen direkt mit Ihrem Computer. Nachdem Sie Ihre Schallplatten konvertiert haben, können Sie sie auf CD brennen oder auf tragbare Mediengeräte laden.

Folgen Sie den Anweisungen auf der mitgelieferten Software-Download-Karte zur Installation des EZ Vinyl/Tape Converter.

1. Wenn Sie EZ Vinyl/Tape Converter auf Ihrem Computer installiert haben, verwenden Sie das mitgelieferte USB-Kabel, um den USB-Port des Air LP mit einem freien USB-Port Ihres Computers zu verbinden.
2. Um EZ Vinyl/Tape Converter auf Ihrem Computer zu öffnen, wählen Sie **Startmenü ► Alle Programme** (Windows) oder das **Anwendungen**-Menü (Mac).
3. Befolgen Sie die Anweisungen auf dem Bildschirm, um Ihre Aufnahme vorzubereiten. Wenn Sie aufgefordert werden, Ihre Musik zu spielen, bringen Sie den Tonarm des Air LP über die Platte und starten die Wiedergabe.

**Hinweis:** Um sich eine Platte während der Wiedergabe anzuhören, können Sie die Lautsprecher Ihres Computers verwenden oder die Cinch-Ausgänge des Air LP an eine Stereoanlage oder Aktivlautsprecher anschließen. Verbinden Sie sie **nicht** mit Phono-Eingängen; Die Cinch-Ausgänge des Air LP sind Line-Verbindungen und könnten ein Gerät mit Phono-Eingängen beschädigen.

4. Wenn Sie die Aufnahme beendet haben, heben Sie den Air LP-Tonarm von der Platte und setzen ihn zurück in den Arm-Clip.

### Wiedergabe

Sie können die Musik auf Ihrem Computer über seine internen Lautsprecher oder über die angeschlossenen Kopfhörer hören. (Air LP kann nicht als Abspielgerät für Audio Ihres Computers verwendet werden.)

Um eine **Platte** während der Wiedergabe anzuhören, können Sie die Lautsprecher Ihres Computers verwenden oder die Cinch-Ausgänge des Air LP an eine Stereoanlage oder Aktivlautsprecher anschließen. Verbinden Sie sie **nicht** mit Phono-Eingängen; Die Cinch-Ausgänge des Air LP sind Line-Verbindungen und könnten ein Gerät mit Phono-Eingängen beschädigen.

## Fehlerbehebung

**Wenn Sie Schwierigkeiten mit dem Produkt haben, lesen Sie bitte die unten aufgeführten Schritte zur Fehlerbehebung und das mitgelieferte EZ Vinyl/Tape Converter Handbuch.**

Wenn Sie auf einen **Computer** aufnehmen:

- o Stellen Sie sicher, dass Air LP eingeschaltet und die Nadel auf der Schallplatte ist.
- o Stellen Sie sicher, dass Air LP in Ihrem Computer als standardmäßiges Aufnahmegerät ausgewählt ist (siehe Anleitung unten).
- o Wenn Sie die Lautsprecher Ihres Computers verwenden, stellen Sie sicher, dass diese Lautsprecher als standardmäßige Wiedergabe-Geräte Ihres Computer ausgewählt sind (siehe Anleitung unten). Alternativ können Sie die Cinch-Ausgänge des Air LP an eine Stereoanlage oder an Aktivlautsprecher anschließen. Verbinden Sie sie **nicht** mit Phono-Eingängen; Die Cinch-Ausgänge des Air LP sind Line-Verbindungen und könnten ein Gerät mit Phono-Eingängen beschädigen. (**Hinweis:** Die Cinch-Ausgänge überwachen das Signal vom Plattenspieler, nicht das Signal Ihres Computers.)
- o Stecken Sie auch das USB-Kabel, das den Air LP mit Ihrem Computer verbindet, zuerst ab und anschließend wieder ein.

**Ich kann bei der Musikwiedergabe nichts hören:**

- Wenn Sie **Vinylplatten** spielen:
  - o Stellen Sie sicher, dass Air LP eingeschaltet und die Nadel auf der Schallplatte ist.
  - o Verbinden Sie die Cinch-Ausgänge des Air LP mit einer Stereoanlage oder mit Aktivlautsprechern. (Verbinden Sie sie **nicht** mit Phono-Eingängen; Die Cinch-Ausgänge des Air LP sind Line-Verbindungen und könnten ein Gerät mit Phono-Eingängen beschädigen.)
- Wenn Sie Musik von Ihrem **Computer** spielen:
  - o Achten Sie darauf, dass die Lautstärke Ihres Musik-Players aufgedreht ist.
  - o Achten Sie darauf, dass die Lautstärke Ihres Computers aufgedreht ist.
  - o Achten Sie darauf, dass die Lautsprecher Ihres Computers als standardmäßiges Wiedergabe-Gerät für Ihren Computer ausgewählt sind (siehe Anleitung unten). (Air LP kann nicht als Abspielgerät für Audio Ihres Computers verwendet werden.)

**Wenn ich den Plattenspieler verwende, höre ich ein Summen durch meine Lautsprecher, oder meinen Laptop**

- Wenn Sie mit einem Laptop aufnehmen:
  - o Bitte verbinden Sie den Laptop an eine geerdete Stromquelle (3 polig)
- Wenn Sie über einen Lautsprecher spielen:
  - o Bitte verbinden Sie diesen mit einer geerdeten (3 poligen) Stromquelle.

**Meine Schallplatte wird nicht mit der richtigen Geschwindigkeit wiedergegeben. Die Tonlage ist zu hoch oder zu tief:**

- o Stellen Sie sicher, dass der 33/45/78-Schalter für diese Schallplatte auf die entsprechende Geschwindigkeit eingestellt ist.

**Der gewünschte Bluetooth-Lautsprecher kann keine Verbindung zum Air LP herstellen.**

- o Schalten Sie in der Nähe befindliche Bluetooth-Lautsprecher aus oder verschieben Sie andere Bluetooth-Lautsprecher mehr als 30', so dass nur der gewünschte nächste Bluetooth-Lautsprecher gekoppelt wird.
- o Drücken Sie kurz auf die Bluetooth-Taste des Air LP, um das Gerät vom Bluetooth-Lautsprecher zu trennen.
- o Drücken Sie erneut auf diese Taste, um nocheinmal zu versuchen, eine Verbindung herzustellen.
- o Schalten das Air LP aus und wieder ein. Drücken Sie anschließend die Bluetooth-Taste, um erneut zu versuchen, eine Verbindung herzustellen.
- o Verwenden Sie den Lautstärkeregler am Air LP, um den Bluetooth-Ausgangspegel anzupassen.

**Ich bin mit einem Bluetooth-Lautsprecher verbunden, höre aber keinen Ton.**

- o Wenn Sie mit einem Bluetooth-Lautsprecher mit einer Wiedergabe-/Pause-Taste verbunden sind und keinen Ton hören, drücken Sie die Wiedergabe-/Pause-Taste.

**Mein Smartphone kann keine Verbindung zum Air LP Plattenspieler herstellen.**

- o Der Air LP Plattenspieler agiert als Bluetooth-Sender und sendet die Audiosignale vom Air LP an andere Bluetooth-Lautsprecher. Der Air LP Plattenspieler kann nicht als Bluetooth-Empfänger agieren und Musik von Ihrem Smartphone über Kopfhörer oder Cinch-Ausgänge abspielen.

**Die Bluetooth-LED wird kontinuierlich blinken.**

- o Sobald die Bluetooth-Taste gedrückt wird, wird Air LP versuchen mit den nächstgelegenen Bluetooth-Lautsprechern innerhalb von 5 Minuten eine Verbindung herzustellen. Um die blinkende Bluetooth-LED zu stoppen, schalten Sie Air LP aus und wieder ein.

**Ich höre Störgeräusche in meinen Kopfhörern.**

- o Drücken Sie die Bluetooth-Taste am Air LP, um es von einem gekoppelten Bluetooth-Lautsprecher zu trennen. Wenn Sie Kopfhörer verwenden, achten Sie stets darauf, dass das Air LP nicht gleichzeitig mit einem Bluetooth-Lautsprecher verbunden ist.

## Air LP als Standard-Aufnahmegerät einstellen

- **Windows 8:** Klicken Sie im **Startmenü** auf die linke untere Ecke des Bildschirms, um zum Desktop zu gelangen. Klicken Sie in der rechten unteren Ecke der Taskleiste auf das "Lautsprechersymbol". Klicken Sie mit der rechten Maustaste auf den Lautsprecher und wählen **Wiedergabegeräte**. In der Windows-Systemsteuerung für **Sound** wählen Sie die Registerkarte **Aufnahme**. Wenn neben **USB PnP-Audiogerät** kein grünes "Häkchen"-Symbol angezeigt wird, klicken Sie mit der rechten Maustaste auf Air LP und wählen **Als Standardgerät festlegen**.
- **Windows 10:** Klicken Sie auf **Startmenü** ► **Systemsteuerung** (oder Einstellungen ► Systemsteuerung in der klassischen Ansicht) ► **Hardware und Sound** ► **Ton**. In der **Windows-Systemsteuerung** für Sound wählen Sie die Registerkarte **Aufnahme**. Wenn neben **USB Audio Codec** kein grünes „Häkchen“-Symbol angezeigt wird, klicken Sie mit der rechten Maustaste auf das Gerät und wählen „Als Standardgerät festlegen“. Wählen Sie **Eigenschaften** aus und klicken Sie auf die Registerkarte **Erweitert**, um das Standardformat 44100 Hz oder 48000 Hz auszuwählen.
- **Mac:** Klicken Sie auf das obere linke "Apfel"-Symbol und klicken dann auf **Systemeinstellungen** ► **Ton**. Klicken Sie auf die Registerkarte **Input**. Wählen Sie **USB PnP-Audiogerät** im Menü als Gerät aus.

## So stellen Sie die Soundkarte des Computers als ihres Standardwiedergabegerät ein

- **Windows 8:** Klicken Sie im **Startmenü** auf die linke untere Ecke des Bildschirms, um zum Desktop zu gelangen. Klicken Sie in der rechten unteren Ecke der Taskleiste auf das "Lautsprechersymbol". Klicken Sie mit der rechten Maustaste auf den Lautsprecher und wählen **Wiedergabegeräte**. Die Windows-Systemsteuerung für **Sound** sollte nun unter der Registerkarte **Wiedergabe** aufscheinen. Wenn neben der Soundkarte Ihres Computers kein grünes "Häkchen"-Symbol aufscheint, klicken Sie mit der rechten Maustaste auf die Soundkarte und wählen **Als Standardgerät festlegen**.
- **Windows 10:** Wählen Sie **Startmenü** ► **Systemsteuerung** ► **Ton**. Klicken Sie auf die Registerkarte **Wiedergabe** und wählen Ihre Computer-Soundkarte als Standardgerät.
- **Mac:** Klicken Sie auf das obere linke "Apfel"-Symbol und klicken dann auf **Systemeinstellungen** ► **Ton**. Klicken Sie auf die Registerkarte **Ausgabe**. Aus dem Menü wählen Sie **Interne Lautsprecher**, wenn Sie die internen Computerlautsprecher verwenden oder **Kopfhörer**, wenn Sie Lautsprecher oder Kopfhörer verwenden, die über den 1/8"-Kopfhörerausgang an den Computer angeschlossen sind.

**BEVOR SIE DIESES PRODUKT EINSENDEN, kontaktieren Sie bitte ION Audio oder Ihren Händler für technischen Support. Die Kontaktinformationen finden Sie in den Sicherheitshinweisen, die diesem Produkt beiliegen.**

[ionaudio.com/support](http://ionaudio.com/support)

## Snelstartgids (Nederlands)

### Introductie

#### Inhoud van de doos

Controleer of de doos de onderstaande onderdelen bevat:

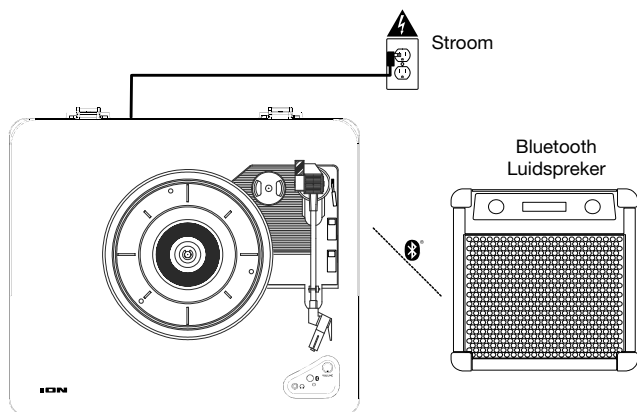
- Air LP
- 12V DC, 0.2A Stroomadapter (1.5 m / 5.0')
- Stofkap
- USB-kabel (1.5 m / 5.0')
- RCA-kabel (1 m / 3.0')
- Aux-kabel van 1/8" (3.5 mm)
- 45 TPM adapter
- Vilten slipmat
- Kaart voor softwaredownloads
- Snelstartgids
- Veiligheids-en garantie handleiding

#### Ondersteuning

Voor de laatste informatie over dit product (systeemvereisten, compatibiliteitsinformatie, enz.) en productregistratie, bezoek [ionaudio.com](http://ionaudio.com).

#### Aansluitschema

Artikelen die niet zijn opgesomd in **Inhoud van de doos** worden afzonderlijk verkocht.



## Kenmerken

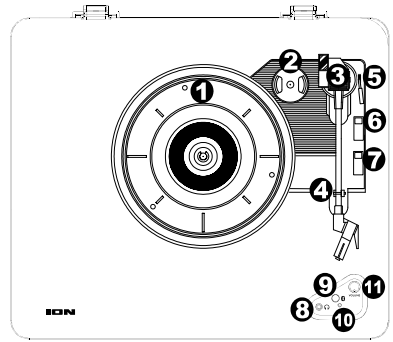
- Draaitafel:** leg hierop uw plaat.
- Houder 45-toerenadapter:** houder voor de meegeleverde 45-toerenadapter. Plaats de adapter in de houder wanneer u hem niet gebruikt.
- Toonarm:** De vaste toonarm kunt u met de hand optillen of laten zakken, of door de hendel omhoog/omlaag in te drukken.
- Armsteun:** deze speciaal ontworpen armsteun beveiligd de toonarm in rustpositie of wanneer hij niet wordt gebruikt. De armsteun werd ontworpen om in de hoogste positie te blijven wanneer hij ontgrendeld is.
- Hendel zakken/opheffen:** heft de toonarm op en laat hem zakken.
- Schakelaar 33 / 45 / 78 Toeren:** deze schakelaar controleert het toerental van de draaitafel.

**Opmerking:** Gebruik voor optimale resultaten bij het afspelen van 78-toerenplaten een naald voor 78 toeren (wordt afzonderlijk verkocht). Gebruik alleen een naald voor 78 toeren met 78-toerenplaten. Koop op [ionaudio.com](http://ionaudio.com) de iCT06rs naald voor 78 toeren.

- Autostop-schakelaar:** deze schakelaar zet autostop aan of uit. Wanneer autostop aan staat, begint de draaitafel te draaien van zodra de toonarm zich boven de plaat bevindt en stopt ze met draaien wanneer de plaat haar einde heeft bereikt. (Wanneer autostop afstaat, blijft de draaitafel altijd draaien, ongeacht de positie van de toonarm.)

**Opmerking:** Als je vinyl stopt voordat het einde van de muziek bereikt, draai met autostop naar de stand voor dit specifieke record. Dit wordt over het algemeen aanbevolen voor 45-toeren platen.

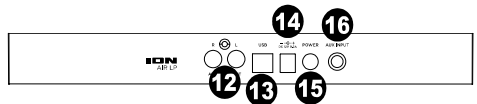
- Koptelefooningang:** sluit hier een koptelefoon aan (afzonderlijk verkrijgbaar) om naar uw plaat te luisteren.
- Bluetooth-knop:** druk op deze knop om koppelen via Bluetooth te starten. Als na vijf minuten geen Bluetooth-luidspreker wordt gevonden om mee te koppelen, dan wordt de Bluetooth-zender inactief en stopt de led met branden. Als er al een verbinding met een Bluetooth-apparaat bestaat, druk dan op deze knop om de verbinding hiermee te verbreken.
- Bluetooth-led:** deze led gaat knipperen tijdens het koppelen met een bluetooth-apparaat. Zodra de koppeling is voltooid, blijft de led branden. De led gaat uit wanneer Bluetooth inactief is en wanneer de Air LP uit staat.
- Volume:** Dit bijregelen om het uitgangsniveau van koptelefoon en Bluetooth te bedienen.
- RCA-uitgang\*:** de audio van een spelende vinylplaat wordt gestuurd naar deze RCA audio-uitgang op lijnniveau. Hij mag niet op apparaten met phono-niveau worden aangesloten.
- USB-audiouitgang:** gebruik de meegeleverde USB-kabel om uw draaitafel op uw computer aan te sluiten. De USB-verbinding verstuurt het audiosignaal van de draaitafel naar uw computer. Zie hoofdstuk [Gebruik Air LP met uw computer](#) van deze handleiding voor informatie.
- Stroomkabel-ingang:** gebruik de meegeleverde stroomadapter om het apparaat aan te sluiten op het stroomnet.
- Aan/Uit-schakelaar:** druk op deze knop om de Air LP aan of uit te zetten. De Air LP draaitafel maakt bij het inschakelen opnieuw verbinding met uw laatst gebruikte Bluetooth-luidspreker, als deze zich binnen het bereik bevindt.
- Aux-ingang:** Sluit op deze stereo aux-ingang van 1/8" een cd-speler, digitale mediaspeler of andere geluidsbron aan. Ook de audio van de Aux-ingang wordt verzonden via een Bluetooth-verbinding.



**BELANGRIJK:** Plaats de meegeleverde viltenslipmat op de draaitafel. Leg vervolgens uw plaat op deze viltenslipmat, zodat uw plaat goed blijft liggen.

**BELANGRIJK:** Verwijder het plastic kapje van de naald (naaldbescherming) voor de draaitafel aan te zetten.

**\*WAARSCHUWING:** De RCA-uitgangen zijn op LIJNNIVEAU. Verbind deze enkel met ingangen op LIJNNIVEAU. U kunt uw receiver beschadigen indien u een apparaat op LIJNNIVEAU aansluit op een PHONO-ingang.



## Air LP koppelen met een Bluetooth-luidspreker

Air LP beschikt over een Bluetooth-zender om audio draadloos te versturen naar een Bluetooth-luidspreker.

1. Zet uw Bluetooth-luidspreker aan en controleer of deze zich in koppelingsmodus bevindt.
2. De Air LP-draaitafel inschakelen.
3. De Bluetooth-knop op Air LP indrukken en loslaten om het koppelingsproces met uw Bluetooth-apparaat op te starten. Zodra Air LP verbinding heeft gemaakt met de Bluetooth-luidspreker, blijft de Bluetooth-led branden (blauw). Ook uw Bluetooth-luidspreker moet de succesvolle koppeling aangeven.

**Opmerking:** Air LP maakt verbinding met de dichtstbijzijnde Bluetooth-luidspreker. Als na vijf minuten geen Bluetooth-luidspreker wordt gevonden om mee te koppelen, dan wordt de Bluetooth-zender inactief en stopt de led met branden.

**Opmerking:** Voor een maximumbereik moeten apparaten met Bluetooth 4.0 of hoger worden gebruikt.

4. Muziek afspelen op uw Air LP draaitafel. Als u verbinding hebt gemaakt met een Bluetooth-luidspreker met een knop afspelen/pauzeren en u hoort geen geluid, druk dan op de knop afspelen/pauzeren.
5. Pas het volume aan op uw Bluetooth-luidspreker (indien van toepassing) of met de volumeknop van de Air LP als u het uitgangsniveau wilt bedienen.
6. Om de koppeling te verbreken: de Air LP draaitafel uitzetten of koppelen via Bluetooth op uw Bluetooth-luidspreker uitschakelen.

**Opmerking:** Om verbinding te maken met uw Bluetooth-luidspreker: andere Bluetooth-ontvangers/luidsprekers buiten het bereik van de Air LP plaatsen (10 m of verder) of uitzetten.

## Gebruik van Air LP met uw computer

### Opnemen

Voor het opnemen van muziek op uw computer kunt u gebruik maken van de ION EZ Vinyl/Tape Converter en een USB-kabel. EZ Vinyl/Tape Converter slaat uw opnamen op een handige manier op uw computer. Na het omzetten van uw vinylplaten, kunt u ze op cd branden of opladen op draagbare muziekspelers.

Volg de instructies op de meegeleverde kaart voor软件下载 om EZ Vinyl/Tape Converter te installeren.

1. Wanneer EZ Vinyl/Tape Converter op uw computer is geïnstalleerd, gebruikt u de meegeleverde USB-kabel om de USB-poort van de Air LP aan te sluiten op een vrije USB-poort op uw computer.
2. Op uw computer kunt de EZ Vinyl/Tape Converter openen door te klikken op **Startmenu ► Alle programma's** (Windows) of op het menu **Toepassingen** (Mac).
3. Volg de instructies op het scherm voor het instellen van de opname. Wanneer u wordt gevraagd om uw muziek af te spelen, beweegt u de toonarm van de Air LP over de plaat om het afspelen te starten.

**Opmerking:** Om tijdens het afspelen te luisteren naar een plaat: luister via de luidsprekers van uw computer of sluit de RCA-uitgangen van de Air LP aan op een stereo-installatie of actieve luidsprekers. Verbind ze **niet** met phono-ingangen; de RCA-uitgangen van de Air LP staan ingesteld op lijnniveau en kunnen een apparaat met ingangen op phono-niveau beschadigen.

4. Wanneer u klaar bent met de opname, heft u de toonarm van de Air LP van de plaat en plaatst u hem terug op de armsteun.

### Afspelen

U kunt luisteren naar de muziek op uw computer via de interne luidsprekers of een aangesloten hoofdtelefoon. (Air LP kan niet worden gebruikt als een afspeelapparaat voor audio van uw computer.)

Om tijdens het afspelen te luisteren naar een **plaat**: luister via de luidsprekers van uw computer of sluit de RCA-uitgangen van de Air LP aan op een stereo-installatie of actieve luidsprekers. *Verbind ze **niet** met phono-ingangen; de RCA-uitgangen van de Air LP staan ingesteld op lijnniveau en kunnen een apparaat met ingangen op phono-niveau beschadigen.*

## Problemen oplossen

**Als u problemen ondervindt, raadpleeg dan de onderstaande stappen voor probleemoplossing evenals die in de handleiding van de EZ Vinyl/Tape Converter bij dit product.**

Als u opneemt op een **computer**:

- o Zorg ervoor dat de Air LP is ingeschakeld en dat de naald op de plaat staat.
- o Zorg ervoor dat Air LP op uw computer als standaard opname-apparaat staat ingesteld (zie de instructies hieronder).
- o Als u luistert via de luidsprekers van uw computer, zorg er dan voor dat die luidsprekers op uw computer als standaard afspeelapparaat zijn ingesteld (zie de instructies hieronder). U kunt ook de RCA-uitgangen van de Air LP aansluiten op een stereosysteem of actieve luidsprekers. *Verbind ze **niet** met phono-ingangen; de RCA-uitgangen van de Air LP staan ingesteld op lijnniveau en kunnen een apparaat met ingangen op phono-niveau beschadigen. (Opmerking: de RCA-uitgangen monitoren het signaal dat uit de draaitafel komt, niet het signaal dat uit uw computer komt.)*
- o U dient ook de USB-kabel die de Air LP met uw computer verbindt eerst te ontkoppelen en daarna weer aan te sluiten.

**Ik hoor geen geluid wanneer ik muziek afspeel:**

- Als u muziek afspeelt vanaf **vinyl**:
  - o Zorg ervoor dat de Air LP is ingeschakeld en dat de naald op de plaat staat.
  - o Sluit de RCA-uitgangen van de Air LP aan op een stereo-installatie of actieve luidsprekers. *(Verbind ze **niet** met phono-ingangen; de RCA-uitgangen van de Air LP staan ingesteld op lijnniveau en kunnen een apparaat met ingangen op phono-niveau beschadigen.)*
- Als u muziek afspeelt vanaf uw **computer**:
  - o Zorg ervoor dat de volumeknop van het programma dat uw muziek afspeelt hoog genoeg staat.
  - o Zorg ervoor dat de volumeknop van uw computer hoog genoeg staat.
  - o Zorg ervoor dat de luidsprekers van uw computer als standaard afspeelapparaat zijn ingesteld (zie de instructies hieronder). (Air LP kan niet worden gebruikt als afspeelapparaat voor het geluid van uw computer.)

**Ik hoor een bromtoon door mijn speaker of laptop bij gebruik van de draaitafel:**

- Als u opneemt op een laptop:
  - o Sluit de laptop aan op een geaard stopcontact (drie draden)
- Als u de plaat afspeelt door een speaker:
  - o Sluit aan op een geaard stopcontact (drie draden).

**Mijn plaat draait niet aan de correcte snelheid; de klank is te hoog of te laag:**

- o Controleer of de schakelaar 33/45/78 op de correcte snelheid voor uw plaat staat.

**De Bluetooth-luidspreker die ik wil maakt geen koppeling met Air LP.**

- o Andere Bluetooth-luidsprekers in de buurt uitschakelen of verplaatsen (verder dan 10 m), zodat alleen de dichtstbijzijnde Bluetooth-luidspreker van uw keuze begint te koppelen.
- o Druk de Bluetooth-knop van de Air LP in en laat deze vervolgens weer los om de koppeling met een Bluetooth-luidspreker te verbreken. Druk de knop nogmaals in om opnieuw te proberen koppelen.
- o Air LP eerst uit- en dan weer aanzetten en vervolgens de Bluetooth-knop indrukken om opnieuw te proberen koppelen.
- o Gebruik de volumeknop op de Air LP om het uitgangsniveau van Bluetooth te verhogen.

**Ik ben verbonden met een Bluetooth-luidspreker, maar hoor geen geluid.**

- o Als u verbinding hebt gemaakt met een Bluetooth-luidspreker met een knop afspelen/pauzeren en u hoort geen geluid, druk dan op de knop afspelen/pauzeren.

**Mijn smartphone maakt geen verbinding met de Air LP draaitafel.**

- o De Air LP-draaitafel doet dienst als een Bluetooth-zender die het geluid van Air LP naar andere Bluetooth-luidsprekers verzendt. De Air LP kan geen dienst doen als Bluetooth-ontvanger, noch muziek afspelen van uw smartphone via de koptelefoon- of RCA-uitgang.

**De Bluetooth-led stopt niet met knipperen.**

- o Zodra de Bluetooth-knop is ingedrukt, probeert Air LP gedurende 5 minuten verbinding te maken met de dichtstbijzijnde Bluetooth-luidsprekers. Om de knipperende Bluetooth-led stop te zetten, moet u de Air LP aan en uit zetten.

**Ik hoor statische ruis in mijn koptelefoon.**

- o Druk de Bluetooth-knop van de Air LP in om de koppeling met een Bluetooth-luidspreker te verbreken. Let erop wanneer u met uw koptelefoon luistert naar Air LP dat Air LP niet tegelijkertijd verbonden is met een Bluetooth-luidspreker.

## Air LP instellen als standaard opnameapparaat

- **Windows 8:** Klik in het **Startmenu** op de hoek links onderaan het scherm om het bureaublad te openen. Zoek in de hoek onderaan rechts van de Taakbalk het pictogram met de luidspreker voor de volumeregeling. Klik met de rechtermuisknop op de luidspreker en selecteer **Afspelapparaten**. Selecteer het tabblad **Opnemen** in het configuratiescherm **Geluid**. Als naast de USB PnP Audioapparaat geen groen 'vinkje' staat, klik er dan op met de rechtermuisknop en selecteer **Als standaardapparaat instellen**.
- **Windows 10:** Klik op **Startmenu** ► **Configuratiescherm** (of Instellingen ► Configuratiescherm in klassieke weergave) ► **Hardware en geluid** ► **Geluid**. Selecteer in het configuratiescherm **Geluid** van **Windows** het tabblad **Opnemen**. Als **USB-audiocodec** niet groen is afgevinkt, druk er dan op met de rechtermuisknop en selecteer "Als standaardapparaat instellen". Selecteer **Eigenschappen** en klik op het tabblad **Geavanceerd** om de standaardindeling te selecteren: 44100 Hz of 48000 Hz.
- **Mac:** Klik op het "Apple"-pictogram in de linkerbovenhoek en klik op **Systeemvoorkeuren** ► **Geluid**. Klik op het tabblad **Invoer**. Selecteer in het menu de USB PnP Audioapparaat ir als het apparaat.

## De geluidskaart van uw computer instellen als standaard afspeelapparaat

- **Windows 8:** Klik in het **Startmenu** op de hoek links onderaan het scherm om het bureaublad te openen. Zoek in de hoek onderaan rechts van de Taakbalk het pictogram met de luidspreker voor de volumeregeling. Klik met de rechtermuisknop op de luidspreker en selecteer **Afspelapparaten**. In het tabblad **Afspelen** moet het configuratiescherm **Geluid** verschijnen. Als naast de geluidskaart van uw computer geen groen 'vinkje' staat, klik er dan op met de rechtermuisknop en selecteer **Als standaardapparaat instellen**.
- **Windows 10:** Klik op **Startmenu** ► **Configuratiescherm** ► **Geluid**. Klik op het tabblad **Afspelen** en selecteer de geluidskaart van uw computer als standaardapparaat.
- **Mac:** Klik op het "Apple"-pictogram in de linkerbovenhoek en klik op **Systeemvoorkeuren** ► **Geluid**. Klik op het tabblad **Uitvoer**. Selecteer **Interne luidsprekers** in het menu als u gebruik maakt van de interne luidsprekers van uw computer of selecteer **Hoofdtelefoon** als u luidsprekers of een hoofdtelefoon gebruikt die zijn aangesloten op de 1/8"-koptelefoonuitgang van de computer.

Neem contact op met ION Audio of uw dealer voor technische ondersteuning **VOORALEER DIT PRODUCT TERUG TE ZENDEN**. De contactgegevens zijn te vinden in het boekje met veiligheidsinstructies bij dit product.

[ionaudio.com/support](http://ionaudio.com/support)





## Appendix

### Technical Specifications

<b>Dimensions</b> (Length x Width x Depth)	16" x 14" x 4.5" 406 mm x 356 mm x 114 mm
<b>Weight</b>	6.7 lbs. (3 kg)
<b>Power</b>	12V DC, 0.2A, center pin-positive, tip-negative
<b>Air LP Turntable Bluetooth Function</b>	Bluetooth Transmitter
<b>Bluetooth</b>	
<b>Version</b>	5.1
<b>Range</b>	Up to 100' / 30 m*
<b>Transmitting Power</b>	Class 2, 0 dBm
<b>Transmitting Frequency</b>	2.402 GHz – 2.480 GHz
<b>Cartridge Type</b>	Ceramic
<b>Cartridge and Stylus</b>	<b>Cartridge and Stylus:</b> CZ-800-10 (sapphire-tipped) is included, and also available at <a href="http://ionaudio.com">ionaudio.com</a> .  For a 78 RPM stylus, the iCT06rs is available at <a href="http://ionaudio.com">ionaudio.com</a> .

Specifications are subject to change without notice.

\*Bluetooth range is affected by walls, obstructions, and movement. For optimal performance, place the product in line of sight, so it is unaffected by walls, furniture, etc.

### Trademarks and Licenses

ION Audio is a trademark of ION Audio, LLC, registered in the U.S. and other countries.

The *Bluetooth* word mark and logos are owned by the Bluetooth SIG, Inc. and any use of such marks by ION Audio is under license.

Windows is a registered trademark of Microsoft Corporation in the United States and/or other countries.

macOS is a trademark of Apple, Inc., registered in the U.S.A. and other countries.

RCA is a trademark of Technicolor SA.

All other product or company names are trademarks or registered trademarks of their respective owners.



**ionaudio.com**