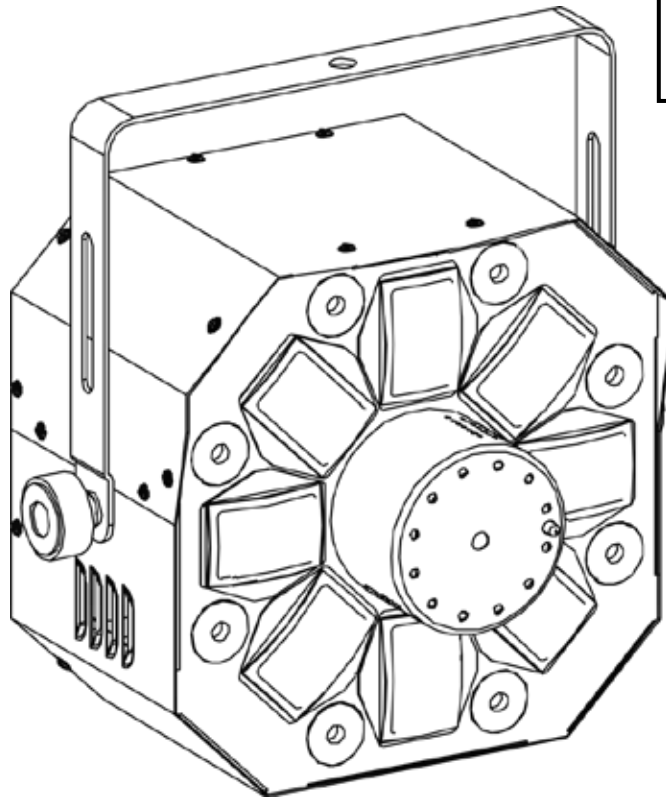


# ***SWARM WASH FX***

## **User Manual**



**LASER LIGHT**  
**AVOID DIRECT EYE EXPOSURE**  
**CLASS 3R LASER PRODUCT**  
**CLASSIFIED PER EN/IEC 60825-1:2007**  
Complies with FDA performance standards  
for laser products except for deviations  
pursuant to Laser Notice No. 50, dated June  
24, 2007.



**CHAUVET®**

# TABLE OF CONTENTS

<b>1. Before You Begin.....</b>	<b>7</b>
What Is Included.....	7
Unpacking Instructions.....	7
Claims.....	7
Manual Conventions.....	7
Symbols.....	7
Disclaimer.....	7
Safety Notes.....	8
Non-Interlocked Housing Warning.....	9
Laser Safety Notes.....	9
Laser Safety Label Reproduction.....	11
Laser Exposure Warning.....	12
Laser Emission Data.....	12
Laser Compliance Statement.....	12
<b>2. Introduction.....</b>	<b>13</b>
Overview.....	13
Dimensions.....	14
<b>3. Setup.....</b>	<b>15</b>
AC Power.....	15
Fuse Replacement.....	15
Power Linking.....	16
Power Linking Diagram.....	16
Mounting.....	17
Orientation.....	17
Rigging.....	17
Mounting Diagram.....	17
Proper Usage.....	18
<b>4. Operation.....</b>	<b>19</b>
Control Panel Operation.....	19
Menu Map.....	19
Configuration (DMX).....	20
Starting Address.....	20
DMX Channel Assignments and Values.....	21
18Channel.....	21
02Channel.....	24
IRC-6 Infrared Remote Control.....	25
IRC-6 Operation.....	25
Configuration (Standalone).....	26
Sound-Active Mode.....	26
Automatic Mode.....	26
Speed Adjustment.....	26
Master/Slave.....	26
Mode.....	26
<b>5. Technical Information.....</b>	<b>27</b>
Product Maintenance.....	27
<b>6. Technical Specifications.....</b>	<b>28</b>
<b>Returns.....</b>	<b>29</b>
<b>1. ANTES DE EMPAR.....</b>	<b>30</b>

Qué va Incluido.....	30
Instrucciones de Desembalaje .....	30
Reclamaciones.....	30
Convenciones del Manual .....	30
Símbolos.....	30
Exención de responsa-bilidad .....	30
Notas de Seguridad.....	31
Advertencia sobre Carcasa no Cerrada.....	32
Notas de Seguridad sobre Láser.....	32
Reproducción de la etiqueta de seguridad del láser.....	34
Advertencia sobre Exposición al Láser .....	35
Declaración de Conformidad Láser.....	35
<b>2. INTRODUCCIÓN.....</b>	<b>36</b>
Vista general.....	36
Dimensiones.....	37
<b>3. INSTALACIÓN .....</b>	<b>38</b>
Corriente Alterna .....	38
Sustitución del Fusible .....	38
Alimentación en cadena.....	39
Diagrama de alimentación en cadena.....	39
Montaje.....	40
Orientación .....	40
Colocación.....	40
Diagrama de montaje .....	40
Uso Adecuado .....	41
<b>4. FUNCIONAMIENTO .....</b>	<b>42</b>
Manejo del Panel de Control.....	42
Mapa de menú.....	42
Configuración (DMX).....	43
Dirección de inicio .....	43
Valores y asignaciones de canal DMX .....	44
18 canales .....	44
02 canales .....	47
Control remoto por infrarrojos IRC-6.....	48
IRC-6 Funcionamiento .....	48
Configuración (Independiente).....	49
Modo Activo por sonido.....	49
Modo Automático .....	49
Ajuste de la velocidad .....	49
Modo Maestro/Esclavo.....	49
<b>5. INFORMACIÓN TÉCNICA .....</b>	<b>50</b>
Mantenimiento del Producto.....	50
<b>6. ESPECIFICACIONES TÉCNICAS.....</b>	<b>51</b>
<b>Devoluciones .....</b>	<b>52</b>
<b>1. AVANT DE COMMENCER.....</b>	<b>53</b>
Ce Qui Est Compris.....	53
Instructions Relatives au Déballage.....	53
Réclamations.....	53
Conventions de Ce Manuel .....	53
Symboles.....	53

Clause de Non-Responsabilité.....	53
Consignes de Sécurité .....	54
Avertissement : Boîtier non Verrouillable.....	55
Consignes de Sécurité Relatives au Laser .....	55
Reproduction de l'étiquette de sécurité laser .....	57
Avertissement d'Exposition au Laser .....	58
Données d'Emission Laser.....	58
Déclaration De Conformité Du Laser .....	58
<b>2. Introduction.....</b>	<b>59</b>
Vue d'ensemble.....	59
Dimensions.....	60
<b>3. CONFIGURATION.....</b>	<b>61</b>
Alimentation CA.....	61
Remplacement du Fusible .....	61
Connexion Electrique .....	62
Schéma de chaînage électrique.....	62
Installation .....	63
Orientation.....	63
Suspension.....	63
Schéma de montage .....	63
Utilisation Adéquate.....	64
<b>4. FONCTIONNEMENT .....</b>	<b>65</b>
Fonctionnement du Panneau de Commande .....	65
Plan du menu .....	65
Configuration (DMX).....	66
Adresse de départ.....	66
Affectation de canaux DMX et valeurs .....	67
18 canaux .....	67
02 canaux .....	70
Télécommande infrarouge IRC-6 .....	71
IRC-6 Fonctionnement .....	71
Configuration (autonome).....	72
Mode d'activation par le son.....	72
Mode automatique.....	72
Réglage de la vitesse .....	72
Maître/Esclave.....	73
Mode .....	73
<b>5. Informations Techniques .....</b>	<b>74</b>
Entretien de l'Appareil .....	74
<b>6. SPECIFICATIONS TECHNIQUES.....</b>	<b>75</b>
<b>Renvois .....</b>	<b>76</b>
<b>1. ERSTE SCHRITTE .....</b>	<b>77</b>
Packungs-inhalt.....	77
Anweisungen für das Auspacken .....	77
Schadens-meldung .....	77
Konventionen des Handbuchs .....	77
Symbole.....	77
Haftungs-ausschluss .....	77
Sicherheits-hinweise.....	78
Achtung! Kein Schutz bei geöffnetem Gehäuse .....	79

Hinweise zur Lasersicherheit .....	79
Warn- und Sicherheitsschilder auf dem Lasergerät .....	81
Warnung vor Laserstrahlen .....	82
Laseremissionsdaten .....	82
Laser-Konformitäts-erklärung .....	82
<b>2. EINLEITUNG .....</b>	<b>83</b>
Übersicht .....	83
Abmessungen .....	84
<b>3. EINRICHTEN DES GERÄTS .....</b>	<b>85</b>
Wechselstrom .....	85
Auswechseln der Sicherung .....	85
Serienschaltung der Geräte .....	86
Abbildung für Serienschaltung .....	86
Montage .....	87
Montagerichtung .....	87
Hängende Montage .....	87
Montageansicht .....	87
Bestimmungs-gemäße Verwendung .....	88
<b>4. BETRIEB .....</b>	<b>89</b>
Betrieb des Bedienfeldes .....	89
Menüstruktur .....	89
Konfiguration (DMX) .....	90
Startadresse .....	90
DMX-Kanal – Zuordnungen und Werte .....	91
18 Kanal .....	91
02 Kanal .....	94
IRC-6 Infrarot-Fernbedienung .....	95
IRC-6 Betrieb .....	95
Konfiguration (Stand-alone) .....	96
Musiksteuerungs-Modus .....	96
Auto-Modus .....	96
Geschwindigkeitseinstellung .....	97
Master/Slave .....	97
Modus .....	97
<b>5. Technische Informationen .....</b>	<b>98</b>
Wartung des Geräts .....	98
<b>6. TECHNISCHE DATEN .....</b>	<b>99</b>
<b>Reklamationen .....</b>	<b>100</b>
<b>1. VOORDAT U BEGINT .....</b>	<b>101</b>
Wat is er inbegrepen .....	101
Uitpakinstructies .....	101
Claims .....	101
Conventies van deze handleiding .....	101
Symbolen .....	101
Disclaimer .....	101
Veiligheids-voorschriften .....	102
Niet-bevestigde waarschuwing op de behuizing .....	103
Veiligheids-voorschriften voor de laser .....	103
Reproductie van veiligheidsetiket voor de laser .....	105
Blootstellingswaarschuwing van de laser .....	106

Emissiegegevens van de laser .....	106
Nalevingsverklaring van de laser .....	106
<b>2. INLEIDING .....</b>	<b>107</b>
Overzicht .....	107
Afmetingen .....	108
<b>3. INSTELLING .....</b>	<b>109</b>
AC-stroom .....	109
Vervangen van de zekering .....	109
Power Linking.....	110
Power Linking Diagram .....	110
Montage.....	111
Oriëntatie.....	111
Opbouw .....	111
Montagediagram .....	111
Correct gebruik.....	112
<b>4. WERKING .....</b>	<b>113</b>
Werking van het bedieningspaneel .....	113
Menumap.....	113
Configuratie (DMX).....	114
Startadres.....	114
DMX-kanaaltoewijzingen en waarden.....	115
18 kanaal .....	115
02 kanaal .....	118
IRC-6 Infrarood Remote Control .....	119
IRC-6 bediening .....	119
Configuratie (losstaand) .....	120
Geluidsactieve modus.....	120
Automatische modus.....	120
Snelheidsaanpassing .....	120
Master/Slave .....	120
Modus.....	120
<b>5. Technische informatie.....</b>	<b>121</b>
Productonderhoud .....	121
<b>6. TECHNISCHE SPECIFICATIES.....</b>	<b>122</b>
<b>Retouren.....</b>	<b>123</b>
<b>Contact Us.....</b>	<b>124</b>

# 1. BEFORE YOU BEGIN

## What Is Included

- Swarm Wash FX
- External power cord
- Warranty card
- User Manual

## Unpacking Instructions

Carefully unpack the product immediately and check the box to make sure all the parts are in the package and are in good condition.

## Claims




If the box or the contents (the product and included accessories) appear damaged from shipping or show signs of mishandling, notify the carrier immediately, not Chauvet. Failure to do so in a timely manner may invalidate your claim with the carrier. In addition, keep the container and all the packing material for inspection.

For other issues, such as missing components or parts, damage not related to shipping, or concealed damage, file a claim with Chauvet within 7 days of delivery.

## Manual Conventions

Convention	Meaning
1–512	A range of values
50/60	A set of values of which only one can be chosen
Settings	A menu option not to be modified
Menu > Settings	A sequence of menu options to be followed
<ENTER>	A key to be pressed on the product's control panel
ON	A value to be entered or selected

## Symbols

Symbol	Meaning
	Critical installation, configuration, or operation information. Ignoring this information can cause the product to not work, damage it, or cause harm to the operator.
	Important installation or configuration information. The product may not function correctly if this information is not used.
	Useful information.

## Disclaimer

Chauvet believes that the information contained in this manual is accurate in all respects. However, Chauvet assumes no responsibility and specifically disclaims any and all liability to any party for any loss, damage or disruption caused by any errors or omissions in this document, whether such errors or omissions result from negligence, accident or any other cause. Chauvet reserves the right to revise the content of this document without any obligation to notify any person or company of such revision, however, Chauvet has no obligation to make, and does not commit to make, any such revisions. Download the latest version from [www.chauvetlighting.com](http://www.chauvetlighting.com).

The works of authorship contained in this manual, including, but not limited to, all design, text and images are owned by Chauvet.

© Copyright 2016 Chauvet & Sons, LLC. All rights reserved.

Electronically published by Chauvet in the United States of America.

CHAUVET, the Chauvet logo and “Swarm Wash FX” are registered trademarks or trademarks of Chauvet & Sons, LLC. (d/b/a Chauvet and Chauvet Lighting) in the United States and other countries. Other company and product names and logos referred to herein may be trademarks of their respective companies.

## Safety Notes

The Safety Notes include important laser system safety information. Read and understand all instructions before powering on the laser for the first time. Knowing these safety instructions is crucial to avoiding laser eye injury and breaking the law. Keep this User Manual in a safe place for future reference.



### STOP AND READ ALL LASER SAFETY DATA



- Lasers can be hazardous and have unique safety considerations. Permanent eye injury and blindness are possible if lasers are used incorrectly. Pay close attention to each safety REMARK and WARNING statement in this User Manual. Read all instructions carefully BEFORE operating this device.
- Always connect the product to a grounded circuit to avoid the risk of electrocution.
- Always disconnect the product from the power source before cleaning.
- Avoid direct eye exposure to the light source while the product is on.
- Make sure the power cord is not crimped or damaged.
- Never disconnect the product from power by pulling or tugging on the cord.
- If mounting the product overhead, always secure to a fastening device using a safety cable.
- Make sure there are no flammable materials close to the product when operating.
- Do not touch the product's housing when operating because it may be very hot.



- This product is not intended for permanent installation.
- Always make sure that the voltage of the outlet to which you are connecting the product is within the range stated on the decal or rear panel of the product.
- The product is for indoor use only! (IP20) To prevent risk of fire or shock, do not expose the product to rain or moisture.
- Always install the product in a location with adequate ventilation, at least 20 in (50 cm) from adjacent surfaces.
- Be sure that no ventilation slots on the product's housing are blocked.
- Never connect the product to a dimmer.
- Always use the mounting bracket to carry the product.
- Do not switch the product on/off in short intervals. This will reduce the laser diode life.
- Do not shake this product. Avoid brute force when mounting or operating this product.
- ALWAYS use a safety cable when mounting the product overhead.
- The ambient operating temperature for the laser is 59 °F to 95 °F (15 °C to 35 °C). Do not operate this product outside this range.
- In the event of a serious operating problem, stop using the product immediately.
- Never try to repair the product. Repairs carried out by unskilled people can lead to damage or malfunction. Contact the nearest authorized technical assistance center.





- Avoid direct eye contact with laser light. Never intentionally expose your eyes or others to direct laser light.
- This laser product can potentially cause instant eye injury or blindness if laser light directly strikes the eyes.
- It is illegal and dangerous to shine this laser into audience areas, where the audience or other personnel could get direct laser beams or bright reflections into their eyes.
- It is a U.S. federal offense to shine any laser at aircraft.
- Use of controls, adjustments, or procedures other than those specified in this User Manual may result in hazardous radiation exposure.
- To eliminate wear and improve its lifespan, during periods of non-use completely disconnect from power via breaker or by unplugging it.
- **DO NOT attempt any repairs. Repairs and servicing must be carried out by a certified technician. Unauthorized modifications are forbidden for safety reasons!**



- **Keep this User Manual for future consultation. If transferring ownership of the product to another user, be sure this document is kept with the laser.**

### **Non-Interlocked Housing Warning**

- This unit contains high power laser devices internally.
- Do not open the laser housing, due to potential exposure to unsafe levels of laser radiation.
- The laser power levels, accessible if the unit is opened, can cause instant blindness, skin burns, and fires.

### **Laser Safety Notes**



#### **STOP AND READ ALL THE LASER SAFETY NOTES BELOW**



Laser light is different from any other light. Laser light can cause eye injury if the product is not set up and used properly. Laser light is a thousand times more concentrated than any other kind of light. This concentration can cause instant eye injuries by burning the retina (the light-sensitive portion at the back of the eye). The heat from a laser light cannot be felt, but it can still injure or blind product operators and the audience. Even very small amounts of laser light at long distances are potentially hazardous.

**DO NOT** assume that exposure to an individual laser beam is safe, even a tiny beam split off from a larger beam. This laser product uses dozens of milliwatts of laser power—Class 3B levels internally—and splits them into multiple beams—Class 3R levels. The individual Class 3R level beams are potentially hazardous to the eyes.

**DO NOT** assume that a moving laser light is safe. Laser light is never without risk. Since eye injuries can occur instantly, it is critical to prevent the possibility of ANY direct eye exposure. According to laser safety regulations, it is not legal to aim Class 3R lasers into areas where people can be exposed, even if the laser is aimed below people's faces, such as at a dance floor.

- Do not operate the laser without first reading and understanding all the safety and technical data in this manual.
- ALWAYS set up and install all laser effects so that any laser light is at least 3 meters (9.8 feet) above the floor on which people are standing. See the [Proper Usage](#) section of this manual.
- After setup, and prior to public use, test the lasers to ensure they are functioning properly. Do not use the product if any defect is detected.
- DO NOT use laser if it is emitting only one or two beams, rather than dozens/hundreds, as this indicates damage to the diffraction grating optic, and allows emission of laser levels higher than Class 3R.
- DO NOT point lasers at people or animals.
- DO NOT look into the laser aperture or laser beams.
- DO NOT point lasers into areas where people could be exposed to them..
- DO NOT point lasers at highly reflective surfaces such as windows, mirrors, and shiny metal. Even laser reflections can be hazardous.
- Never point a laser at aircraft; this is a U.S. federal offense.
- Never point un-terminated laser beams into the sky.
- Do not expose the output optic (aperture) to harsh cleaning chemicals.
- Do not use the laser if the housing is damaged, open, or if the optics appear damaged in any way.
- Never open the laser housing. The high laser power levels inside of the protective housing can start fires or burn skin, and will cause instant eye injury.
- Never leave this product running unattended.
- The operation of a Class 3R laser show is allowed only if the lasers are operated by a skilled and well-trained professional, who is familiar with the data included in this manual.
- The legal requirements for using laser entertainment products vary from country to country. The user is responsible for the legal requirements in the location/country of use.

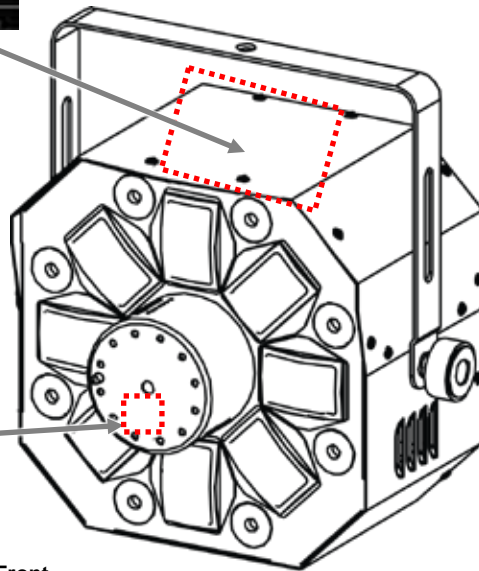


**CAUTION! Do not operate this device in ways not specified in this User Manual. Failure to follow the instructions will void the warranty, may damage the product, or injure the user or the audience.**

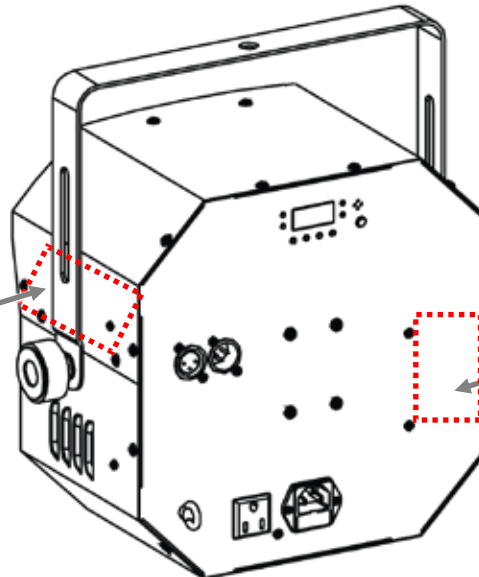


**CAUTION! This product cannot be discarded with household waste. Contact your local waste management service for electronic disposal regulations in your area.**

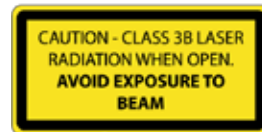
# Laser Safety Label Reproduction



Front



Rear



**Laser Exposure Warning**



**LASER LIGHT AVOID DIRECT EYE EXPOSURE**

Further guidelines and safety programs for safe use of lasers can be found in the ANSI Z136.1 Standard "For Safe Use of Lasers," available from the Laser Institute of America: [www.laserinstitute.org](http://www.laserinstitute.org). Many local governments, corporations, agencies, military, and others, require all lasers to be used under the guidelines of ANSI Z136.1. Laser Display guidance can be obtained via the International Laser Display Association: [www.laserist.org](http://www.laserist.org).

**Laser Emission Data**

As measured under IEC measurement conditions for classification.

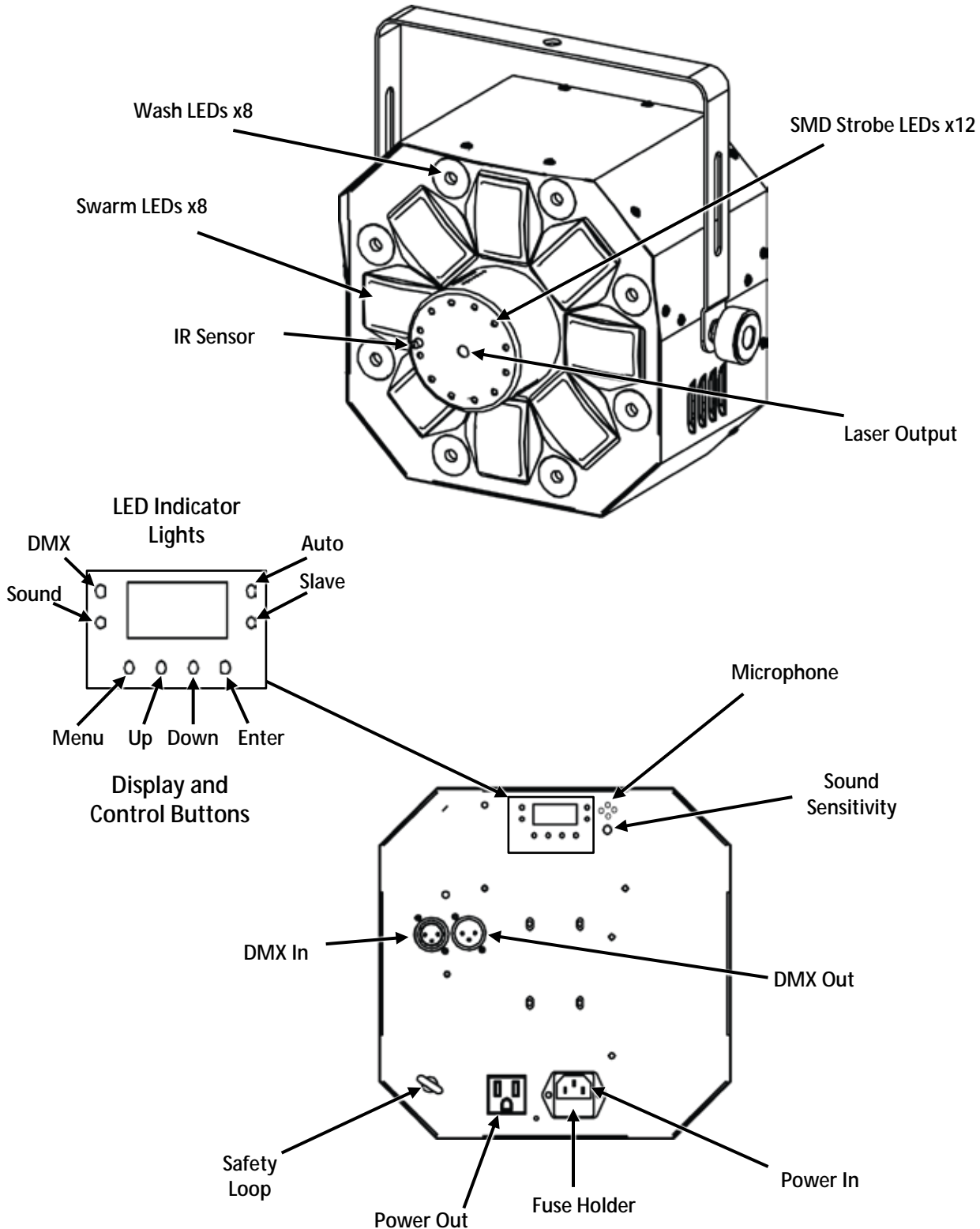
<b>Laser Classification</b>	Class 3R
<b>Green Laser Medium</b>	DPSS Nd:YVO4, 532 nm/30 mW
<b>Red Laser Medium</b>	LD GaAlAs, 650 nm/100 mW
<b>Beam Diameter</b>	<5 mm at aperture
<b>Pulse Data</b>	All pulses < 4 Hz (>0.25 sec)
<b>Divergence (each beam)</b>	<2 mrad
<b>Divergence (total light)</b>	<160 degrees
<b>Laser Power of Each Beam from Aperture*</b>	<5 mW

**Laser Compliance Statement**

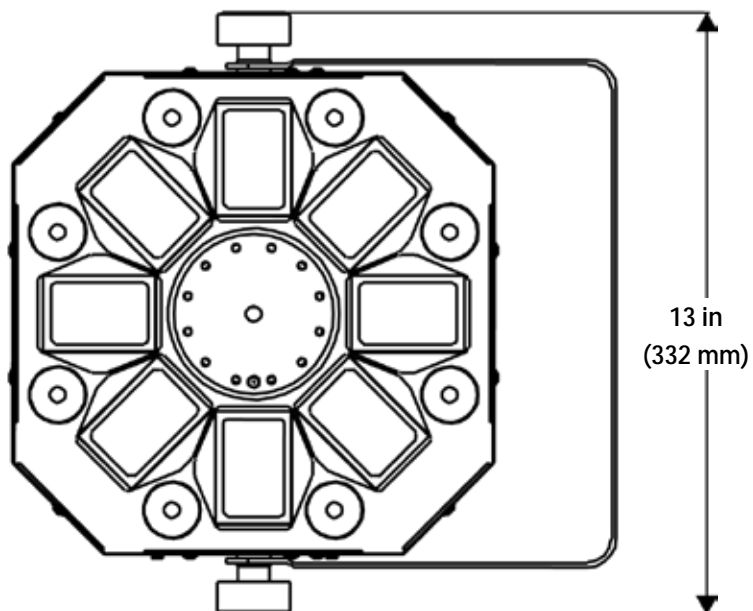
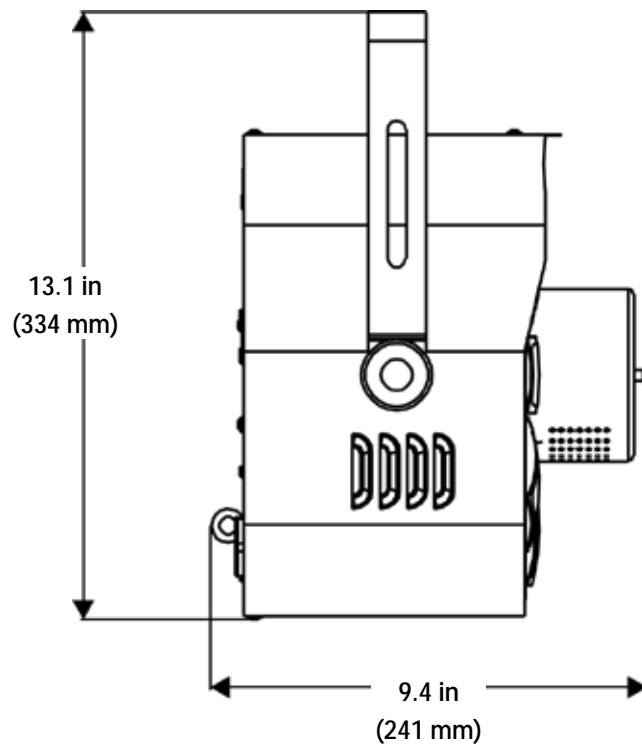
This laser product complies with EN/IEC 60825-1 Ed 2, 2007-03, and U.S. FDA/CDRH FLPPS via the terms of Laser Notice No. 50 dated June 24, 2007. This laser device is classified 3R. (Class 3R is the international equivalent of U.S. Class IIIa.) No maintenance is required to keep this product in compliance with laser performance standards.

# 2. INTRODUCTION

## Overview



## Dimensions



# 3. SETUP

**AC Power** The Swarm Wash FX has an internal auto-ranging power supply and it can work with an input voltage range of 100 to 240 VAC, 50/60 Hz.

To determine the product's power requirements (circuit breaker, power outlet, and wiring), use the current value listed on the label affixed to the product's back panel, or refer to [6. Technical Specifications](#) in this manual. The listed current rating indicates the product's average current draw under normal conditions.



- **Always connect the product to a protected circuit (circuit breaker or fuse). Make sure the product has an appropriate electrical ground to avoid the risk of electrocution or fire.**
- **To eliminate wear and improve its lifespan, during periods of non-use completely disconnect from power via breaker or by unplugging it.**



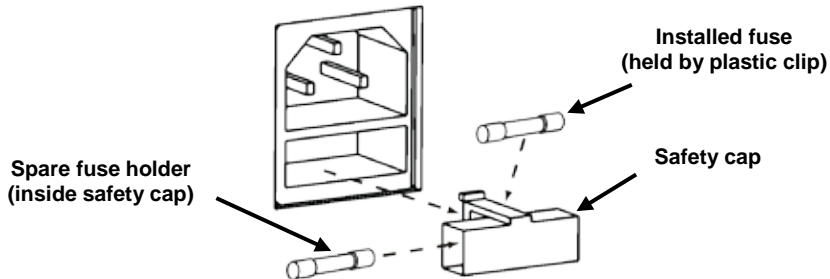
**Never connect the product to a rheostat (variable resistor) or dimmer circuit, even if the rheostat or dimmer channel serves only as a 0 to 100% switch.**

## Fuse Replacement

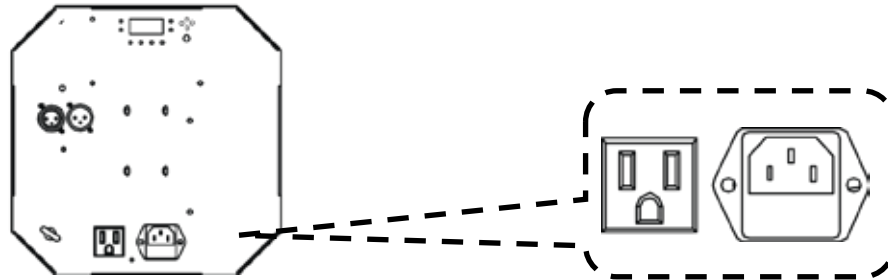
1. Disconnect the product from power.
2. Wedge the tip of a flat-head screwdriver into the slot of the fuse holder.
3. Pry the fuse holder out of the housing.
4. Remove the blown fuse from the holder.
5. Replace with a fuse of the exact same type and rating.
6. Insert the fuse holder back in place and reconnect power.



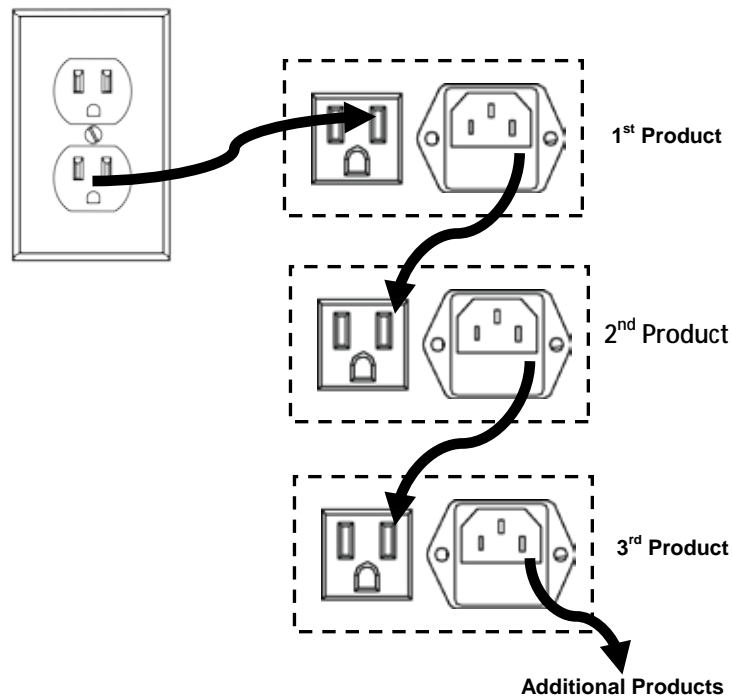
**Disconnect the product from power before replacing the fuse.**



**Power Linking** Power linking is when products are daisy chained together through the power in and power out plugs, allowing many products to be powered from one wall outlet. Up to 15 Swarm Wash FX products can be power linked at 120 V, and up to 26 Swarm Wash FX products can be power linked at 230 V. The diagram below illustrates the power linking process.



**Power Linking Diagram**



Do not power link more than 15 Swarm Wash FX on 120 V.  
Do not power link more than 26 Swarm Wash FX on 230 V.



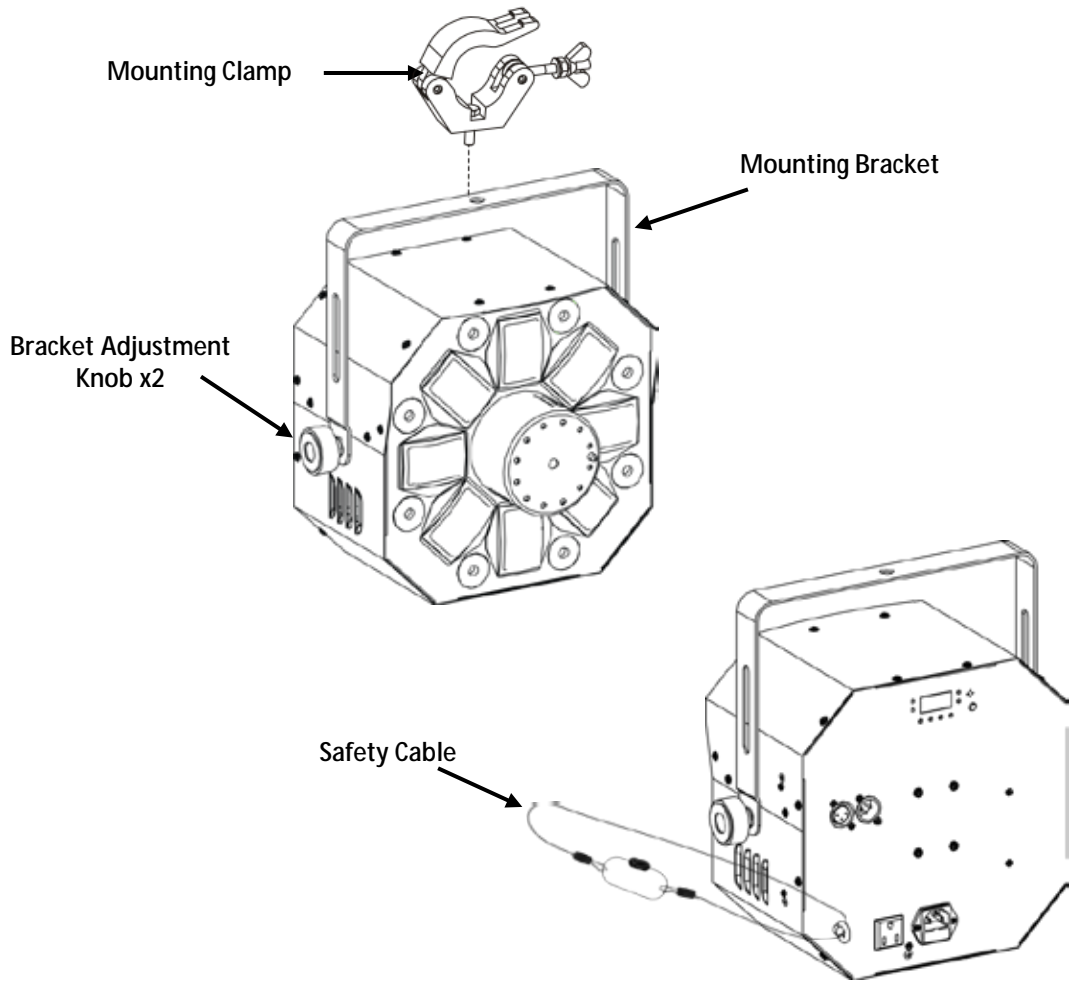
The power linking diagram above shows the North American version of the product only! Power linking connectors and requirements differ from country to country, and region to region. If using this product anywhere other than North America, consult with the local Chauvet distributor.



**Mounting** Before mounting the product, read and follow the safety recommendations indicated in the [Safety Notes](#). Use at least one mounting point per product. Make sure the mounting clamp (such as **CLP-15** from Chauvet) is capable of supporting the weight of the product. For our Chauvet line of mounting clamps, go to [www.chauvetlighting.com/cables-clamps-main.html](http://www.chauvetlighting.com/cables-clamps-main.html).

**Orientation** The Swarm Wash FX must be mounted in a position that includes planning for safe laser usage. In addition, make sure adequate ventilation is provided around the product.

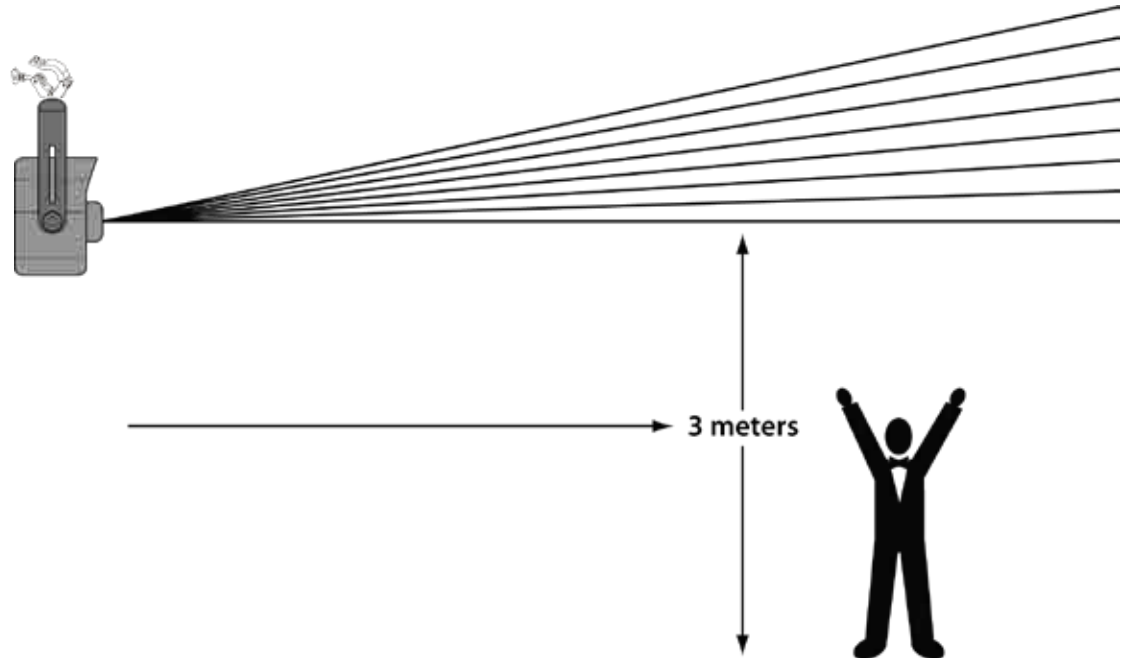
- Rigging**
- Before deciding on a location for the product, always make sure there is easy access to the product for maintenance and programming.
  - Make sure that the structure or surface onto which you are mounting the product can support the product's weight (see [Technical Specifications](#)).
  - When mounting the product overhead, always use a safety cable (such as **CH-05** from Chauvet). Mount the product securely to a rigging point, such as an elevated platform or a truss.
  - When rigging the product onto a truss, you should use a mounting clamp of appropriate weight capacity. The bracketed has a 13-mm hole, which is appropriate for this purpose.
  - The bracket adjustment knobs allow for directional adjustment when aiming the product to the desired angle. Only loosen or tighten the bracket knobs manually. Using tools could damage the knobs.



**Mounting Diagram**

**Proper Usage** This product is for overhead mounting only. For safety purposes, Chauvet recommends mounting lighting effect products on steady elevated platforms or sturdy overhead supports using suitable hanging clamps. In all cases, use safety cables. Obtain appropriate mounting hardware from your lighting vendor.

International laser safety regulations require that laser products must be operated in the fashion illustrated below, with a minimum of 3 meters (9.8 ft) of vertical separation between the floor and the lowest laser light. Additionally, 3 meters of horizontal separation is required between laser light and audience or other public spaces.



**CAUTION!** Use of controls, adjustments, or procedures other than **THOSE** specified **IN THIS USER MANUAL** may result in hazardous radiation exposure.

## 4. OPERATION

This product is not designed for continual use. Make sure there are regular breaks during operation to maximize the life of your laser. Always disconnect the Swarm Wash FX from power when not in use.

**Control Panel Operation** To access the control panel functions, use the four buttons located underneath the display. When the product is on, the LED monitor on the rear panel will show the current operating mode (Standalone or DMX). The product will retain the last saved settings when powered off.

Button	Function
<MENU>	Selects an operation mode or backs out of the current menu option
<UP>	Scrolls up the list of options or selects a higher value
<DOWN>	Scrolls down the list of options or selects a lower value
<ENTER>	Activates a menu option or a selected value

### Menu Map

Mode	Programming Steps		Description
DMX	2-CH	d001–d511	Sets DMX address and personality
	18CH	d001–d495	
Auto	P--	P 1-15	Selects Auto Program Effect and speed (slow to fast)
Speed	S--	S.01–S.99	Speed for Sound Mode and Auto Programs
Sound	SND	SN 1-15	Selects Sound Active Mode Program Effects
IR Function	SET	ON	On/Off IR functions
		OFF	

### Auto and Sound Modes Defined

Program	Effect
1	All Effects- Derby, Laser, Strobos and Wash
2	Wash Only
3	Laser Only
4	Derby Only
5	Strobos Only
6	Wash, Laser and Derby
7	Wash, Laser and Strobos
8	Wash, Derby and Strobos
9	Laser, Derby and Strobos
10	Wash and Laser
11	Wash and Derby
12	Wash and Strobos
13	Laser and Derby
14	Laser and Strobos
15	Derby and Strobos

## Configuration (DMX)

Set the product in DMX mode to control with a DMX controller. The product uses 3-pin DMX cable.

1. Connect the product to a suitable power outlet.
2. Connect a DMX cable from the DMX output of the DMX controller to the DMX input socket on the product.

## Starting Address

When selecting a DMX starting address, always consider the number of DMX channels used by the fixture. If you choose a starting address that is too high, you could restrict the access to some of the product's channels.

The Swarm Wash FX uses 2 or 18 DMX channels, which means the highest DMX address you can use in 18 Channel mode, is **495**.

If you are not familiar with the DMX protocol, download the DMX Primer from <http://www.chauvetlighting.com>.

To select the starting DMX address, do the following:

1. Press **<MENU>** repeatedly until **02CH or 18CH** blinks on the display and the DMX light come on.
2. Press **<ENTER>** and **d001–d495** will appear on the screen.
3. Use **<UP>** or **<DOWN>** to select the starting address.
4. Press **<ENTER>** to put the fixture in DMX mode. The display will continue to blink.



**The display will continue to blink until the fixture receives a DMX signal.**

## DMX Channel Assignments and Values

18Channel	Channel	Function	Value	Setting
1		Auto Programs	000 ó 015	Blackout
			016 ó 030	Wash Only
			031 ó 045	Lasers Only
			046 ó 060	Derby Only
			061 ó 075	Strobes Only
			076 ó 090	Wash, Laser and Derby
			091 ó 105	Wash, Laser and Strobes
			106 ó 120	Wash, Derby and Strobes
			121 ó 135	Laser, Derby and Strobes
			136 ó 150	Wash and Laser
			151 ó 165	Wash and Derby
			166 ó 180	Wash and Strobes
			181 ó 195	Laser and Derby
			196 ó 210	Laser and Strobes
			211 ó 225	Derby and Strobes
			226 ó 255	All effects
2		Auto Program Speed	000 ó 200	Selects speed, (slow to fast)
		Sound Active Mode	201 ó 255	Sound Active mode - all effects
3–10		Wash Group 1–8	001 ó 051	Blackout
			052 ó 102	Red
			103 ó 153	Green
			154 ó 204	Blue
			205 ó 255	UV
11		Wash Strobe	000 ó 255	Strobe Speed (slow to fast)

18Channel	Channel	Function	Value	Setting
			000 ó 009	Blackout
			010 ó 014	Red
			015 ó 019	Green
			020 ó 024	Blue
			025 ó 029	Amber
			030 ó 034	White
			035 ó 039	White + Red
			040 ó 044	Red + Green
			045 ó 049	Green + Blue
			050 ó 054	Blue + Amber
			055 ó 059	Amber + White
			060 ó 064	White + Green
			065 ó 069	Green + Amber
			070 ó 074	Amber + Red
			075 ó 079	Red + Blue
			080 ó 084	Blue + White
			085 ó 089	Red + Green + Blue
			090 ó 094	Red + Green + Amber
			095 ó 099	Red + Green + White
			100 ó 104	Red + Amber + Blue
			105 ó 109	Red + White + Blue
			110 ó 114	Red + Amber + White
			115 ó 119	Amber + Green + Blue
			120 ó 124	Blue + Green + White
			125 ó 129	Amber + Green + White
			130 ó 134	Amber + White + Blue
			135 ó 139	Red + Green + Blue + Amber
			140 ó 144	Red + Green + Blue + White
			145 ó 149	Green + Blue + Amber + White
			150 ó 154	Red + Green + Amber + White
			155 ó 159	Red + Blue + Amber + White
			160 ó 164	Red + Green + Blue + Amber + White
			165 ó 209	Automatic (single colors only)
			210 ó 222	Automatic (two colors at a time)
			223 ó 255	Automatic Sound
	12	Derby		

**18Channel**

Channel	Function	Value	Setting
13	Derby Strobe	000 ó 004	No Function
		005 ó 200	Strobe speed (fast to slow)
		201 ó 255	Sound Active Mode
14	Derby Speed	000 ó 004	Stop
		005 ó 127	Rotate right (slow to fast)
		128 ó 133	Stop
		134 ó 255	Rotate left (slow to fast)
15	SMD Strobe	000 ó 009	Blackout
		010 ó 019	Auto Program 1 (fast to slow)
		020 ó 029	Auto Program 2 (fast to slow)
		030 ó 039	Auto Program 3 (fast to slow)
		040 ó 049	Auto Program 4 (fast to slow)
		050 ó 059	Auto Program 5 (fast to slow)
		060 ó 069	Auto Program 6 (fast to slow)
		070 ó 079	Auto Programs 7 (fast to slow)
		080 ó 089	Auto Programs 8 (fast to slow)
		090 ó 099	Auto Programs 9 (fast to slow)
		100 ó 109	Auto Programs 10 (fast to slow)
		110 ó 119	Auto Programs 11 (fast to slow)
		120 ó 200	Full on
		201 ó 255	Sound- Active strobe
16	Lasers	000 ó 009	Blackout
		010 ó 049	Red on
		050 ó 089	Green on
		090 ó 129	Green and red, alternating strobe
		130 ó 169	Red on and green strobe
		170 ó 209	Green on and red strobe
		210 ó 255	Red and Green Strobe
17	Laser Strobe	000 ó 004	No function
		005 ó 254	Strobe (fast to slow)
		255	Sound- Active strobe
18	Motor LED	000 ó 004	Stop
		005 ó 127	Rotate right (slow to fast)
		128 ó 133	Stop
		134 ó 255	Rotate left (slow to fast)

02Channel	Channel	Function	Value	Setting
1	1	Auto Programs	000 ó 015	Blackout
			016 ó 030	Wash Only
			031 ó 045	Lasers Only
			046 ó 060	Derby Only
			061 ó 075	Strobes Only
			076 ó 090	Wash, Laser and Derby
			091 ó 105	Wash, Laser and Strobes
			106 ó 120	Wash, Derby and Strobes
			121 ó 135	Laser, Derby and Strobes
			136 ó 150	Wash and Laser
			151 ó 165	Wash and Derby
			166 ó 180	Wash and Strobes
			181 ó 195	Laser and Derby
			196 ó 210	Laser and Strobes
			211 ó 225	Derby and Strobes
2	2	Auto Program Speed	000 ó 200	Selects speed, (slow to fast)
		Sound Active Mode	201 ó 255	Sound Active mode - all effects



For manual operation of LEDs and lasers using DMX control, be sure Channel 1 is set to the appropriate DMX address.



## IRC-6 Infrared Remote Control

The Swarm Wash FX is compatible with the IRC-6 infrared remote control from Chauvet. To activate IR mode, press any button on the IRC-6.

**Be sure the IRC-6 remote is pointing directly at the product and there is nothing in between the remote and the product.**

### IRC-6 Operation



#### Auto Mode

To run the product in an auto program:

1. Press **<AUTO>** on the IRC-6.

#### Sound-Active Mode

To run the product in a Sound-Active program:

1. Press **<SOUND>** on the IRC-6.

#### Speed Adjust

To adjust the speed of the auto program:

1. Press **<SPEED>**
2. Use **<+>** or **<->** to increase or decrease the program speed.

#### To modify Auto and Sound-Active Mode effects with IRC-6 Buttons:

Auto Mode / Sound-Active Mode
<b>&lt;1&gt;</b> - Turn On/Off wash effect
<b>&lt;2&gt;</b> - Turn On/Off derby effect
<b>&lt;3&gt;</b> - Turn On/Off laser effect
<b>&lt;4&gt;</b> - Turn On/Off strobe effect

#### Black Out

To black out the light:

Press **<BLACK OUT>** on the IRC-6.

This will turn off the light until the button is pressed again.

**NOTE:** The IRC will not respond to any inputs when Black Out is activated. If the remote does not respond when a button is pressed, try pressing **<BLACK OUT>**. You may have inadvertently activated Black Out.



**All other buttons on the IRC-6 infrared remote control have no function with this product.**

## Configuration (Standalone)

Set the product in one of the Standalone modes to control without a DMX controller. Connect the product to a suitable power outlet.



**Never connect a product that is operating in any Standalone mode (Static, Automatic, or Sound) to a DMX string connected to a DMX controller. Products in Standalone mode may transmit DMX signals that could interfere with the DMX signals from the controller.**

## Sound-Active Mode

To enable the Sound-Active mode, do the following:

1. Press **<MENU>** repeatedly until **SND** blinks on the display.
2. **SN1—SN15** blinks on the display and the Sound light comes on.
3. Use **<UP>** or **<DOWN>** to select the desired Sound-Active program.
4. Press **<ENTER>** to put the fixture into the selected Sound-Active mode.
5. Turn the music on and adjust the sound sensitivity knob until the product starts responding to the beat of the music.



**The product will only respond to low frequencies of music (bass and drums).**

**The laser will blackout when in Sound-Active mode after 3 seconds of silence or noise below the sensitivity setting.**

## Automatic Mode

To enable the Automatic mode, follow the instructions below:

1. Press **<MENU>** repeatedly until **P--** blinks on the display.
2. **P 1—P15** blinks on the display and the Auto light comes on.
3. Use **<UP>** or **<DOWN>** to select the desired Automatic mode.
4. Press **<ENTER>**.

## Speed Adjustment

To change the speed of Auto or Sound-Active mode, follow the instructions below:

1. Press **<MENU>** repeatedly until **S--** shows on the display.
2. Press **<ENTER>** and **S.01—S.99** will show on the display.
3. Use **<UP>** or **<DOWN>** to adjust the program speed.
4. Press **<ENTER>**.

## Master/Slave Mode

The Master/Slave mode allows a single Swarm Wash FX product (the master) to control the actions of one or more Swarm Wash FX products (the slaves) without the need of a DMX controller. The master will be set to operate in either Automatic or Sound-Active mode, while the slaves will be set to operate in Slave mode. Once set and connected, the slave units will operate in unison with the master.

Configure the products as indicated below.

**For every slave:**

1. Set the product's DMX address to **d001**.



- **Configure all the slave units before connecting the master to the DMX daisy chain.**
- **The display on the slaves will continue to blink until the slaves are receiving a DMX signal from the master.**

**For the master:**

1. Connect the DMX output of the master to the DMX input of the first slave unit.
2. Set the master unit to operate in either Automatic or Sound-Active mode



- **Make sure the master is the first unit in the DMX chain.**
- **Never connect a DMX controller to a DMX chain configured for Master/Slave operation because the controller may interfere with the signals from the master.**
- **Do not connect more than 31 slaves to the master.**

## 5. TECHNICAL INFORMATION

**Product Maintenance** Dust build-up reduces light output performance and can cause overheating. To maintain optimum performance, clean the product at least twice a month. However, usage and environmental conditions contribute to increasing the cleaning frequency.

To clean the product, follow the instructions below:

1. Unplug the product from power.
2. Wait until the product is at room temperature.
3. Use a vacuum (or dry compressed air) and a soft brush to remove dust collected on the external surfaces and fan vents.
4. Clean the optical panel (laser aperture) with a mild solution of optical cleaner or isopropyl alcohol.
5. Apply the solution directly to a soft, lint-free cotton cloth or a lens cleaning tissue.
6. Softly wipe any dirt or grime to the outside edges of the optical.
7. Gently polish the optical surface until they are free of haze and lint.



**Always dry the glass surfaces carefully after cleaning them.**

# 6. TECHNICAL SPECIFICATIONS

Dimensions and Weight	<b>Length</b>	<b>Width</b>	<b>Height</b>	<b>Weight</b>
	13.1 in (335 mm)	13 in (332 mm)	9.4 in (241 mm)	9.2 lb (4.2 kg)
<b>Note: Dimensions in inches rounded to the nearest decimal digit.</b>				
Power	<b>Input Voltage</b>	<b>Range</b>	<b>Voltage Selection</b>	
	Switching (internal)	100–240 VAC, 50/60 Hz	Auto-ranging	
	<b>Parameter</b>	<b>120 V, 60 Hz</b>	<b>230 V, 50 Hz</b>	
	Consumption	40 W	38 W	
	Operating current	0.5 A	0.3 A	
	Power linking current (units)	8 A (15 units)	8 A (26 units)	
	Fuse	T 1.6 A, 250 V	T 1.6 A, 250 V	
	<b>Power I/O</b>	<b>US/Worldwide</b>	<b>UK/Europe</b>	
	Power input connector	IEC	IEC	
	Power output connector	Edison	IEC	
Power cord plug	Edison (US)	Local plug		
Light Source	<b>Laser</b>	<b>Type</b>	<b>Power</b>	<b>Wavelength</b>
		Laser (green)	30 mW	532 nm
		Laser (red)	100 mW	650 nm
Wash LED	<b>Type</b>	<b>Power</b>	<b>Lifespan</b>	
	LED	1.5 W	50,000 hours	
	<b>Color</b>	<b>Quantity</b>	<b>Current</b>	
	Quad-Color RGB+UV	8	600 mA	
Swarm LED	<b>Type</b>	<b>Power</b>	<b>Lifespan</b>	
	LED	3 W	50,000 hours	
	<b>Color</b>	<b>Quantity</b>	<b>Current</b>	
	Red	1	500 mA	
	Green	1	500 mA	
	Blue	1	500 mA	
	Amber	1	500 mA	
White	1	500 mA		
Strobe	<b>Type</b>	<b>Power</b>	<b>Lifespan</b>	
	LED	1 W	50,000 hours	
	<b>Color</b>	<b>Quantity</b>	<b>Current</b>	
	White	12	300 mA	
Photometrics	<b>Parameter</b>			
	Coverage angle (laser)	82°		
	Coverage angle (Swarm)	65°		
	Coverage angle (SMD strobe)	71°		
	Coverage angle (Wash)	46°		
	Strobe rate	0–20 Hz		
Illuminance @ 2 m (strobe)	823 lux			
Thermal	<b>Laser Maximum External Temp</b>	<b>Cooling System</b>		
	95 °F (35 °C)	Convection		
DMX	<b>I/O Connectors</b>	<b>Connector Type</b>	<b>Channel Range</b>	
	3-pin XLR	Sockets	18 or 2	
Ordering	<b>Product Name</b>	<b>Item Code</b>	<b>UPC Code</b>	
	Swarm Wash FX	10051155	781462215033	



# RETURNS

In case you need to get support or return a product:

- If you are located in the U.S., contact Chauvet World Headquarters (see [Contact Us](#)).
- If you are located in the UK or Ireland, contact Chauvet Europe Ltd. (see [Contact Us](#)).
- If you are located in Mexico, contact Chauvet Mexico (see [Contact Us](#)).
- If you are located in Benelux, contact Chauvet Europe BVBA (see [Contact Us](#)).
- If you are located in any other country, DO NOT contact Chauvet. Instead, contact your local distributor. See [www.chauvetlighting.com](http://www.chauvetlighting.com) for distributors outside the U.S., UK, Ireland, Mexico, or Benelux.



**If you are located outside the U.S., UK, Ireland, Mexico, or Benelux, contact your distributor of record and follow their instructions on how to return CHAUVET® products to them. Visit our website [www.chauvetlighting.com](http://www.chauvetlighting.com) for contact details.**

Call the corresponding Chauvet Technical Support office and request a Return Merchandise Authorization (RMA) number before shipping the product. Be prepared to provide the model number, serial number, and a brief description of the cause for the return.

Send the merchandise prepaid, in its original box, and with its original packing and accessories. Chauvet will not issue call tags.

Clearly label the package with the RMA number. Chauvet will refuse any product returned without an RMA number.



**Write the RMA number on a properly affixed label. DO NOT write the RMA number directly on the box.**

Before sending the product, clearly write the following information on a piece of paper and place it inside the box:

- Your name
- Your address
- Your phone number
- RMA number
- A brief description of the problem

Be sure to pack the product properly. Any shipping damage resulting from inadequate packaging will be your responsibility. FedEx packing or double-boxing are recommended.



**Chauvet reserves the right to use its own discretion to repair or replace returned product(s).**

# 1. ANTES DE EMPAR

## Qué va Incluido

- Swarm Wash FX
- Tarjeta de garantía
- Fuente de alimentación externa
- Manual de usuario

## Instrucciones de Desembalaje

Desembale el producto con cuidado inmediatamente y compruebe la caja para asegurarse de que todas las pias están en el paquete y en buen estado.

## Reclamaciones




Si la caja o el contenido (el producto y los accesorios incluidos) parecen dañados a causa del transporte o muestran signos de manipulación inadecuada, notifíquesele inmediatamente al transportista, y no a Chauvet. Si no lo hace oportunamente, puede quedar invalidada su reclamación al transportista. Además, guarde la caja y todo el material de embalaje para su inspección.

Para otras incidencias, como componentes o pias que falten, daños no relacionados con el transporte o daños no evidentes, presente una reclamación a Chauvet en el plazo de 7 días de la entrega.

## Convenciones del Manual

Convención	Significado
1–512	Un rango de valores
50/60	Un conjunto de valores de los cuales solo se puede escoger uno
Settings	Una opción de menú que no se puede modificar
Menu > Settings	Una secuencia de opciones de menú que ha de seguirse
<ENTER>	Una tecla que se tiene que pulsar en el panel de control del producto

## Símbolos

Símbolo	Significado
	Instalación, configuración o información sobre funcionamiento crítica. Hacer caso omiso de esta información puede hacer que el producto no funcione, que se averíe, o causar daños al usuario.
	Instalación o información de configuración importante. El producto puede no funcionar correctamente si esta información no se usa.
	Información útil.

## Exención de responsabilidad

Chauvet cree que la información contenida en este manual es exacta en todos los aspectos. Sin embargo, Chauvet no asume responsabilidad alguna, y queda exenta específicamente de todas y cada una de las responsabilidades y obligaciones, de la clase que sean y para con cualquier parte, por pérdida, perjuicio o trastorno causados por cualquier error u omisión en este documento, tanto si tales errores y omisiones se deben a negligencia o accidente como a cualquier otra causa. Chauvet se reserva el derecho a revisar el contenido de este documento sin ninguna obligación de notificar dicha revisión a ninguna persona o empresa; sin embargo, Chauvet no está en absoluto obligado a hacerlo así, ni se compromete a realizar revisión alguna. Descargue la última versión de [www.chauvetlighting.com](http://www.chauvetlighting.com).

Las obras de autoría contenidas en este manual, incluyendo, pero sin limitarse a ellas, todos los dibujos, textos e imágenes, son propiedad de Chauvet.

© Copyright 2016, Chauvet & Sons, LLC. Todos los derechos reservados.

Publicado en formato electrónico por Chauvet en los Estados Unidos de América.

CHAUVET, el logotipo de Chauvet y Swarm Wash FX son marcas comerciales o marcas registradas de Chauvet & Sons, LLC. (con nombres comerciales Chauvet y Chauvet Lighting) en los Estados Unidos y otros países. Otras empresas, nombres de productos y logotipos a los que se haga referencia aquí pueden ser marcas comerciales de sus respectivas empresas.

## Notas de Seguridad

Las Notas de seguridad incluyen información importante sobre seguridad del sistema láser. Lea y comprenda todas las instrucciones antes de encender el láser por primera vez. Conocer las instrucciones de seguridad es crucial para evitar lesiones oculares y para no infringir la ley. Mantenga este manual de usuario en un lugar seguro para futuras consultas.



### DETÉNGASE Y LEA TODOS LOS DATOS DE SEGURIDAD



- Los láseres pueden ser peligrosos y tienen consideraciones de seguridad particulares. Puede producirse lesión ocular permanente y ceguera si los láseres se usan incorrectamente. Ponga máxima atención a todos los COMENTARIOS y ADVERTENCIAS de seguridad de este manual de usuario. Lea atentamente todas las instrucciones ANTES de poner en funcionamiento este dispositivo.
- Conecte siempre el producto a un circuito con toma de tierra para evitar el riesgo de electrocución.
- Desconecte siempre el producto de la alimentación antes de limpiarlo.
- Evite la exposición directa de los ojos a la fuente de luz mientras el producto esté encendido.
- Asegúrese de que el cable de alimentación no está retorcido ni estropeado.
- Nunca desconecte este producto de la alimentación agarrando o tirando del cable.
- Si monta el producto en alto, asegure siempre a un dispositivo de seguridad usando cable de seguridad.
- Asegúrese de que no hay materiales inflamables cerca del producto cuando esté en funcionamiento.
- No toque la carcasa del producto cuando esté en funcionamiento, porque podría estar muy caliente.
- No quite el soporte en ningún momento. Este producto está concebido para usarse con este soporte.



- Este producto no está concebido para una instalación permanente.
- Asegúrese siempre de que la tensión del enchufe al que conecte el producto está en el rango establecido en el grabado o en el panel posterior del producto.
- ¡El producto es para uso en interiores solamente! (IP20) Para evitar riesgos de incendio o descarga, no exponga el producto a la lluvia o la humedad.
- Instale siempre el producto en una ubicación con ventilación adecuada, al menos a 20" (50 cm) de superficies adyacentes.
- Asegúrese de que ninguna ranura de ventilación en la carcasa del producto queda bloqueada.
- Nunca conecte el producto a un atenuador.
- Use siempre el soporte de montaje para trasladar el producto.
- No Apague/Encienda el producto a intervalos cortos. Esto acortará la vida del diodo láser.
- NO sacuda este producto. Evite usar la fuerza bruta cuando monte o maneje el producto.
- Use SIEMPRE un cable de seguridad cuando monte este producto en lo alto.
- La temperatura ambiente operativa para el láser es de 59 °F a 95 °F (15 °C a 35 °C). No haga funcionar este producto fuera de este rango.
- En caso de un problema grave de funcionamiento, deje de usar el producto inmediatamente.
- Nunca intente reparar el producto. Las reparaciones llevadas a cabo por personal no cualificado pueden provocar averías o funcionamiento defectuoso. Póngase en contacto con el centro de asistencia técnica autorizado más cercano.



- Evite el contacto directo de los ojos con la luz del láser. Nunca exponga intencionadamente sus ojos o los de otras personas a la luz directa del láser.
- Este producto láser puede causar lesiones oculares al instante, o ceguera, si la luz del láser incide directamente en los ojos.
- Es ilegal y peligroso alumbrar con este láser zonas de espectadores en las que el público u otro personal pueda recibir rayos láser o reflejos de su brillo directamente en los ojos.
- En los EEUU es un delito federal dirigir cualquier láser hacia un avión.
- El uso de controles, ajustes o procedimientos distintos a los especificados en este manual de usuario pueden causar exposición peligrosa a la radiación.
- **NO intente ninguna reparación. Las reparaciones y la asistencia deben ser llevadas a cabo por un técnico autorizado. ¡Las modificaciones no autorizadas están prohibidas por motivos de seguridad!**



- **Guarde este manual de usuario para futuras consultas. Si este producto pasa a ser propiedad de otro usuario, asegúrese de que este documento acompaña al láser.**

### Advertencia sobre Carcasa no Cerrada

- Esta unidad contiene internamente dispositivos láser de alta potencia.
- No abra la carcasa del láser, debido a la potencial exposición a niveles no seguros de radiación láser.
- Los niveles de láser a los que se tiene acceso si se abre la unidad pueden causar ceguera instantánea, quemaduras en la piel e incendios.

### Notas de Seguridad sobre Láser

#### DETÉNGASE Y LEA TODAS LAS NOTAS DE SEGURIDAD SOBRE EL LÁSER SIGUIENTES



La luz láser es diferente de cualquier otra fuente de luz. La luz de este producto puede causar lesión ocular si el producto no se instala y usa adecuadamente. La luz láser es miles de veces más concentrada que la luz de cualquier otro tipo de fuente. Esta concentración de luz puede causar lesiones instantáneas en el ojo, fundamentalmente por quemadura de la retina (la zona sensible a la luz en la parte posterior del ojo). Aunque usted no pueda sentir el “calor” de un haz de láser, este puede aún potencialmente lesionar o cegar a usted o al público. Incluso cantidades de luz láser muy pequeñas son potencialmente peligrosas, incluso a largas distancias. Las lesiones oculares por láser pueden ocurrir más rápido de lo que se tarda en parpadear.

**NO** dé por supuesto que porque estos productos recreativos de láser dividan el láser en cientos de haces, y porque el haz de láser se lance a alta velocidad, es segura la exposición del ojo a un haz individual de láser. Este producto de láser utiliza docenas de milivatios de potencia láser (niveles clase 3B internamente) antes de dividirlo en múltiples haces (niveles clase 3R). Muchos de los haces individuales son potencialmente peligrosos para los ojos.

**NO** asuma que porque la luz láser está en movimiento, es segura. La luz láser no está nunca libre de riesgo, ni aunque el haz se mueva siempre. Puesto que las lesiones oculares pueden producirse instantáneamente, es crítico prevenir la posibilidad de CUALQUIER exposición directa al ojo. Según las disposiciones de seguridad láser, no es legal apuntar con láseres Clase 3a hacia áreas en las que las personas puedan quedar expuestas. Esto se aplica incluso si se apunta con el láser por debajo de las caras de la gente, por ejemplo hacia la pista de baile.



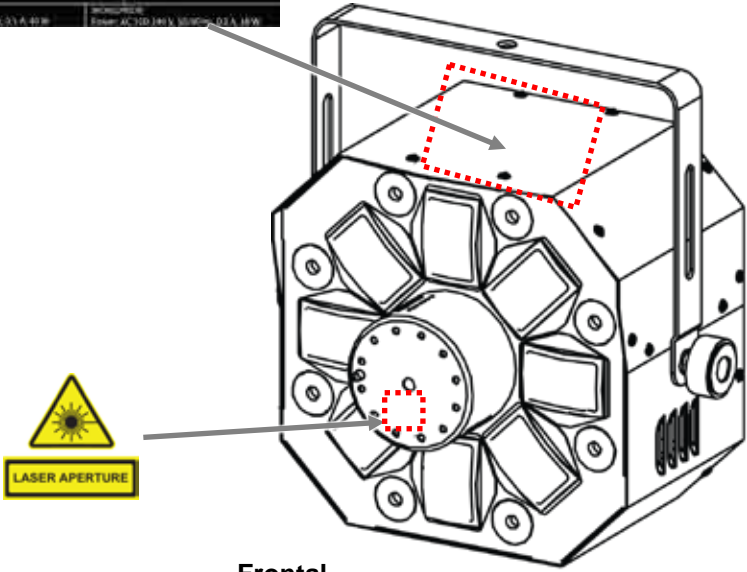
- No ponga en funcionamiento el láser sin primero leer y comprender todos los datos técnicos y de seguridad de este manual.
- Ubique e instale todos los efectos láser **SIEMPRE** de forma que toda la luz láser esté al menos a 3 m (9,8 pies) sobre el nivel del suelo en el que se encuentra la gente. Vea la sección [Uso Adecuado](#) de este manual.
- Después de la instalación, y antes de su uso público, pruebe el láser para asegurarse de que funciona adecuadamente. No lo use si detecta cualquier defecto.
- **NO** use el láser si este emite solo uno o dos haces en lugar de docenas/centenares, pues esto podría indicar una avería en la óptica de la rejilla de difracción, y podría permitir la emisión de niveles de láser por encima de la Clase 3R.
- **NO** apunte con láser a personas o animales.
- Nunca mire a la apertura del láser o a los haces de láser.
- **NO** apunte con el láser hacia áreas en las que las personas pudieran quedar expuestas, como balcones sin vigilancia, etc.
- **NO** apunte con láseres a superficies muy reflectantes como ventanas, espejos y metal pulido. Incluso los reflejos del láser pueden ser peligrosos.
- Nunca apunte con el láser a un avión, pues constituye delito según las leyes de EE.UU.
- Nunca apunte hacia el cielo con haces láser sueltos.
- No exponga la óptica de salida (apertura) a productos de limpieza químicos.
- No use el láser si la carcasa está averiada o abierta, o si la óptica parece dañada de cualquier modo.
- Nunca abra la carcasa del láser. Los altos niveles de potencia láser dentro de la carcasa protectora pueden originar incendios o quemaduras en la piel y causarán lesiones oculares al instante.
- Nunca deje este producto en funcionamiento sin vigilancia.
- El funcionamiento de un láser de espectáculo de Clase 3R solo se permite si el espectáculo es controlado por un operador experimentado y bien formado, familiarizado con los datos contenidos en este manual.
- Los requisitos legales para usar productos de láser recreativo varían de un país a otro. El usuario es responsable de los requisitos legales del lugar/país en que lo utilice.



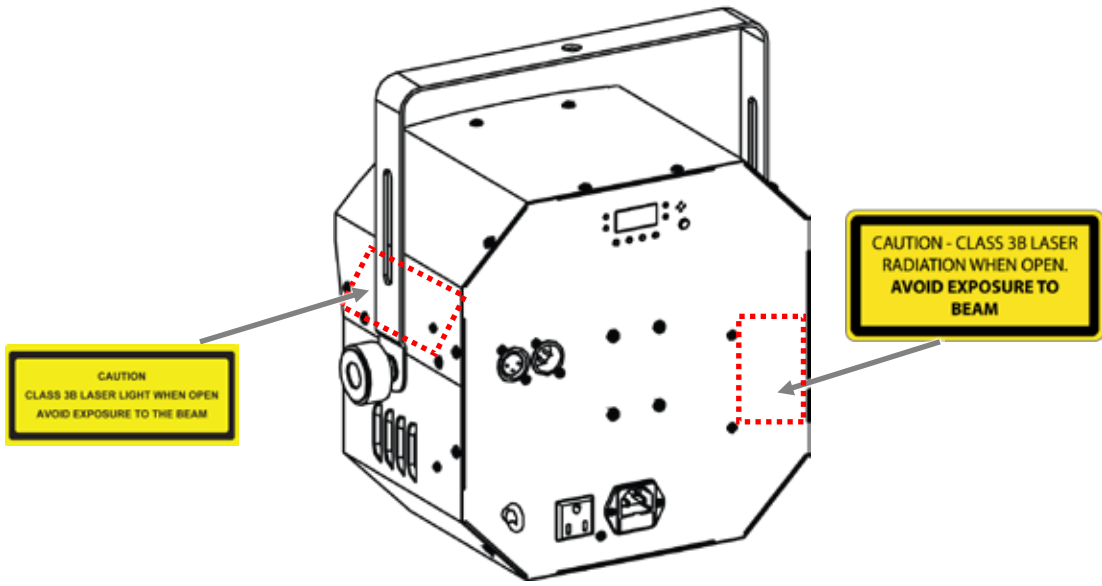
**¡CUIDADO! NO ponga en funcionamiento este dispositivo en formas no especificadas en este manual de usuario. No seguir las instrucciones invalidará la garantía, podría dañar el producto o lesionar al usuario o al público.**

**¡CUIDADO! Este producto no se puede tirar con la basura doméstica. Póngase en contacto con el servicio de recogida para la eliminación de aparatos electrónicos de su zona.**

# Reproducción de la etiqueta de seguridad del láser



Frontal



Inferior

**Advertencia sobre Exposición al Láser**



**LUZ LÁSER EVITE LA EXPOSICIÓN DIRECTA AL OJO**

Se pueden encontrar más directrices y programas de seguridad para el uso seguro de láseres en la Normativa ANSI Z136.1 "Para uso seguro de Láseres", disponible en el Laser Institute of America: [www.laserinstitute.org](http://www.laserinstitute.org). Muchos gobiernos locales, corporaciones, agencias, ejército y otros requieren que todos los láseres se usen bajo las directrices de ANSI Z136.1. La guía Laser Display puede obtenerse de la International Laser Display Association: [www.laserist.org](http://www.laserist.org).

**Datos de Emisión Láser**

\*Según medida bajo condiciones de medición IEC para clasificación.

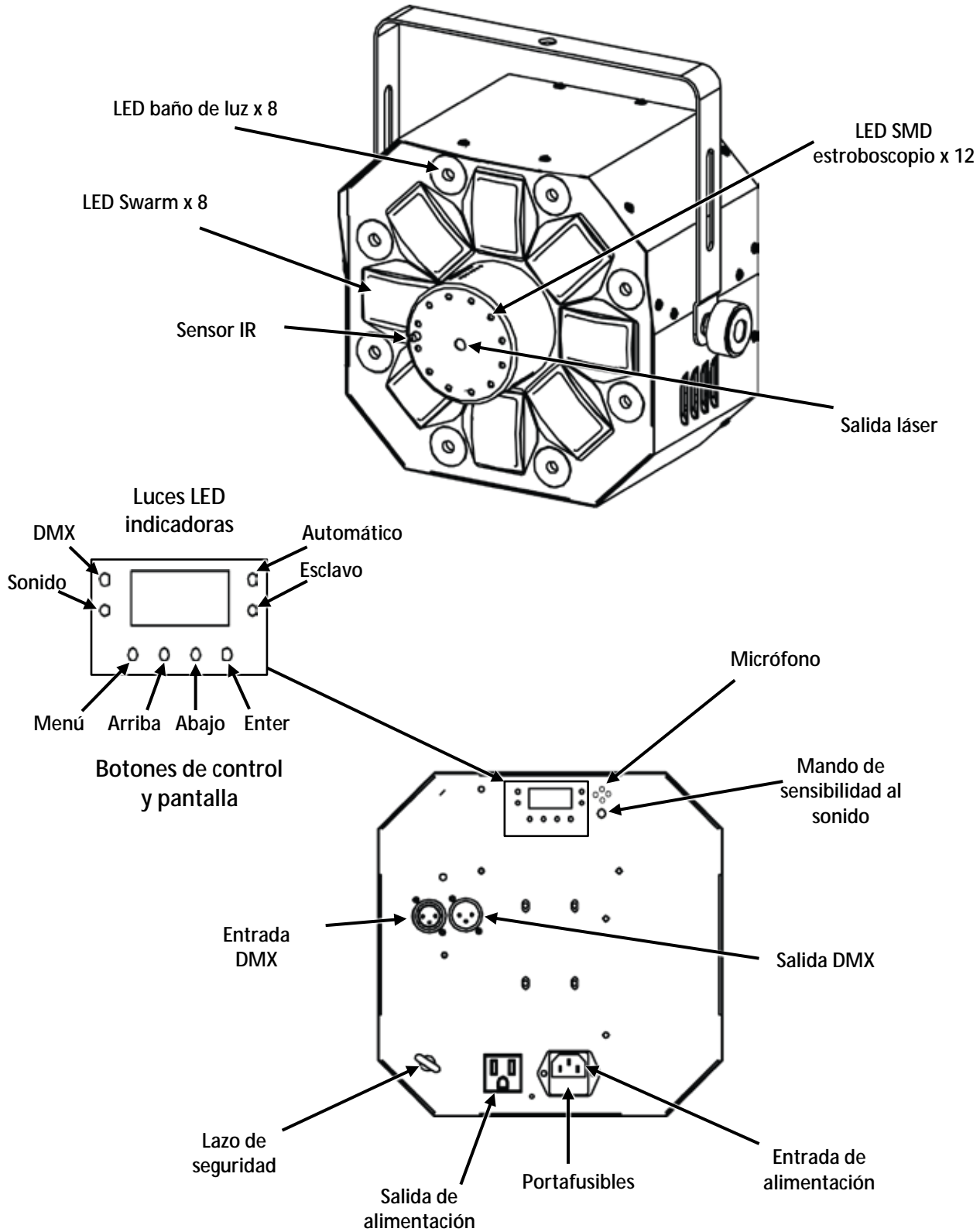
<b>Clasificación láser</b>	Class 3R
<b>Láser Verde Medio</b>	DPSS Nd:YVO4, 532 nm/30 mW
<b>Láser Rojo Medio</b>	LD GaAlAs, 650 nm/100 mW
<b>Diámetro del haz</b>	<5 mm at aperture
<b>Datos de pulso</b>	All pulses < 4 Hz (>0.25 sec)
<b>Divergencia (cada haz)</b>	<2 mrad
<b>Divergencia (luz total)</b>	<160 degrees
<b>Potencia láser de cada haz en la apertura*</b>	<5 mW

**Declaración de Conformidad Láser**

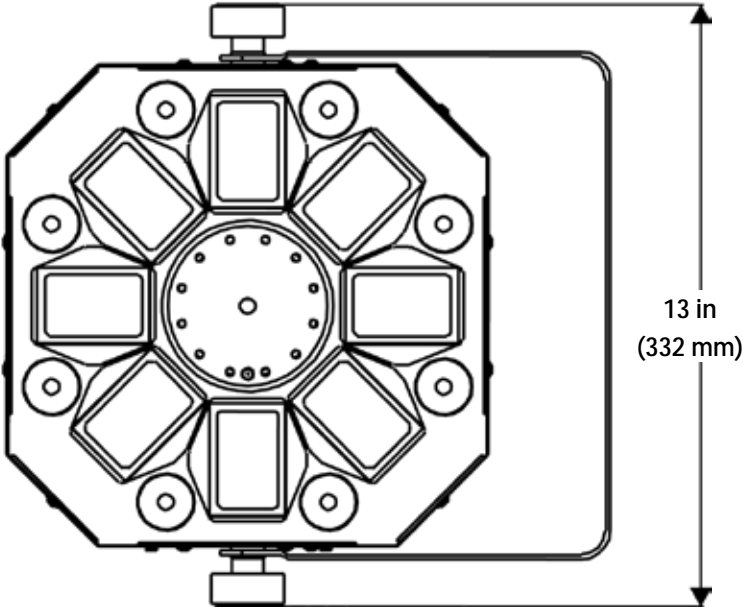
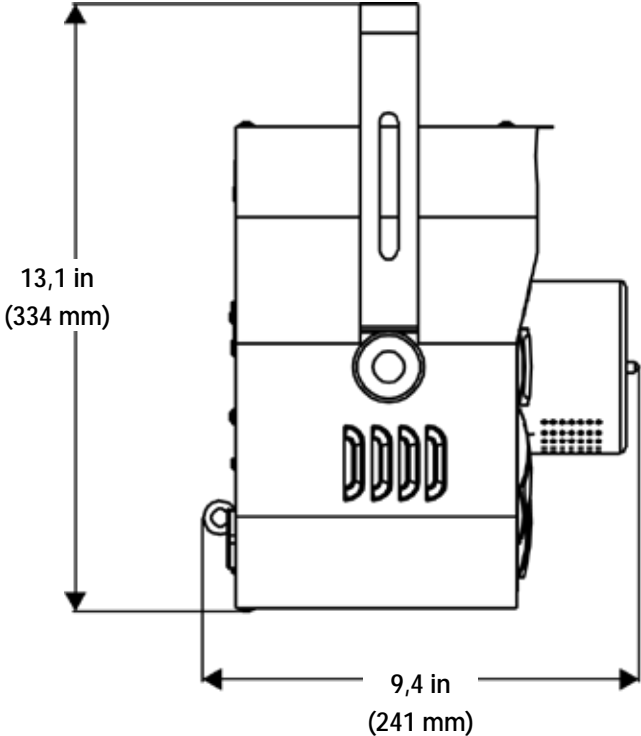
Este producto láser cumple las directivas EN/IEC 60825-1 Ed 2, 2007-03, y U.S. FDA/CDRH FLPPS mediante las condiciones de Laser Notice No. 50 de fecha 24 de junio de 2007. Este dispositivo láser está clasificado como 3R. (La Clase 3R es el equivalente internacional a la Clase IIIa de EEUU). No es necesario ningún mantenimiento para que este producto siga cumpliendo los estándares de rendimiento láser.

# 2. INTRODUCCIÓN

## Vista general



# Dimensiones



# 3. INSTALACIÓN

## Corriente Alterna

El Swarm Wash FX tiene una fuente de alimentación con detección automática que puede funcionar con un rango de tensión de entrada de 100 a 240 VCA, 50/60 Hz.

Para determinar los requerimientos de alimentación (disyuntor, toma de alimentación y cableado), use el valor de tensión que aparece en la etiqueta fijada en el panel trasero del producto o consulte las [Especificaciones técnicas](#). La especificación de corriente listada indica el consumo de corriente promedio en condiciones normales.



- **Conecte siempre el producto a un circuito protegido (disyuntor o fusible). Asegúrese de que el producto tiene una toma de tierra adecuada para evitar el riesgo de electrocución o incendio.**
- **Para evitar un desgaste innecesario y alargar su vida útil, desconecte completamente el producto de la alimentación, mediante el interruptor o desenchufándolo, durante los periodos en los que no se use.**



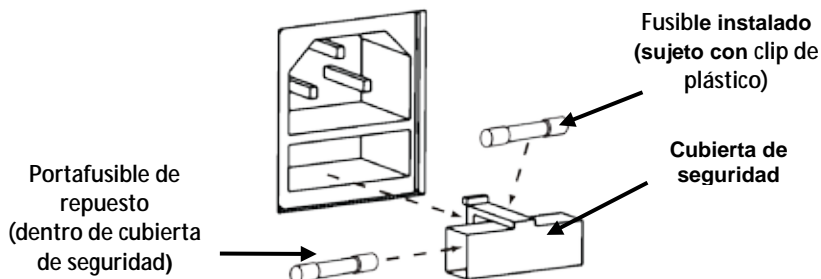
**Nunca conecte el producto a un reostato (resistor variable) o circuito de atenuación, incluso si el canal del reostato o atenuador sirve solo como conmutador 0 a 100%.**

## Sustitución del Fusible

1. Desconecte el producto de la alimentación.
2. Haga cuña con la punta de un destornillador plano en la ranura del portafusibles.
3. Saque el portafusibles de la carcasa.
4. Quite el fusible fundido del soporte.
5. Sustitúyalo con un fusible del mismo tipo y categoría exactamente.
6. Vuelva a colocar el portafusibles en su sitio y conecte de nuevo la alimentación.



**Desconecte el producto de la alimentación antes de sustituir el fusible.**



## Alimentación en cadena

Alimentación en cadena es cuando los productos se conectan en cadena por las tomas de entrada y salida de alimentación, permitiendo la alimentación de muchos productos con un solo enchufe.

Se pueden alimentar en cadena hasta 15 productos Swarm Wash FX a 120 V, y hasta 26 productos Swarm Wash FX a 230 V.

El diagrama inferior muestra el proceso de alimentación en cadena.

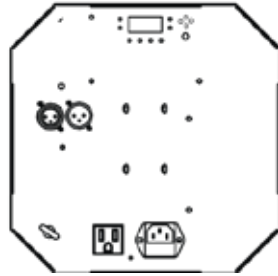
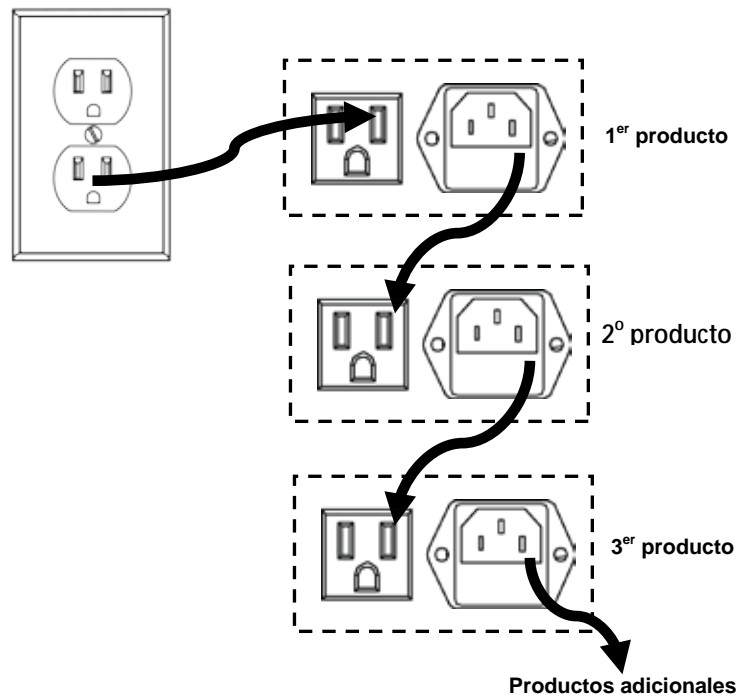


Diagrama de alimentación en cadena



No alimente en cadena más de 15 Swarm Wash FX a 120 V.  
No alimente en cadena más de 26 Swarm Wash FX a 230 V.



¡El diagrama de alimentación de cadena de arriba muestra solamente la versión del producto de América del Norte!

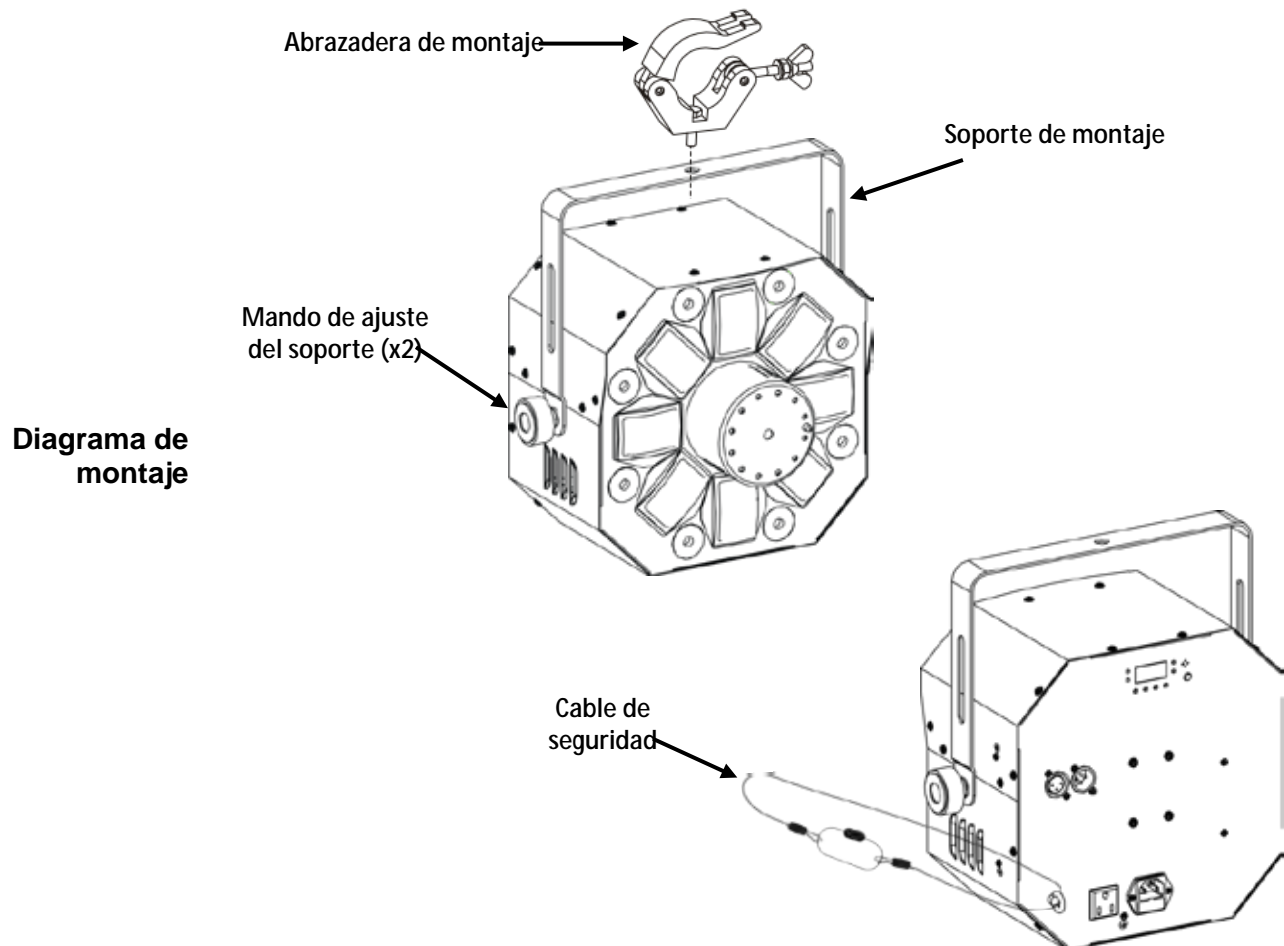
Los requisitos y conectores de alimentación en cadena difieren de un país a otro y de una región a otra.

Si usa este producto en un lugar distinto de América del Norte, consulte con el distribuidor local de Chauvet.

**Montaje** Antes de montar el producto, lea y siga las recomendaciones de seguridad indicadas en las Notas de Seguridad. Utilice por lo menos un punto de montaje por producto. Asegúrese de que abrazadera de montaje (como **CLP-15** de Chauvet) es capaz de soportar el peso del producto. Para nuestra línea Chauvet de abrazaderas de montaje, visite [www.chauvetlighting.com/cables-clamps-main.html](http://www.chauvetlighting.com/cables-clamps-main.html).

**Orientación** El Swarm Wash FX se debe montar en un posición preparada para uso seguro de láser. Además, asegúrese de proporcionar una ventilación adecuada alrededor del producto.

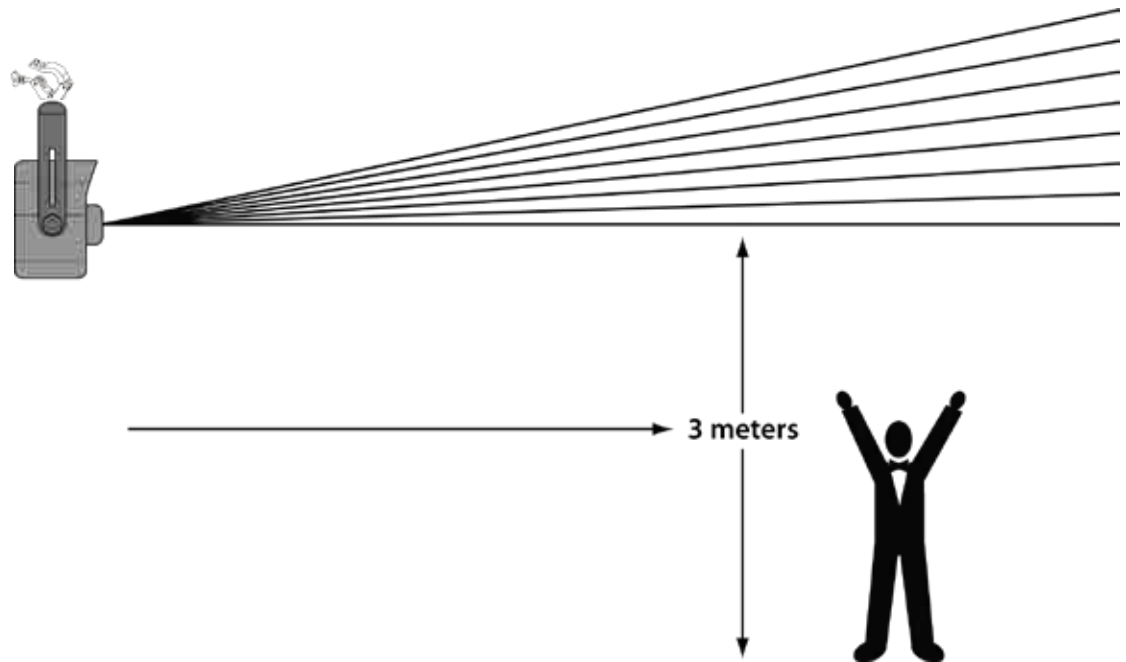
- Colocación**
- Antes de decidir una ubicación para el producto, asegúrese siempre de que hay fácil acceso al producto para su mantenimiento y programación.
  - Asegúrese de que la estructura o superficie sobre la que está montando el producto puede soportar su peso (vea las Especificaciones Técnicas).
  - Cuando monte este producto en alto, use siempre un cable de seguridad (como CH-05 de Chauvet). Monte el producto con seguridad a un punto de anclaje, como una plataforma elevada o un truss.
  - Cuando cuelgue el producto de un truss, debe usar una abrazadera de montaje con la resistencia al peso adecuada. El soporte tiene un agujero de 13 mm, que es adecuado para este propósito.
  - Los mandos de ajuste del soporte permiten el ajuste direccional para dirigir el producto hacia el ángulo deseado. Apriete y afloje los mandos de soporte únicamente con la mano. Usar herramientas podría estropear los mandos.





**Uso Adecuado** Este producto es para montaje en alto solamente. Por seguridad, Chauvet recomienda montar los productos de efectos de iluminación sobre plataformas estables y elevadas, o en soportes en alto sólidos utilizando abrazaderas apropiadas para colgar. En todos los casos, utilice cables de seguridad. Obtenga el material de fijación apropiado de su proveedor de iluminación.

**Las disposiciones internacionales de seguridad láser precisan que los productos de láser se manejen de la forma mostrada a continuación, con una separación vertical mínima de 3 metros (9,8 pies) entre el suelo y la luz láser más baja. Además, se requiere una separación horizontal de 3 metros entre la luz láser y los espectadores u otros espacios públicos.**



**¡CUIDADO! EL USO DE CONTROLES, AJUSTES O PROCEDIMIENTOS DISTINTOS A LOS QUE SE ESPECIFICAN EN ESTE MANUAL DE USUARIO PUEDEN CAUSAR EXPOSICIÓN PELIGROSA A LA RADIACIÓN.**

## 4. FUNCIONAMIENTO

Este producto no está diseñado para un uso continuo. Asegúrese de que hace descansos regulares durante su funcionamiento para maximizar la vida de su láser. Desconecte siempre el Swarm Wash FX de la alimentación cuando no lo use.

**Manejo del Panel de Control** Para acceder a las funciones del panel de control, use los cuatro botones ubicados bajo la pantalla. Cuando el producto esté encendido, el monitor LED de la parte posterior mostrará el modo de funcionamiento actual (independiente o DMX). El producto mantendrá la configuración guardada cuando se apagó la última vez.

Botón	Función
<MENU>	Selecciona un modo de funcionamiento o regresa a la opción de menú actual
<UP>	Se desplaza hacia arriba por la lista de opciones o selecciona un valor más alto
<DOWN>	Se desplaza hacia abajo por la lista de opciones o selecciona un valor inferior
<ENTER>	Activa una opción de menú o valor seleccionado

### Mapa de menú

Modo	Pasos de programación		Descripción
DMX	2-CH	d001–d511	Configura la dirección DMX y la personalidad
	18CH	d001–d495	
Automático	P--	P 1-15	Selecciona el efecto del programa Automático y la velocidad (lenta a rápida)
Velocidad	S--	S.01–S.99	Velocidad para el modo Sonido y programas automáticos
Sonido	SND	SN 1-15	Selecciona los efectos del programa en el modo Activo por sonido
Función IR	SET	ON	Apaga/enciende las funciones de IR
		OFF	

### Modos Automático y Sonido definidos

Programa	Efecto
1	Todos los efectos: derby, láser, estroboscopios y baño de luz
2	Solo baño de luz
3	Solo láser
4	Solo derby
5	Solo estroboscopios
6	Baño de luz, láser y derby
7	Baño de luz, láser y estroboscopios
8	Baño de luz, derby y estroboscopios
9	Láser, derby y estroboscopios
10	Baño de luz y láser
11	Baño de luz y derby
12	Baño de luz y estroboscopios
13	Láser y derby
14	Láser y estroboscopios
15	Derby y estroboscopios

## Configuración (DMX)

Configure el producto en modo DMX para controlarlo con un controlador DMX. El producto usa un cable DMX de 3 pines.

1. Conecte el producto a una toma de corriente adecuada.
2. Conecte un cable DMX de la salida DMX del controlador DMX al conector de entrada DMX del producto.

## Dirección de inicio

Cuando seleccione una dirección DMX de inicio, tenga en cuenta siempre el número de canales DMX que usa el dispositivo. Si escoge una dirección de inicio que es demasiado alta, podría estar restringiendo el acceso a alguno de los canales del producto.

El Swarm Wash FX usa 2 o 18 canales DMX, lo que significa que la dirección DMX más alta que puede emplear en el modo de 18 canales es **495**.

Si no está familiarizado con el protocolo DMX, descargue el Manual DMX de <http://www.chauvetlighting.com>.

Para seleccionar la dirección DMX de inicio, haga lo siguiente:

1. Pulse **<MENU>** repetidamente hasta que **02CH o 18CH** parpadee en la pantalla y se encienda la luz DMX.
2. Pulse **<ENTER>** y **d001–d495** aparecerá en la pantalla.
3. Utilice **<UP>** o **<DOWN>** para seleccionar la dirección de inicio.
4. Pulse **<ENTER>** para poner el dispositivo en modo DMX. La pantalla continuará parpadeando.



**La pantalla continuará parpadeando hasta que el dispositivo reciba una señal DMX.**

## Valores y asignaciones de canal DMX

18 canales	Canal	Función	Valor	Configuración
1		Programas automáticos	000 ó 015	Blackout
			016 ó 030	Solo baño de luz
			031 ó 045	Solo láseres
			046 ó 060	Solo derby
			061 ó 075	Solo estroboscopios
			076 ó 090	Baño de luz, láser y derby
			091 ó 105	Baño de luz, láser y estroboscopios
			106 ó 120	Baño de luz, derby y estroboscopios
			121 ó 135	Láser, derby y estroboscopios
			136 ó 150	Baño de luz y láser
			151 ó 165	Baño de luz y derby
			166 ó 180	Baño de luz y estroboscopios
			181 ó 195	Láser y derby
			196 ó 210	Láser y estroboscopios
			211 ó 225	Derby y estroboscopios
226 ó 255	Todos los efectos			
2		Velocidad del programa automático	000 ó 200	Selecciona la velocidad (lenta a rápida)
		Modo Activo por Sonido	201 ó 255	Modo Activo por sonido: todos los efectos
3–10		Baño de luz, grupo 1–8	001 ó 051	Blackout
			052 ó 102	Rojo
			103 ó 153	Verde
			154 ó 204	Azul
			205 ó 255	UV
11		Baño de luz estroboscopio	000 ó 255	Velocidad de estroboscopio (lenta a rápida)

**18 canales**

Canal	Función	Valor	Configuración
12	Derby	000 ó 009	Blackout
		010 ó 014	Rojo
		015 ó 019	Verde
		020 ó 024	Azul
		025 ó 029	Ámbar
		030 ó 034	Blanco
		035 ó 039	Blanco + Rojo
		040 ó 044	Rojo + Verde
		045 ó 049	Verde + Azul
		050 ó 054	Azul + Ámbar
		055 ó 059	Ámbar + Blanco
		060 ó 064	Blanco + Verde
		065 ó 069	Verde + Ámbar
		070 ó 074	Ámbar + Rojo
		075 ó 079	Rojo + Azul
		080 ó 084	Azul + Blanco
		085 ó 089	Rojo + Verde + Azul
		090 ó 094	Rojo + Verde + Ámbar
		095 ó 099	Rojo + Verde + Blanco
		100 ó 104	Rojo + Ámbar + Azul
		105 ó 109	Rojo + Blanco + Azul
		110 ó 114	Rojo + Ámbar + Blanco
		115 ó 119	Ámbar + Verde + Azul
		120 ó 124	Azul + Verde + Blanco
		125 ó 129	Ámbar + Verde + Blanco
		130 ó 134	Ámbar + Blanco + Azul
		135 ó 139	Rojo + Verde + Azul + Ámbar
		140 ó 144	Rojo + Verde + Azul + Blanco
		145 ó 149	Verde + Azul + Ámbar + Blanco
		150 ó 154	Rojo + Verde + Ámbar + Blanco
155 ó 159	Rojo + Azul + Ámbar + Blanco		
160 ó 164	Rojo + Verde + Azul + Ámbar + Blanco		
165 ó 209	Automático (solo colores simples)		
210 ó 222	Automático (dos colores a la vez)		
223 ó 255	Sonido automático		

**18 canales**

Canal	Función	Valor	Configuración
13	Estroboscopio derby	000 ó 004	Sin función
		005 ó 200	Velocidad de estroboscopio (rápida a lenta)
		201 ó 255	Modo Activo por sonido
14	Velocidad derby	000 ó 004	Parada
		005 ó 127	Giro a la derecha (lento a rápido)
		128 ó 133	Parada
		134 ó 255	Giro a la izquierda (lento a rápido)
15	Estroboscopio SMD	000 ó 009	Blackout
		010 ó 019	Programa automático 1 (rápido a lento)
		020 ó 029	Programa automático 2 (rápido a lento)
		030 ó 039	Programa automático 3 (rápido a lento)
		040 ó 049	Programa automático 4 (rápido a lento)
		050 ó 059	Programa automático 5 (rápido a lento)
		060 ó 069	Programa automático 6 (rápido a lento)
		070 ó 079	Programas automáticos 7 (rápido a lento)
		080 ó 089	Programas automáticos 8 (rápido a lento)
		090 ó 099	Programas automáticos 9 (rápido a lento)
		100 ó 109	Programas automáticos 10 (rápido a lento)
		110 ó 119	Programas automáticos 11 (rápido a lento)
		120 ó 200	Todo encendido
16	Láseres	000 ó 009	Blackout
		010 ó 049	Rojo encendido
		050 ó 089	Verde encendido
		090 ó 129	Verde y rojo, estroboscopio alterno
		130 ó 169	Rojo encendido y estroboscopio verde
		170 ó 209	Verde encendido y estroboscopio rojo
		210 ó 255	Rojo y estroboscopio verde
17	Láser Estroboscopio	000 ó 004	Sin función
		005 ó 254	Estroboscopio (rápido a lento)
		255	Estroboscopio activo por sonido
18	Motor LED	000 ó 004	Parada
		005 ó 127	Giro a la derecha (lento a rápido)
		128 ó 133	Parada
		134 ó 255	Giro a la izquierda (lento a rápido)

**02 canales**

Canal	Función	Valor	Configuración
1	Programas automáticos	000 ó 015	Blackout
		016 ó 030	Solo baño de luz
		031 ó 045	Solo láseres
		046 ó 060	Solo derby
		061 ó 075	Solo estroboscopios
		076 ó 090	Baño de luz, láser y derby
		091 ó 105	Baño de luz, láser y estroboscopios
		106 ó 120	Baño de luz, derby y estroboscopios
		121 ó 135	Láser, derby y estroboscopios
		136 ó 150	Baño de luz y láser
		151 ó 165	Baño de luz y derby
		166 ó 180	Baño de luz y estroboscopios
		181 ó 195	Láser y derby
		196 ó 210	Láser y estroboscopios
		211 ó 225	Derby y estroboscopios
226 ó 255	Todos los efectos		
2	Velocidad del programa automático	000 ó 200	Selecciona la velocidad (lenta a rápida)
	Modo Activo por sonido	201 ó 255	Modo Activo por sonido: todos los efectos



Para el funcionamiento manual de LED y láseres usando el control DMX, asegúrese de que el canal 1 está configurado en la dirección DMX correcta.

## Control remoto por infrarrojos IRC-6

El Swarm Wash FX es compatible con el control remoto por infrarrojos IRC-6 de Chauvet. Para activar el modo IR, pulse cualquier botón del IRC-6.

**Asegúrese de que el mando a distancia IRC-6 apunta directamente al producto y de que no hay nada entre el mando a distancia y el producto.**

### IRC-6 Funcionamiento



#### Modo Automático

Para hacer funcionar el producto en el programa automático.

1. Pulse **<AUTO>** en el IRC-6.

#### Modo Activo por sonido

Para hacer funcionar el producto en el programa Activo por sonido.

1. Pulse **<SOUND>** en el IRC-6.

#### Ajustar la velocidad

Para ajustar la velocidad del programa automático:

1. Pulse **<SPEED>**
2. Pulse **<+>** o **<->** para aumentar o disminuir la velocidad del programa.

**Para modificar los efectos de los modos Auto y Activo por sonido con los botones del IRC-6:**

Modo Auto/Modo Activo por sonido
<1>: encender/apagar el efecto de baño de luz
<2>: encender/apagar el efecto derby
<3>: encender/apagar el efecto láser
<4>: encender/apagar el efecto estroboscopio

#### Blackout

Para interrumpir la emisión de luz:

Pulse **<BLACK OUT>** en el IRC.

Esto apagará la luz hasta que vuelva a pulsar el botón de nuevo.

**NOTA:** El IRC no responderá a ninguna acción cuando esté activado el Black Out. Si el mando no responde cuando se pulsa un botón, inténtelo pulsando **<BLACK OUT>**. Usted puede haber activado Black Out involuntariamente.



**Todos los demás botones del mando a distancia por infrarrojos IRC-6 no funcionan con este producto.**



## Configuración (Independiente)

Configure el producto en uno de los modos independientes para controlarlo sin controlador DMX.

Conecte el producto a una toma de corriente adecuada.



**Nunca conecte un producto que está funcionando en cualquier modo independiente (Estático, Automático o Sonido) a una línea DMX conectada a un controlador DMX. Los productos en modo Independiente pueden transmitir señales DMX que podrían interferir con las señales DMX del controlador.**

## Modo Activo por sonido

Para seleccionar el modo Activo por sonido, haga lo siguiente:

1. Pulse <MENU> repetidamente hasta que aparezca **SND** parpadeando en la pantalla.
2. **SN1—SN15** parpadea en la pantalla y se enciende la luz de Sonido.
3. Utilice <UP> o <DOWN> para seleccionar el programa Activo por sonido deseado.
4. Pulse <ENTER> para poner el dispositivo en el modo Activo por sonido seleccionado.
5. Encienda la música y ajuste el mando de sensibilidad al sonido hasta que el producto empiece a responder al ritmo de la música.



**El producto solo responderá a bajas frecuencias en la música (graves y percusión).**

**El láser se quedará en blackout (oscuridad total) en modo Activo por sonido tras 3 segundos de silencio o sonido por debajo del nivel de sensibilidad.**

## Modo Automático

Para habilitar el modo Automático, siga las instrucciones siguientes:

1. Pulse <MENU> repetidamente hasta que aparezca **P--** parpadeando en la pantalla.
2. **P 1—P15** parpadea en la pantalla y se enciende la luz de Auto.
3. Utilice <UP> o <DOWN> para seleccionar el modo Automático deseado.
4. Pulse <ENTER>.

## Ajuste de la velocidad

Para cambiar la velocidad del modo Auto o Activo por sonido, siga las siguientes instrucciones:

1. Pulse <MENU> repetidamente hasta que aparezca **S--** en la pantalla.
2. Pulse <ENTER> y **S.01—S.99** aparecerá en la pantalla.
3. Utilice <UP> o <DOWN> para ajustar la velocidad del programa.
4. Pulse <ENTER>.

## Modo Maestro/Esclavo

El modo Maestro/Esclavo permite que un solo producto Swarm Wash FX (el maestro), controle las acciones de uno o más productos Swarm Wash FX (los esclavos) sin necesidad de un controlador DMX. El maestro se configurará para funcionar bien en modo Automático bien en modo Activo por Sonido, mientras que los esclavos se configurarán para funcionar en modo Esclavo. Una vez configuradas y conectadas, las unidades esclavo funcionarán al unísono con su maestro.

Configure los productos como se indica a continuación.

**Para cada esclavo:**

1. Configure la dirección DMX como **d001**.



· **Configure todas las unidades esclavo antes de conectar la unidad maestro a la cadena DMX.**

· **La pantalla de los esclavos continuará parpadeando hasta que los esclavos reciban una señal DMX del maestro.**

**Para el maestro:**

1. Conecte la salida DMX del maestro a la entrada DMX de la primera unidad esclavo.
2. Configure la unidad maestro para funcionar en modo Automático o Activo por Sonido

· **Asegúrese de que la unidad maestro es la primera unidad de la cadena DMX.**



· **Nunca conecte un controlador DMX a una cadena DMX configurada para funcionamiento Maestro/Esclavo, porque el controlador puede interferir con las señales del maestro.**

· **No conecte más de 31 esclavos al maestro.**

## 5. INFORMACIÓN TÉCNICA

**Mantenimiento del Producto** El polvo acumulado reduce el rendimiento de la salida de luz y puede provocar sobrecalentamiento. Para mantener un rendimiento óptimo, limpie el producto al menos dos veces al mes.

Sin embargo, el uso y las condiciones ambientales influyen para un aumento de la frecuencia de limpieza.

Para limpiar el producto, siga las instrucciones siguientes:

1. Desenchufe el producto de la alimentación.
2. Espere a que el producto esté a temperatura ambiente.
3. Use un aspirador (o aire seco comprimido) y un cepillo suave para quitar el polvo depositado en las superficies externas y los orificios de aireación de los ventiladores.
4. Limpie el panel de cristal (apertura del láser) con una solución suave de limpiador de cristales o alcohol isopropílico.
5. Aplique la solución directamente sobre un paño suave que no deje pelusa o un paño de limpiar lentes.
6. Con suavidad, quite todo el polvo o suciedad de los bordes externos del cristal.
7. Con cuidado, frote la superficie hasta que no quede turbiedad ni pelusas.



**Seque siempre con cuidado las superficies de cristal después de limpiarlas.**

## 6. ESPECIFICACIONES TÉCNICAS

Dimensiones y peso	<b>Longitud</b>	<b>Anchura</b>	<b>Altura</b>	<b>Peso</b>
	13,1 in (335 mm)	13 in (332 mm)	9,4 in (241 mm)	9,2 lb (4,2 kg)
<b>Nota: las dimensiones en pulgadas están redondeadas al dígito decimal más próximo.</b>				
Alimentación	<b>Tensión de entrada</b>	<b>Rango</b>	<b>Selección de tensión</b>	
	Conmutación (interna)	100–240 VCA, 50/60 Hz	Detección automática (autorango)	
	<b>Parámetro</b>	<b>120 V, 60 Hz</b>	<b>230 V, 50 Hz</b>	
	Consumo	40 W	38 W	
	Corriente de funcionamiento	0,5 A	0,3 A	
	Intensidad de alimentación en cadena (unidades)	8 A (15 unidades)	8 A (26 unidades)	
	Fusible	T 1.6 A, 250 V	T 1.6 A, 250 V	
	<b>E/S alimentación</b>	<b>US/Mundial</b>	<b>UK/Europa</b>	
	Conector de entrada de alimentación	IEC	IEC	
	Conector de salida de alimentación	Edison	IEC	
Enchufe del cable de alimentación	Edison (EE. UU.)	Enchufe local		
Fuente de luz				
Láser	<b>Tipo</b>	<b>Alimentación</b>	<b>Longitud de onda</b>	
	Láser (verde)	30 mW	532 nm	
	Láser (rojo)	100 mW	650 nm	
LED baño de luz	<b>Tipo</b>	<b>Alimentación</b>	<b>Vida útil</b>	
	LED	1,5 W	50.000 horas	
	<b>Color</b>	<b>Cantidad</b>	<b>Intensidad</b>	
	Cuatro colores RGB+UV	8	600 mA	
LED Swarm	<b>Tipo</b>	<b>Alimentación</b>	<b>Vida útil</b>	
	LED	3 W	50.000 horas	
	<b>Color</b>	<b>Cantidad</b>	<b>Intensidad</b>	
	Rojo	1	500 mA	
	Verde	1	500 mA	
	Azul	1	500 mA	
	Ámbar	1	500 mA	
Blanco	1	500 mA		
Estroboscopio	<b>Tipo</b>	<b>Alimentación</b>	<b>Vida útil</b>	
	LED	1 W	50.000 horas	
	<b>Color</b>	<b>Cantidad</b>	<b>Intensidad</b>	
	Blanco	12	300 mA	
Fotométrica	<b>Parámetro</b>			
	Ángulo cobertura (láser)	82°		
	Ángulo cobertura (Swarm)	65°		
	Ángulo cobertura (estroboscopio SMD)	71°		
	Ángulo cobertura (baño de luz)	46°		
	Frecuencia estroboscopio	0-20 Hz		
Iluminancia a 2 m (estroboscopio)	823 lux			
Térmicas	<b>Temp. externa máxima del láser</b>	<b>Sistema de refrigeración</b>		
	95 °F (35 °C)	Convección		
DMX	<b>Conectores E/S</b>	<b>Tipo de conector</b>	<b>Rango de canal</b>	
	XLR 3 pines	Conectores	18 o 2	
Pedidos	<b>Nombre de producto</b>	<b>Código de artículo</b>	<b>Código UPC</b>	
	Swarm Wash FX	10051155	781462215033	

## DEVOLUCIONES

En caso de que necesite asistencia o devolver un producto:

- Si se encuentra en EE. UU., póngase en contacto con la Oficina Central de Chauvet (vea [Contacto](#)).
- Si se encuentra en el Reino Unido o Irlanda, póngase en contacto con Chauvet Europe Ltd. (vea [Contacto](#)).
- Si se encuentra en México, póngase en contacto con Chauvet Mexico (vea [Contacto](#)).
- Si se encuentra en Benelux, póngase en contacto con Chauvet Europe BVBA (vea [Contacto](#)).
- Si se encuentra en cualquier otro país, NO contacte con Chauvet. Contacte con su distribuidor local. Vea [www.chauvetlighting.com](http://www.chauvetlighting.com) para distribuidores fuera de EE.UU., Reino Unido, Irlanda, México, o Benelux.



**Si se encuentra fuera de los EE.UU., Reino Unido, Irlanda, México, o Benelux, póngase en contacto con su distribuidor de registro y siga sus instrucciones sobre cómo devolverle a ellos los productos CHAUVET®. Visite [www.chauvetlighting.com](http://www.chauvetlighting.com) para detalles de contacto.**

Llame a la oficina de Asistencia Técnica Chauvet correspondiente y pida un número de Autorización de Devolución de la mercancía (RMA) antes de enviar el producto. Esté preparado para proporcionar el número de modelo, número de serie y una breve descripción de la causa de la devolución.

Envíe la mercancía a portes pagados, en su caja original y con su embalaje y accesorios originales. Chauvet no expedirá etiquetas de devolución.

Etiquete el paquete claramente con el número de RMA. Chauvet rechazará cualquier producto devuelto sin un número de RMA.



**Escriba el número de RMA en una etiqueta convenientemente adherida. NO escriba el número de RMA directamente sobre la caja.**

Antes de enviar el producto, escriba claramente la siguiente información en una hoja de papel y colóquela dentro de la caja:

- Su nombre
- Su dirección
- Su número de teléfono
- Número de RMA
- Una breve descripción del problema

Asegúrese de que empaqueta el producto adecuadamente. Cualquier daño en el transporte que resulte de un empaquetado inadecuado será responsabilidad suya. Se recomienda empaquetado FedEx o de doble caja.



**Chauvet se reserva el derecho de usar su propio criterio para reparar o reemplazar productos devueltos.**

# 1. AVANT DE COMMENCER

## Ce Qui Est Compris

- Swarm Wash FX
- Cordon d'alimentation externe
- Une Fiche de Garantie
- Un Manuel d'Utilisation

## Instructions Relatives au Déballage

Déballer l'appareil avec précaution et vérifiez le contenu afin de vous assurer que rien ne vous manque et que tout est en bon état.

## Réclamations




Si l'emballage ou le contenu (l'appareil et ses accessoires compris) semble avoir été endommagé pendant le transport, ou s'il présente des signes de manipulation sans précaution, veuillez dès réception en notifier immédiatement le transporteur et non Chauvet. Ne pas enregistrer votre réclamation auprès du transporteur en temps et en heure peut entraîner une non validation de celle-ci. De plus, gardez l'emballage et tous les matériaux d'emballage pour inspection.

Pour tout autre problème comme la non-livraison de pièces ou composants, des dommages non en rapport avec la livraison ou des vices cachés, veuillez déposer votre réclamation auprès de Chauvet dans les 7 jours suivant la livraison.

## Conventions de Ce Manuel

Convention	Signification
1–512	Une plage de valeurs
50/60	Un ensemble de valeurs parmi lequel on ne peut en choisir qu'une
Settings	Une option de menu ne pouvant être modifiée
Menu > Settings	Une séquence d'options de menu à suivre
<ENTER>	Un bouton sur lequel appuyer sur le panneau de commande de l'appareil

## Symboles

Symbole	Signification
	Consignes importantes en matière d'installation, de configuration et de fonctionnement. Le non-respect de ces consignes peut entraîner le non-fonctionnement de l'appareil ou lui causer des dommages. De même, l'utilisateur peut s'en trouver affecté.
	Consignes importantes en matière d'installation ou de configuration. Le produit peut ne pas fonctionner correctement si ces instructions ne sont pas suivies.
	Informations utiles

## Clause de Non-Responsabilité

Chauvet estime que les informations contenues dans ce manuel sont exactes à tous les égards. Cependant, Chauvet n'assume aucune responsabilité et décline expressément toute responsabilité envers toute partie de toute perte, dommage ou dérangement causés par des erreurs ou des omissions dans ce document, que ces erreurs ou omissions résultent d'une négligence, d'un accident ou de toute autre cause. Chauvet se réserve le droit de réviser le contenu de ce document sans aucune obligation de notifier quelque personne ou société que ce soit de cette révision. Cependant, Chauvet n'a aucune obligation de réaliser de telles révisions, sans non plus s'engager à les réaliser. Téléchargez la dernière version de ce manuel sur [www.chauvetlighting.com](http://www.chauvetlighting.com).

Les œuvres d'auteur contenues dans ce manuel, y compris, mais sans s'y limiter, l'ensemble des conceptions, des textes et des images sont la propriété de Chauvet.

© Copyright 2016 Chauvet & Sons, LLC. Tous droits réservés.

Publié électroniquement par Chauvet aux États-Unis.

CHAUVET, le logo Chauvet et Swarm Wash FX sont des marques déposées ou des marques de Chauvet & Sons, LLC. (d/b/a Chauvet et Chauvet Lighting) aux États-Unis et dans d'autres pays. Les autres noms de produits et logos mentionnés dans le présent manuel peuvent être des marques commerciales de leurs sociétés respectives.

## Consignes de Sécurité

Ce manuel d'utilisation reprend d'importantes informations en matière de consignes de sécurité des lasers. Lisez et assimilez ces consignes avant de mettre votre unité sous tension pour la première fois. Connaître ces consignes de sécurité est essentiel car vous éviterez ainsi des blessures oculaires et ne vous trouverez pas en infraction avec la loi. Gardez ce manuel dans un endroit sûr pour référence future.



### LISEZ ET ASSIMILEZ IMPÉRATIVEMENT TOUTES LES CONSIGNES DE SÉCURITÉ EN MATIÈRE DE LASER



**Les lasers peuvent s'avérer dangereux et font l'objet de consignes de sécurité spécifiques. Une mauvaise utilisation des lasers pourrait entraîner une cécité totale ou causer des lésions oculaires. Portez une attention particulière aux libellés portant la mention AVERTISSEMENT ou REMARQUE dans ce manuel d'utilisation. Lisez et assimilez toutes les consignes AVANT de mettre cet appareil en marche pour la première fois.**



- Connectez toujours l'appareil à un circuit relié à la terre afin d'éviter tout risque d'électrocution.
- Déconnectez toujours de l'alimentation principale avant de procéder à tout entretien.
- Évitez tout contact visuel direct avec la source lumineuse quand cet appareil est en marche
- Assurez-vous que le cordon d'alimentation n'est ni tordu ni endommagé.
- Ne débranchez jamais cet appareil en tirant sur le cordon.
- Si vous installez l'appareil en hauteur, utilisez impérativement une élingue de sécurité pour le sécuriser au dispositif de fixation.
- Ne laissez aucun produit inflammable dans un rayon de 50 cm de l'appareil lorsque celui-ci fonctionne.
- Ne touchez pas cet appareil lors de son fonctionnement car il pourrait s'avérer brûlant.



- Cet appareil n'est pas conçu pour être utilisé dans une installation permanente.
- Veillez toujours à ce que la tension de la prise à laquelle vous branchez l'appareil soit comprise dans la plage indiquée sur l'étiquette ou à l'arrière de l'appareil.
- Cet appareil doit être utilisé en intérieur uniquement ! (IP20). Afin d'éviter tout risque d'incendie ou décharge électrique, veillez à n'exposer cet appareil ni à la pluie ni à l'humidité.
- Installez toujours cet appareil dans un endroit bien ventilé, à au moins 20 pouces (50 cm) des surfaces adjacentes.
- Assurez-vous qu'aucune fente de ventilation sur le boîtier de l'appareil ne soit obstruée.
- Ne connectez jamais cet appareil à un gradateur.
- Transportez ce produit uniquement au moyen de la poignée dont il est doté.
- Mettre l'appareil hors/sous tension à de brefs intervalles est fortement déconseillé. La durée de vie de la diode laser s'en trouverait fortement réduite.
- Ne secouez pas l'appareil. Évitez tout geste brusque lors de l'installation ou de l'utilisation de l'appareil.
- Utilisez TOUJOURS un câble de sécurité lorsque vous montez cet appareil en hauteur.
- La plage de température ambiante de fonctionnement pour le laser est de 15 °C à 35 °C (59 °F à 95 °F). Ne faites pas fonctionner cet appareil à des températures en dehors de cette plage.
- En cas de sérieux problèmes de fonctionnement, arrêtez le système immédiatement.
- N'essayez jamais de réparer cet appareil. Toute réparation effectuée par une personne non qualifiée peut entraîner des dommages ou un fonctionnement erratique de l'appareil. Mettez-vous en relation avec le centre d'assistance technique autorisé le plus près de chez vous.



- Lumière laser : évitez tout contact direct avec les yeux ! N'exposez jamais intentionnellement directement vos yeux ou ceux d'autres personnes à la lumière du laser.
- Cet appareil laser peut entraîner une cécité totale ou causer des lésions oculaires instantanées si le laser entre en contact direct avec les yeux.
- Il est illégal et dangereux de diriger ce laser vers les zones destinées au public, zones où les yeux des membres du public ou du personnel pourraient être en contact direct avec les rayons laser ou des réfléchissements lumineux.
- Ne pointez pas de laser sur les avions, ceci est répréhensible par la loi.
- L'utilisation des commandes, réglages ou procédures autres que celles spécifiées ci-après peut entraîner de dangereuses expositions à des radiations.
- N'essayez JAMAIS de réparer l'appareil vous-même. Les réparations et entretiens doivent être effectués par un technicien agréé.
- Durant les périodes de non-utilisation, pour éviter toute usure inutile et pour prolonger la durée de vie, déconnectez-entièrement l'appareil en le débranchant de l'alimentation électrique ou en coupant le disjoncteur.
- **Toute modification non autorisée apportée à l'appareil est strictement interdite pour raison de sécurité !**



- **Conservez ce manuel d'utilisation pour référence future. Si vous étiez amené à vendre cet appareil à un autre utilisateur, veillez à lui remettre ce manuel également.**

### **Avertissement : Boîtier non Verrouillable**

- Cet appareil renferme un laser très puissant.
- N'ouvrez jamais le boîtier du laser, vous pourriez être exposé à des niveaux dangereux de radiation laser.
- L'intensité du laser à l'ouverture du boîtier peut entraîner instantanément une cécité, des brûlures cutanées ou des incendies.

### **Consignes de Sécurité Relatives au Laser**



### **PRENEZ LE TEMPS DE LIRE ET ASSIMILEZ LES CONSIGNES DE SÉCURITÉ RELATIVES AU LASER CI-DESSOUS**



La lumière émise d'un laser est très différente de toute autre source de lumière. Elle peut entraîner des lésions oculaires si l'appareil n'est pas correctement installé ou utilisé. La lumière d'un laser est des milliers de fois plus concentrée que toute autre source lumineuse. Cette concentration de lumière peut causer des blessures oculaires instantanées, essentiellement par une brûlure de la rétine (l'arrière de votre œil contient des cellules extrêmement sensibles à la lumière). La chaleur émise ne peut être ressentie, toutefois elle peut quand même entraîner des blessures ou aveugler les opérateurs ou le public. Une faible radiation en provenance du faisceau lumineux du laser peut s'avérer potentiellement dangereuse, même à de longues distances.

**N'assumez JAMAIS** que l'exposition à même un seul rayon laser n'est pas dangereuse, elle l'est tout autant que l'exposition à une fraction d'un faisceau plus large. Ce laser utilise des dizaines de milliwatts de puissance - niveaux internes de classe 3B - avant de se diviser en de multiples faisceaux - niveaux de classe 3R. De nombreux faisceaux individuels de classe 3R sont potentiellement dangereux pour les yeux.

**N'assumez JAMAIS** non plus qu'un faisceau laser en mouvement n'est pas dangereux. Les lasers, en tout temps, comportent un risque. Puisque les blessures oculaires peuvent apparaître instantanément, il est indispensable d'empêcher LA MOINDRE exposition directe des yeux. Selon les réglementations en vigueur en matière de sécurité des lasers, la loi interdit expressément de diriger des lasers de classe 3R là où ils peuvent atteindre le public, même s'ils sont dirigés sous le visage des membres du public, comme sur une piste de danse par exemple.

- Ne faites pas fonctionner le laser avant d'avoir lu et compris toutes les données techniques et de sécurité contenues dans ce manuel.
- Veuillez TOUJOURS configurer et installer les effets laser de manière à ce que leur lumière soit projetée à minimum 3 mètres (9,8 pieds) au-dessus du sol sur lequel les gens se tiennent. Référez-vous à la section [Utilisation Adéquate](#) de ce manuel.
- Après installation et avant utilisation publique, veuillez tester le laser afin de vous assurer de son bon fonctionnement. N'utilisez pas l'appareil si vous constatez quelque défaut que ce soit.
- N'utilisez PAS les lasers n'émettant qu'un ou deux faisceaux, quand ils devraient en émettre des dizaines ou des centaines, car cela indique que le réseau de diffraction optique est endommagé et qu'il est possible que soient émis des niveaux de laser supérieurs à ceux de classe 3R.
- NE pointez PAS le laser sur des gens ou des animaux.
- Ne regardez JAMAIS l'ouverture ou les faisceaux laser.
- NE pointez PAS le laser là où il pourrait entrer en contact avec des gens.
- NE pointez PAS de laser sur des surfaces hautement réfléchissantes, telles que des fenêtres, des miroirs ou du métal réverbérant. Même les reflets des lasers peuvent être dangereux.
- Ne pointez pas de laser sur les avions, ceci est répréhensible par la loi.
- Ne pointez pas des faisceaux de laser très longue portée dans le ciel.
- N'exposez pas la sortie optique (ouverture) à des produits chimiques.
- N'utilisez pas le laser si le boîtier est endommagé, ouvert, ou si l'optique semble endommagée.
- N'ouvrez pas le boîtier du laser. La forte intensité du laser à l'intérieur du boîtier de protection peut entraîner des incendies, des brûlures corporelles ou des blessures oculaires instantanées.
- Ne laissez jamais l'appareil fonctionner sans surveillance.
- Le fonctionnement d'appareils laser de classe 3R n'est autorisé que s'il est contrôlé par un utilisateur expérimenté et adéquatement formé, ayant assimilé les données présentées dans ce manuel.
- Les obligations légales d'utilisation des produits laser pour les loisirs varient de pays en pays. L'utilisateur est tenu de respecter les obligations légales du pays/de la salle dans lequel il l'utilise.



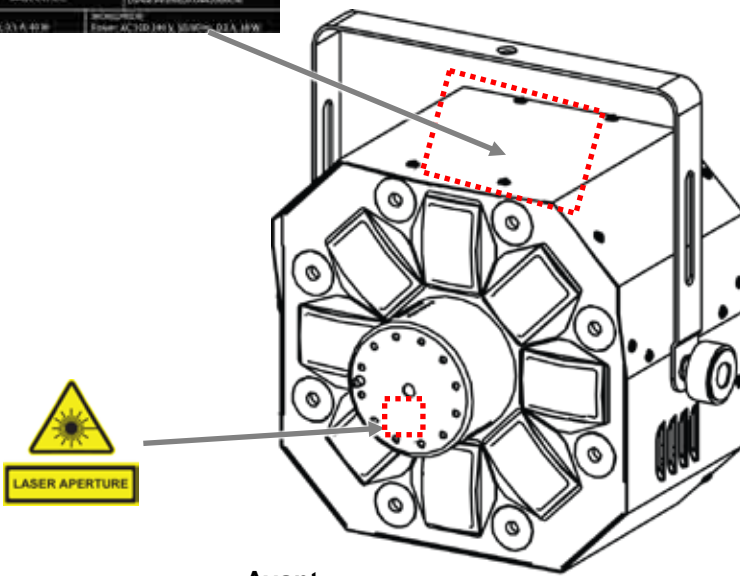
**ATTENTION: n'utilisez PAS cet appareil de manière non indiquée dans ce manuel d'utilisateur. Le non-respect des instructions entraînera l'annulation de la garantie et peut également endommager l'appareil ou causer des blessures aussi bien à l'utilisateur qu'au public.**



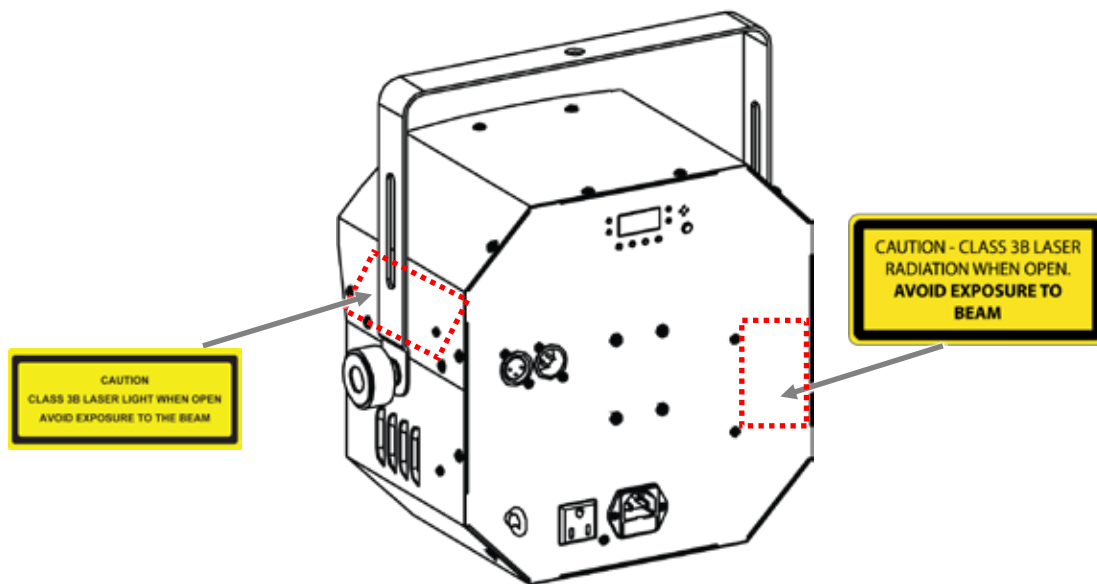
**ATTENTION: vous ne pouvez disposer de cet appareil avec les déchets ménagers. Prenez contact avec votre service régional de gestion des déchets pour connaître les procédures de recyclage des appareils électroniques de votre zone.**



# Reproduction de l'étiquette de sécurité laser



Avant



Bas

**Avertissement  
d'Exposition au  
Laser**



**LUMIÈRE LASER, ÉVITEZ L'EXPOSITION DIRECTE AVEC LES YEUX**

Des lignes directrices et programmes de sécurité supplémentaires pour une utilisation des lasers en toute sécurité peuvent être consultés dans le texte de la norme ANSI Z136.1 "For Safe Use of Lasers" ("Pour une utilisation des lasers en toute sécurité"), disponible sur le site [www.laserinstitute.org](http://www.laserinstitute.org) du Laser Institute of America. Une multitude de gouvernements, grandes entreprises, agences, forces armées et autres, exige que les utilisateurs d'appareils laser suivent les lignes directrices de la norme ANSI Z136.1. Le guide des spectacles laser peut être obtenu auprès de l'International Laser Display Association (l'association internationale du spectacle laser) sur leur site [www.laserist.org](http://www.laserist.org).

**Données  
d'Emission Laser**

Comme mesuré selon les conditions de mesure CEI pour la classification.

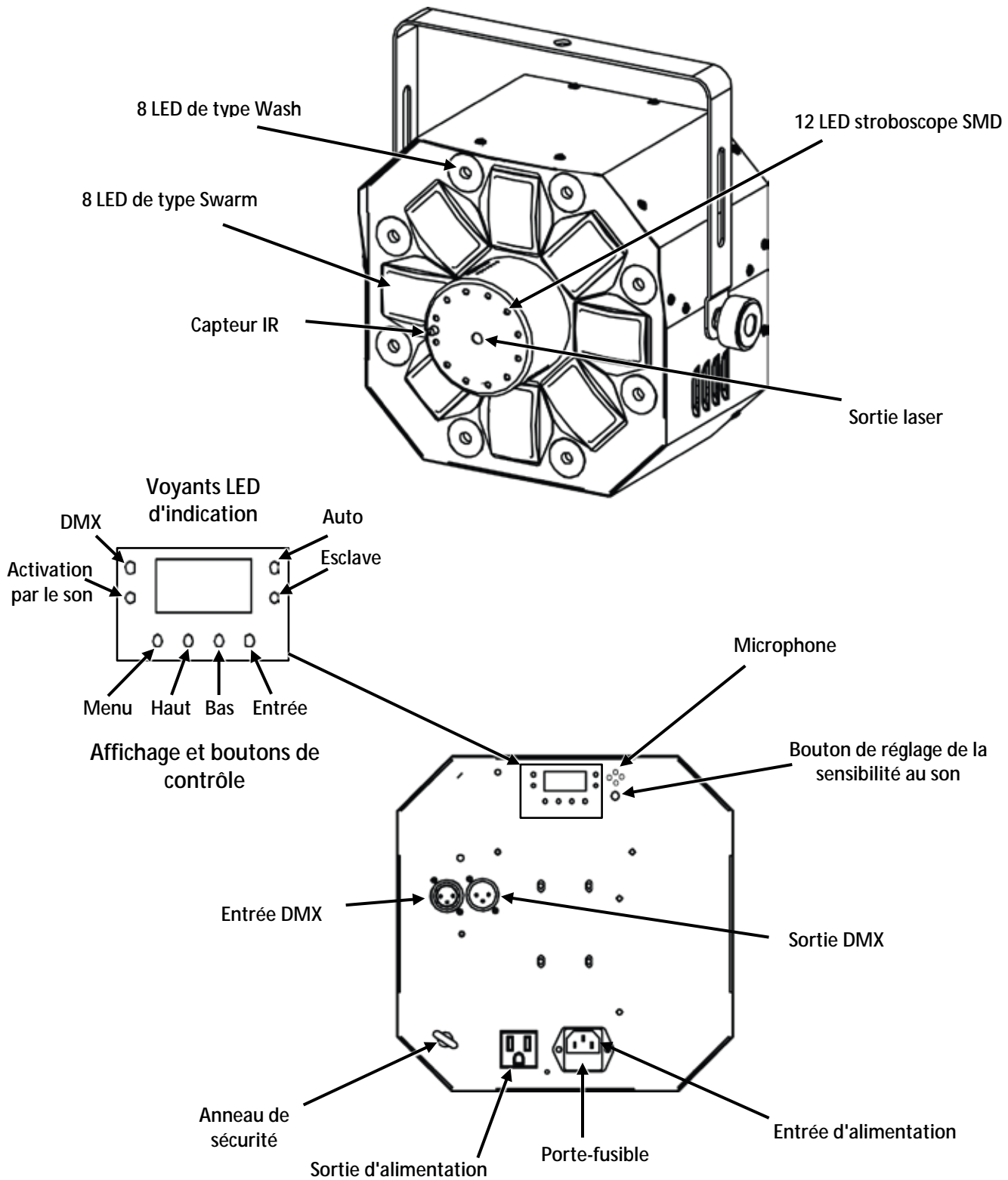
<b>Classification du laser</b>	Classe 3R
<b>Laser vert</b>	DPSS Nd:YVO4, 532 nm/30 mW
<b>Laser rouge</b>	LD GaAlAs, 650 nm/100 mW
<b>Diamètre de faisceau</b>	<5 mm à l'ouverture
<b>Données d'impulsion</b>	Toute impulsion < 4 Hz (>0.25 sec)
<b>Divergence (chaque faisceau)</b>	<2 mrad
<b>Divergence (éclairage dans son ensemble)</b>	<160 degrees
<b>Puissance du laser de chaque faisceau à l'ouverture*</b>	<5 mW

**Déclaration De  
Conformité Du  
Laser**

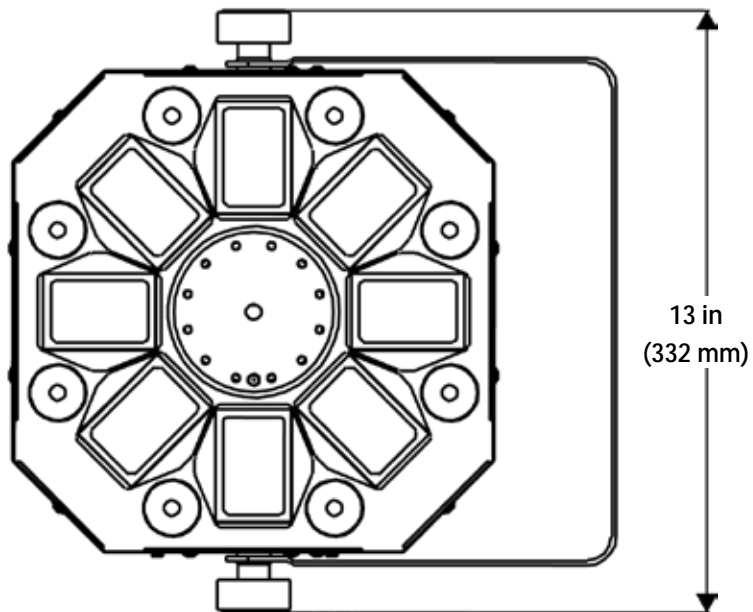
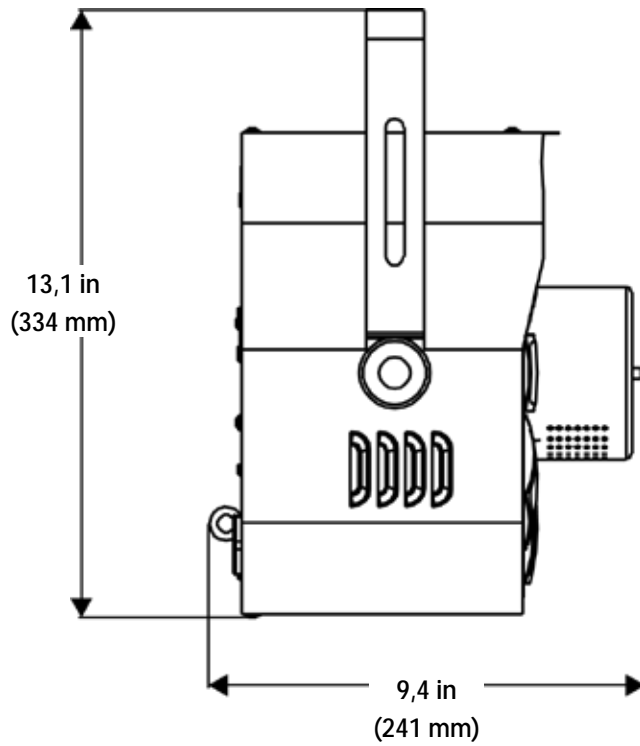
Cet appareil laser répond aux normes EN/CEI 60825-1 Ed 2, 2007-03 et US FDA/CDRH FLPPS selon les termes de la notice de laser n°50 en date du 24 juin 2007. Cet appareil laser est classé 3R. (La classe 3R est la classe équivalant à la classe IIIa aux États-Unis). Aucune maintenance n'est nécessaire pour le maintien de la conformité aux normes de performance laser de cet appareil.

## 2. INTRODUCTION

### Vue d'ensemble



## Dimensions



## 3. CONFIGURATION

**Alimentation** El Swarm Wash FX est doté d'une alimentation universelle prenant en charge toute tension d'entrée comprise entre 100 et 240 VCA, 50/60 Hz.

**CA**

Pour déterminer les exigences en puissance de votre appareil (court-circuit, prise d'alimentation et câblage), consultez la valeur reprise sur l'étiquette apposée sur le panneau arrière du produit ou référez-vous aux [Spécificités Techniques](#). La capacité nominale affichée indique la consommation courante de l'appareil dans des conditions normales d'utilisation.



- **Connectez toujours l'appareil à un circuit protégé (disjoncteur ou fusible). Assurez-vous que l'appareil soit correctement relié à la terre afin d'éviter tout risque d'électrocution ou d'incendie.**
- **Durant les périodes de non-utilisation, pour éviter toute usure inutile et pour prolonger la durée de vie, déconnectez-entièrement l'appareil en le débranchant de l'alimentation électrique ou en coupant le disjoncteur.**



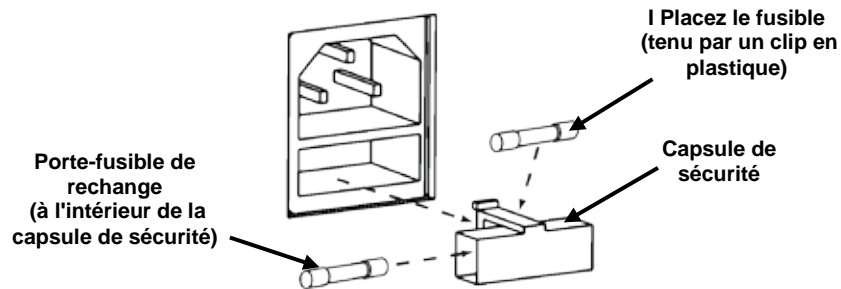
**Ne connectez jamais l'appareil à un rhéostat (résistance variable) ou un circuit voleur, même si vous n'avez l'intention de vous servir du rhéostat ou canal de gradation que comme interrupteur 0 à 100 %.**

### Remplacement du Fusible

1. Débranchez l'appareil de l'alimentation.
2. Insérez et calez la pointe d'un tournevis à tête plate dans la fente du porte-fusible.
3. En faisant levier, faites-le sortir de son emplacement.
4. Retirez le fusible obsolète du porte-fusible.
5. Remplacez le fusible avec un de même type et même ampérage.
6. Insérez à nouveau le porte-fusible à sa place et rebranchez l'appareil.



**Débranchez l'appareil avant de procéder au remplacement du fusible.**

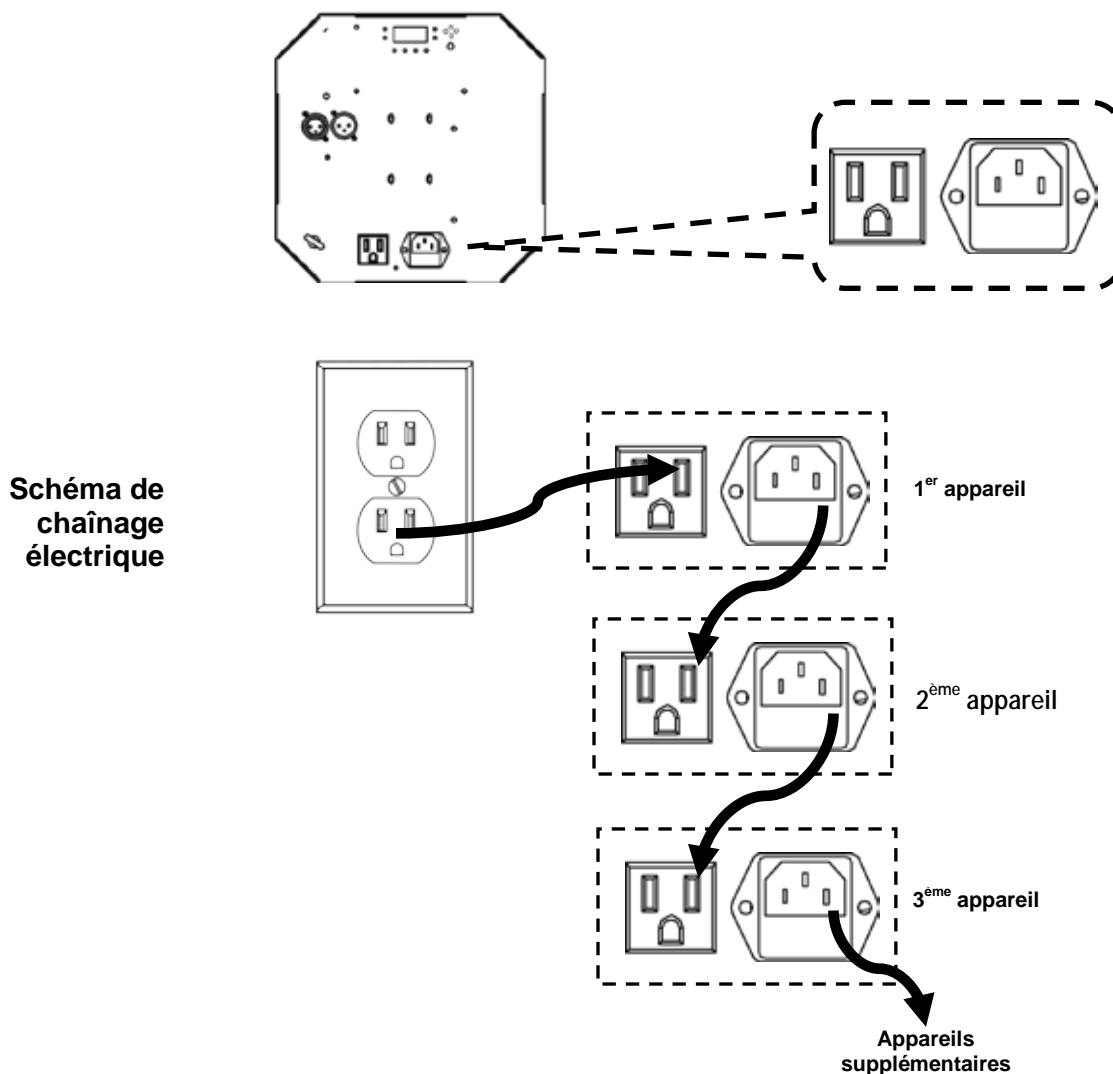


## Connexion Electrique

Raccorder en chaîne des unités consiste à les relier entre elles via les entrées et sorties d'alimentation, permettant ainsi à plusieurs unités d'être alimentées depuis une seule prise murale.

Il est possible de raccorder jusqu'à 12 Swarm Wash FX à 120 V et 22 Swarm Wash FX à 230 V.

Le diagramme ci-dessous indique comment procéder.



**Ne pas chaîner plus de 15 appareils Swarm Wash FX sur du 120 V.**  
**Ne pas chaîner plus de 26 appareils Swarm Wash FX sur du 230 V.**



**Le schéma de chaînage électrique ci-dessus ne montre que la version d'Amérique du Nord de l'appareil !**

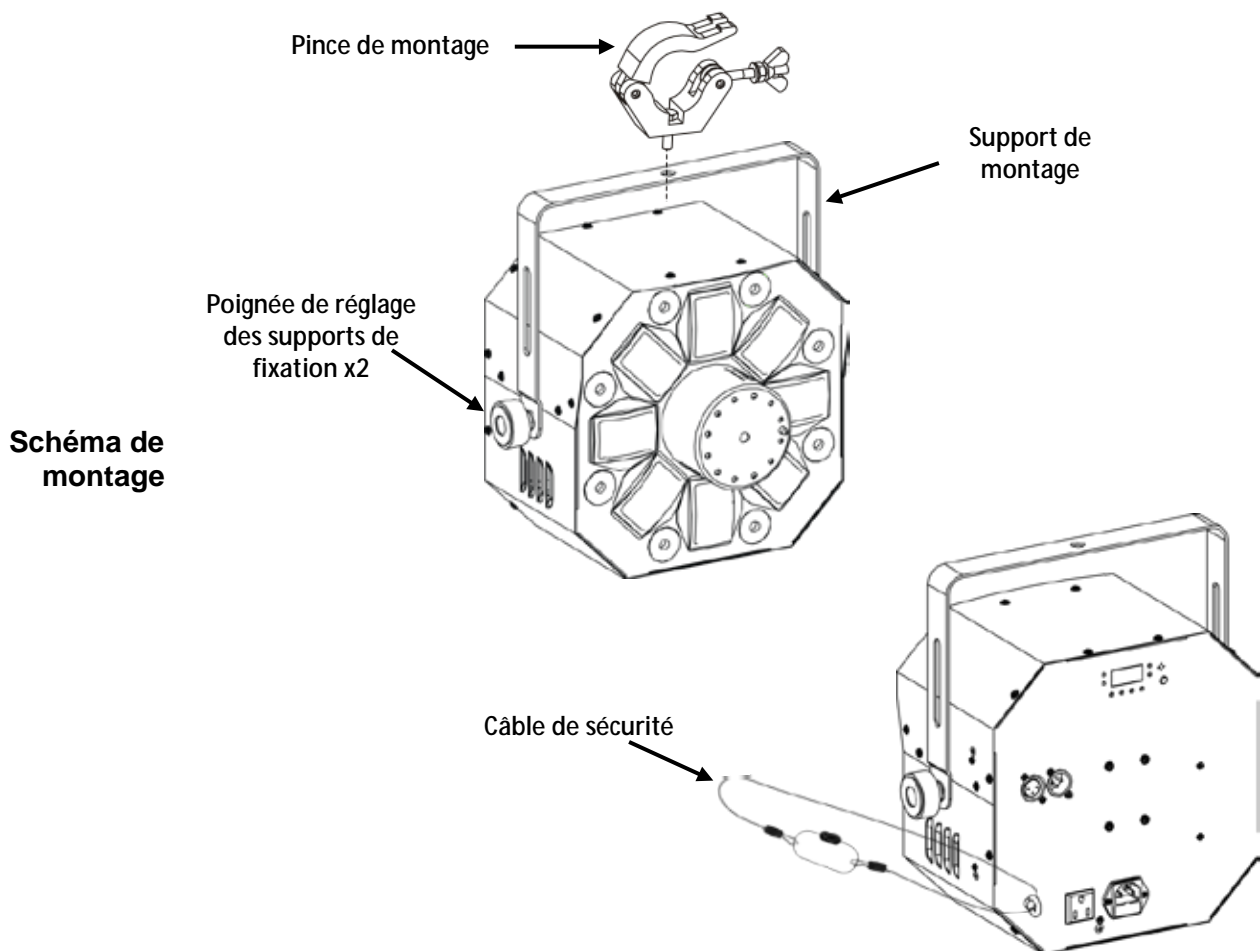
**Les connecteurs et les exigences pour le chaînage électrique diffèrent selon le pays et la région.**

**Si vous utilisez ce produit en dehors de l'Amérique du Nord, veuillez consulter votre distributeur local Chauvet.**

**Installation** Avant d'installer ce produit, lisez, assimilez et suivez les recommandations en matière de sécurité reprises dans la section [Consignes de Sécurité](#). Utilisez au moins un point par produit de montage. Veillez à ce que la fixation de montage puisse supporter le poids de l'unité. Pour découvrir la gamme de fixations de Chauvet, rendez-vous sur [www.chauvetlighting.com/cables-clamps-main.html](http://www.chauvetlighting.com/cables-clamps-main.html).

**Orientation** Le Swarm Wash FX doit être monté de manière à garantir l'usage en toute sécurité du laser. Assurez-vous que la ventilation de cet appareil puisse s'effectuer de manière adéquate.

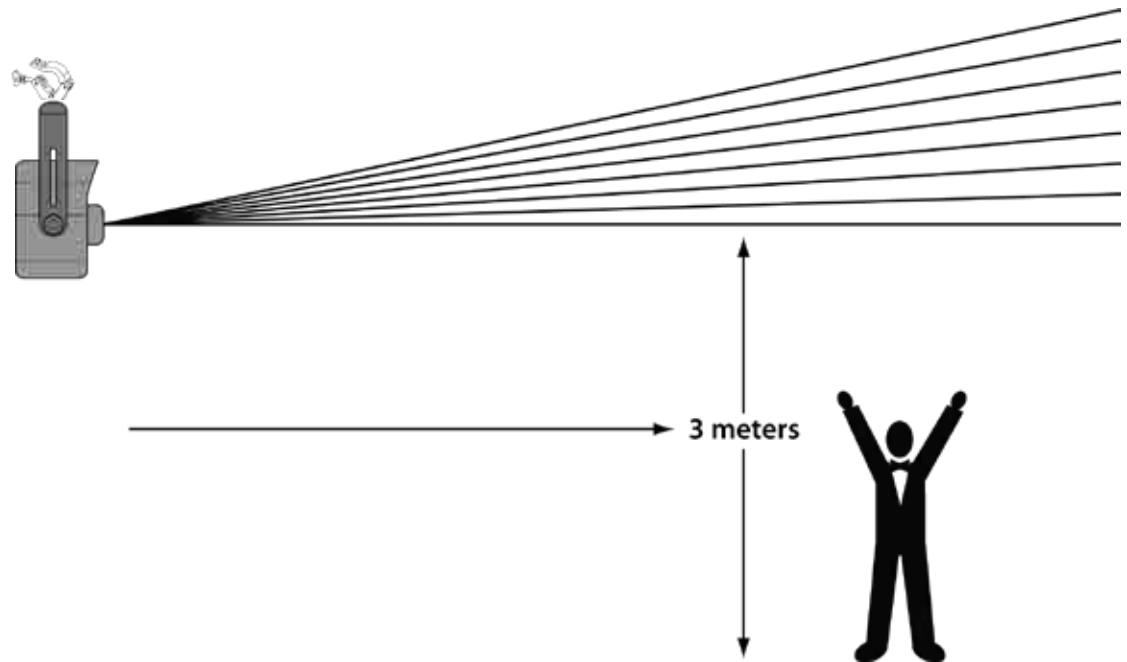
- Suspension**
- Avant de choisir un emplacement pour l'appareil, assurez-vous qu'il soit facile d'y accéder pour toute opération de maintenance et de programmation.
  - Assurez-vous que la structure ou la surface sur laquelle vous installez l'appareil peut en supporter le poids (voir les [Spécificités Techniques](#)).
  - Utilisez toujours un câble de sécurité (comme **CH-05** de Chauvet lorsque vous montez cet appareil en hauteur. Garantisiez un montage en toute sécurité de l'appareil en le reliant à un point de fixation, comme une plateforme en hauteur ou une structure.
  - Lors de la suspension de l'appareil à une structure, vous devriez utiliser un clip de fixation en mesure de supporter la charge nécessaire. La lyre comporte un orifice de 13 mm à cet effet.
  - Les molettes de réglage de la fixation permettent d'ajuster la position de l'appareil lors de son positionnement à l'angle désiré. N'utilisez aucun outil pour relâcher ou resserrer les molettes de la fixation. En utiliser pourrait endommager les molettes.



## Utilisation Adéquate

Cet appareil doit être monté en hauteur uniquement. Pour des raisons de sécurité, Chauvet recommande de monter vos éclairages sur une plateforme élevée stable ou des supports en hauteur renforcés au moyen de systèmes de suspension adéquats. Vous devez, dans tous les cas, utiliser des élingues de sécurité. Le matériel de montage approprié peut être acquis auprès de votre revendeur d'éclairage.

Les réglementations internationales en matière de sécurité des appareils laser exigent que ceux-ci soient installés de manière à ce qu'un minimum de 3 mètres de séparation à la verticale existe entre le sol et la lumière laser la plus basse projetée. De plus, une séparation de 3 mètres à l'horizontal doit être respectée entre toute lumière laser émise et les membres du public ou autres espaces publics.



**ATTENTION : L'utilisation des commandes, réglages ou procédures autres que celles spécifiées DANS CE MANUEL D'UTILISATION peut entraîner de dangereuses expositions à des radiations.**



## 4. FONCTIONNEMENT

Cet appareil ne doit pas fonctionner de manière continue. Afin de maximiser la durée de vie de votre laser, veillez à le mettre en pause régulièrement. Débranchez toujours le Swarm Wash FX quand il n'est pas utilisé.

**Fonctionnement du Panneau de Commande** Pour accéder aux fonctions du panneau de commande, utilisez les quatre boutons situés sous l'écran. Quand l'appareil est sous tension, le voyant LED sur le panneau arrière indiquera le mode de fonctionnement sélectionné (autonome ou DMX). Au moment d'éteindre l'appareil, seront enregistrées les dernières configurations enregistrées.

Bouton	Fonction
<MENU>	Sélection d'un mode de fonctionnement ou de sortie de l'option de menu en cours
<UP>	Permet de parcourir vers le haut la liste des options ou de trouver une valeur supérieure
<DOWN>	Permet de parcourir vers le bas la liste des options ou de trouver une valeur inférieure
<ENTER>	Permet d'activer une option de menu ou une valeur sélectionnée.

### Plan du menu

Mode	Étapes de programmation		Description
DMX	2-CH	d001–d511	Permet de définir l'adresse et la personnalité DMX
	18CH	d001–d495	
Auto	P--	P 1-15	Permet de sélectionner l'effet programme automatique et sa vitesse (lent à rapide)
Speed (vitesse)	S--	S.01–S.99	Vitesse pour le mode d'activation par le son et pour les programmes automatiques
Sound (activation par le son)	SND	SN 1-15	Permet de sélectionner les programmes d'effets activés par le son
IR Function (fonction infrarouge)	SET	ON	Permet d'activer/désactiver les fonctions infrarouge
		OFF	

### Auto and Sound Modes Defined (modes auto et activation par le son définis)

Program (programme)	Effect (effet)
1	Tous les effets : derby, laser, stroboscopes et wash
2	Wash uniquement
3	Laser uniquement
4	Derby uniquement
5	Stroboscopes seuls
6	Wash, laser et derby
7	Wash, laser et stroboscopes
8	Wash, laser et stroboscopes
9	Laser, derby et stroboscopes
10	Wash et laser
11	Wash et derby
12	Wash et stroboscopes
13	Laser et derby
14	Laser et stroboscopes
15	Derby et Stroboscopes

## Configuration (DMX)

Paramétrez l'appareil en mode DMX pour pouvoir le contrôler avec un contrôleur DMX. L'appareil utilise un câble DMX à 3 broches.

1. Branchez l'appareil sur une prise de courant appropriée.
2. Connectez un câble DMX depuis la sortie DMX du contrôleur DMX à l'entrée DMX de l'appareil.

## Adresse de départ

Lors de la sélection d'une adresse DMX de départ, veillez à toujours prendre en compte le nombre de canaux DMX utilisés par l'appareil. Si vous choisissez une adresse de départ trop élevée vous pouvez restreindre l'accès à certains des canaux de l'appareil.

Le Swarm Wash FX utilise des personnalités DMX avec 2 ou 18 canaux DMX, ce qui signifie que l'adresse DMX la plus élevée que vous pouvez utiliser en mode 18 canaux est **495**.

Si vous n'êtes pas familier avec le protocole DMX, vous pouvez télécharger l'introduction au DMX à l'adresse <http://www.chauvetlighting.com>.

Pour définir l'adresse DMX de départ, effectuez les actions suivantes :

1. Appuyez sur **<MENU>** de manière répétée jusqu'à ce que le message **02CH or 18CH** clignote à l'écran et que le voyant d'indication DMX s'allume.
2. Appuyez sur **<ENTER>**. L'affichage indique alors **d001–d495**.
3. Utilisez les touches **<UP>** ou **<DOWN>** pour sélectionner l'adresse de départ.
4. Appuyez sur **<ENTER>** pour faire passer l'appareil en mode DMX. L'affichage continue à clignoter.



**L'affichage continue à clignoter jusqu'à ce que l'appareil reçoive un signal DMX.**

## Affectation de canaux DMX et valeurs

18 canaux	Canal	Fonction	Valeur	Paramétrage
1		<b>Auto Programs (programmes automatiques)</b>	000 ó 015	Noir général
			016 ó 030	Wash uniquement
			031 ó 045	Laser uniquement
			046 ó 060	Derby uniquement
			061 ó 075	Stroboscopes seuls
			076 ó 090	Wash, laser et derby
			091 ó 105	Wash, laser et stroboscopes
			106 ó 120	Wash, laser et stroboscopes
			121 ó 135	Laser, derby et stroboscopes
			136 ó 150	Wash et laser
			151 ó 165	Wash et derby
			166 ó 180	Wash et stroboscopes
			181 ó 195	Laser et derby
			196 ó 210	Laser et stroboscopes
			211 ó 225	Derby et stroboscopes
226 ó 255	Tous les effets			
2		<b>Auto Program Speed (vitesse de programme automatique)</b>	000 ó 200	Sélection de la vitesse (lent à rapide)
		<b>Sound Active Mode (mode d'activation par le son)</b>	201 ó 255	Mode d'activation par le son : tous les effets
3-10		<b>Wash Group 1-8 (groupe wash 1 à 8)</b>	001 ó 051	Noir général
			052 ó 102	Rouge
			103 ó 153	Vert
			154 ó 204	Bleu
			205 ó 255	UV
11		<b>Wash Strobe (stroboscope wash)</b>	000 ó 255	Vitesse du stroboscope (lent à rapide)

## 18 canaux

Canal	Fonction	Valeur	Paramétrage
12	Derby	000 ó 009	Noir général
		010 ó 014	Rouge
		015 ó 019	Vert
		020 ó 024	Bleu
		025 ó 029	Ambre
		030 ó 034	Blanc
		035 ó 039	Blanc + rouge
		040 ó 044	Rouge + vert
		045 ó 049	Vert + bleu
		050 ó 054	Bleu + ambre
		055 ó 059	Ambre + blanc
		060 ó 064	Blanc + vert
		065 ó 069	Vert + ambre
		070 ó 074	Ambre + rouge
		075 ó 079	Rouge + bleu
		080 ó 084	Bleu + blanc
		085 ó 089	Rouge + vert + bleu
		090 ó 094	Rouge + vert + ambre
		095 ó 099	Rouge + vert + blanc
		100 ó 104	Rouge + ambre + bleu
		105 ó 109	Rouge + blanc + bleu
		110 ó 114	Rouge + ambre + blanc
		115 ó 119	Ambre + vert + bleu
		120 ó 124	Bleu + vert + blanc
		125 ó 129	Ambre + vert + blanc
		130 ó 134	Ambre + blanc + bleu
		135 ó 139	Rouge + vert + bleu + ambre
		140 ó 144	Rouge + vert + bleu + blanc
		145 ó 149	Vert + bleu + ambre + blanc
		150 ó 154	Rouge + vert + ambre + blanc
155 ó 159	Rouge + bleu + ambre + blanc		
160 ó 164	Rouge + vert + bleu + ambre + blanc		
165 ó 209	Automatique (couleur unique seulement)		
210 ó 222	Automatique (deux couleurs à la fois)		
223 ó 255	Déclenchement par le son		

**18 canaux**

Canal	Fonction	Valeur	Paramétrage
13	<b>Derby Strobe (stroboscope derby)</b>	000 ó 004	Aucune fonction
		005 ó 200	Vitesse de stroboscope (rapide à lent)
		201 ó 255	Mode d'activation par le son
14	<b>Derby Speed (vitesse du derby)</b>	000 ó 004	Arrêt
		005 ó 127	Rotation vers la droite (lent à rapide)
		128 ó 133	Arrêt
		134 ó 255	Rotation vers la gauche (lent à rapide)
15	<b>SMD Strobe (stroboscope SMD)</b>	000 ó 009	Noir général
		010 ó 019	Programme automatique 1 (rapide à lent)
		020 ó 029	Programme automatique 2 (rapide à lent)
		030 ó 039	Programme automatique 3 (rapide à lent)
		040 ó 049	Programme automatique 4 (rapide à lent)
		050 ó 059	Programme automatique 5 (rapide à lent)
		060 ó 069	Programme automatique 6 (rapide à lent)
		070 ó 079	Programme automatique 7 (rapide à lent)
		080 ó 089	Programme automatique 8 (rapide à lent)
		090 ó 099	Programme automatique 9 (rapide à lent)
		100 ó 109	Programme automatique 10 (rapide à lent)
		110 ó 119	Programme automatique 11 (rapide à lent)
		120 ó 200	Tout allumé
		201 ó 255	Stroboscope déclenché par le son
16	<b>Lasers</b>	000 ó 009	Noir général
		010 ó 049	Rouge activé
		050 ó 089	Vert activé
		090 ó 129	Stroboscopes vert et rouge alternés
		130 ó 169	Rouge activé et stroboscope vert
		170 ó 209	Vert activé et stroboscope rouge
		210 ó 255	Stroboscopes rouge et vert
17	<b>Laser Strobe (stroboscope laser)</b>	000 ó 004	Aucune fonction
		005 ó 254	Stroboscope (rapide à lent)
		255	Stroboscope déclenché par le son
18	<b>Motor LED (LED moteur)</b>	000 ó 004	Arrêt
		005 ó 127	Rotation vers la droite (lent à rapide)
		128 ó 133	Arrêt
		134 ó 255	Rotation vers la gauche (lent à rapide)

## 02 canaux

Canal	Fonction	Valeur	Paramétrage
1	Auto Programs (programmes automatiques)	000 ó 015	Noir général
		016 ó 030	Wash uniquement
		031 ó 045	Laser uniquement
		046 ó 060	Derby uniquement
		061 ó 075	Stroboscopes seuls
		076 ó 090	Wash, laser et derby
		091 ó 105	Wash, laser et stroboscopes
		106 ó 120	Wash, laser et stroboscopes
		121 ó 135	Laser, derby et stroboscopes
		136 ó 150	Wash et laser
		151 ó 165	Wash et derby
		166 ó 180	Wash et stroboscopes
		181 ó 195	Laser et derby
		196 ó 210	Laser et stroboscopes
211 ó 225	Derby et stroboscopes		
226 ó 255	Tous les effets		
2	Auto Program Speed (vitesse de programme automatique)	000 ó 200	Sélection de la vitesse (lent à rapide)
	Sound Active Mode (mode d'activation par le son)	201 ó 255	Mode d'activation par le son : tous les effets



Pour le fonctionnement manuel des LED et des lasers par contrôle DMX, assurez-vous que le canal 1 est paramétré sur la bonne adresse DMX.

## Télécommande infrarouge IRC-6

Le Swarm Wash FX est compatible avec la télécommande infra-rouge IRC-6 de Chauvet. Pour activer le mode infra-rouge, appuyez sur n'importe quel bouton de l'IRC-6.

- 6** Assurez-vous que la télécommande IRC-6 est dirigée directement vers l'appareil et qu'aucun obstacle ne se trouve entre la télécommande et l'appareil.

### IRC-6 Fonctionnement



#### Mode automatique

Pour faire fonctionner l'appareil avec un programme automatique

1. Appuyez sur la touche **<AUTO>** de la télécommande IRC-6.

#### Mode d'activation par le son

Pour faire fonctionner l'appareil avec un programme automatique :

1. Appuyez sur la touche **<SOUND>** de la télécommande IRC-6.

#### Réglage de la vitesse

Pour régler la vitesse du programme automatique :

1. Appuyez sur **<SPEED>**.
2. Appuyez sur les touches **<+>** ou **<->** pour augmenter ou diminuer la vitesse du programme.

#### Modification des modes d'effets automatiques et activation par le son avec les boutons de la télécommande IRC-6 :

Mode automatique / mode d'activation par le son
<1> - Active/désactive l'effet wash
<2> - Active/désactive l'effet derby
<3> - Active/désactive l'effet laser
<4> - Active/désactive l'effet stroboscope

#### Noir général

Pour désactiver la lumière :

Appuyez sur la touche **<BLACK OUT>** sur la télécommande IRC-6.

Cela désactive la lumière jusqu'à ce que le bouton soit appuyé à nouveau.

**REMARQUE :** La télécommande IRC-6 ne répond à aucune commande lorsque le mode Noir général (Black Out) est activé. Si la télécommande ne répond pas lors de l'appui sur une touche, essayez d'appuyer sur la touche **<BLACK OUT>**. Il se peut que vous ayez activé le mode Noir général par erreur.



**Le reste des boutons de la télécommande ne sont d'aucune utilité avec cet appareil.**

## Configuration (autonome)

Permet de paramétrer l'appareil dans l'un des modes autonomes pour permettre le contrôle sans contrôleur DMX.

Branchez l'appareil sur une prise de courant appropriée.



**Ne jamais connecter un appareil qui fonctionne en mode individuel (statique, automatique ou activation par le son) à une chaîne DMX connectée à un contrôleur DMX. Les appareils en mode autonome peuvent émettre des signaux DMX qui interfèrent avec les signaux DMX du contrôleur.**

## Mode d'activation par le son

Pour paramétrer le mode d'activation par le son, effectuez les actions suivantes :

1. Appuyez sur la touche **<MENU>** de manière répétée jusqu'à ce que le message **SND** clignote à l'écran.
2. Le message **SN1—SN15** clignote à l'écran et le mode lumière activée par le son démarre.
3. Utilisez les touches **<UP>** ou **<DOWN>** pour sélectionner le programme d'activation par le son souhaité.
4. Appuyez sur **<ENTER>** pour faire passer l'appareil dans le mode d'activation par le son sélectionné.
5. Démarrez la musique et réglez le bouton de sensibilité au son jusqu'à ce que l'appareil commence à réagir au rythme de la musique.



**L'appareil ne réagit qu'aux basses fréquences de musique (basses et batterie).**

**En mode d'activation par le son, le laser s'éteint après 3 secondes de silence ou de bruit en dessous du réglage de sensibilité.**

## Mode automatique

Pour activer le mode automatique, procédez comme suit :

1. Appuyez sur la touche **<MENU>** de manière répétée jusqu'à ce que le message **P--** clignote à l'écran.
2. Le message **P 1—P15** clignote à l'écran et le mode lumière automatique démarre.
3. Utilisez les touches **<UP>** ou **<DOWN>** pour sélectionner le mode automatique souhaité.
4. Appuyez sur **<ENTER>**.

## Réglage de la vitesse

Pour changer la vitesse des modes auto ou activation par le son, procédez comme suit :

1. Appuyez sur la touche **<MENU>** de manière répétée jusqu'à ce que l'affichage indique **S--**.
2. Appuyez sur **<ENTER>**. L'affichage indique alors **S.01—S.99**.
3. Utilisez les touches **<UP>** ou **<DOWN>** pour régler la vitesse du programme.
4. Appuyez sur **<ENTER>**.



## **Maître/Esclave Mode**

Le mode maître/esclave permet à un seul appareil Swarm Wash FX (le maître) de contrôler les actions d'un ou plusieurs autres appareils Swarm Wash FX (les esclaves) sans contrôleur DMX. Le maître doit être réglé pour fonctionner soit en mode automatique soit en mode d'activation par le son, tandis que les esclaves doivent être paramétrés pour fonctionner en mode esclave. Une fois paramétrés et connectés, les unités esclaves fonctionnent à l'unisson avec le maître.

Configurez les appareils comme indiqué ci-dessous :

### **Pour chaque esclave :**

1. Paramétrez l'adresse DMX de l'appareil sur la valeur **d001**.



- **Configurez toutes les unités esclaves avant de connecter le maître à la chaîne DMX en guirlande.**
- **L'affichage des esclaves continuera à clignoter jusqu'à la réception d'un signal DMX de la part du maître.**

### **Pour le maître :**

1. Connectez la sortie DMX du maître à l'entrée DMX de la première unité esclave.
2. Paramétrez l'unité maître en mode automatique ou en mode d'activation par le son.



- **Assurez-vous que le maître soit la première unité dans la chaîne DMX.**
- **Ne jamais connecter un contrôleur DMX à une chaîne DMX configurée pour le fonctionnement en maître/esclave car le contrôleur peut rentrer en conflit avec les signaux du maître.**
- **Ne pas connecter plus de 31 esclaves au maître.**

## 5. INFORMATIONS TECHNIQUES

### Entretien de l'Appareil

L'accumulation de poussière réduit la sortie de lumière et peut entraîner une surchauffe de l'appareil. Pour un fonctionnement optimal, nettoyez l'appareil au moins deux fois par mois. Les conditions environnementales et d'utilisation peuvent toutefois exiger un nettoyage plus fréquent.

Pour nettoyer le produit, suivez les instructions comme indiquées ci-après :

1. Mettez l'appareil hors tension.
2. Attendez que celui-ci soit à température de la pièce.
3. Utilisez un aspirateur (ou de l'air comprimé sec) et une brosse douce pour enlever la poussière accumulée sur les surfaces et ventilations externes.
4. Nettoyez le panneau de verre (ouverture du laser) avec un nettoyant pour vitre ou de l'alcool isopropylique.
5. Appliquez la solution directement sur un tissu doux en coton non pelucheux ou un tissu optique.
6. Nettoyez en douceur toute trace de saleté ou d'impureté vers les bords extérieurs des surfaces en verre.
7. Polissez en douceur ces surfaces jusqu'à ce que toute peluche ou trace ait disparu.



**Assurez-vous de bien sécher toutes les surfaces en verre après les avoir nettoyées.**

## 6. SPECIFICATIONS TECHNIQUES

Dimensions et poids	<b>Longueur</b>	<b>Largeur</b>	<b>Hauteur</b>	<b>Poids</b>
	335 mm (13,1 po)	332 mm (13 po)	241 mm (9,4 po)	4,2 kg (9,2 lb)
<b>Remarque : Les dimensions en pouce sont arrondies à la décimale la plus proche.</b>				
Alimentation	<b>Tension d'entrée</b>	<b>Plage</b>	<b>Sélection de tension</b>	
	Commutation (interne)	Entre 100 et 240 VCA, 50/60 Hz	Universelle	
	<b>Paramètre</b>	<b>120 V, 60 Hz</b>	<b>230 V, 50 Hz</b>	
	Consommation	40 W	38 W	
	Courant de fonctionnement	0,5 A	0,3 A	
	Courant de chaînage électrique (unités)	8 A (15 unités)	8 A (26 unités)	
	Fusible	T 1.6 A, 250 V	T 1.6 A, 250 V	
	<b>E/S alimentation</b>	<b>US / Monde</b>	<b>UK / Europe</b>	
	Connecteur d'entrée d'alimentation	IEC	IEC	
	Connecteur de sortie d'alimentation	Edison	IEC	
	Prise du cordon d'alimentation	Edison (US)	Prise locale	
Source lumineuse				
Laser	<b>Type</b>	<b>Alimentation</b>	<b>Longueur d'onde</b>	
	Laser (vert)	30 mW	532 nm	
	Laser (rouge)	100 mW	650 nm	
LED de type wash	<b>Type</b>	<b>Alimentation</b>	<b>Durée de vie</b>	
	LED	1,5 W	50 000 heures	
	<b>Couleur</b>	<b>Quantité</b>	<b>Courant</b>	
	Quadricolore RGB+UV	8	600 mA	
LED de type swarm	<b>Type</b>	<b>Alimentation</b>	<b>Durée de vie</b>	
	LED	3 W	50 000 heures	
	<b>Couleur</b>	<b>Quantité</b>	<b>Courant</b>	
	Rouge	1	500 mA	
	Vert	1	500 mA	
	Bleu	1	500 mA	
	Ambre	1	500 mA	
Blanc	1	500 mA		
Stroboscope	<b>Type</b>	<b>Alimentation</b>	<b>Durée de vie</b>	
	LED	1 W	50 000 heures	
	<b>Couleur</b>	<b>Quantité</b>	<b>Courant</b>	
	Blanc	12	300 mA	
Données photométriques	<b>Paramètre</b>			
	Angle de couverture (laser)	82°		
	Angle de couverture (Swarm)	65°		
	Angle de couverture (stroboscope SMD)	71°		
	Angle de couverture (wash)	46°		
	Fréquence de stroboscope	0-20 Hz		
	Éclairage @ 2 m (stroboscope)	823 lux		
Thermique	<b>Température externe maximum du laser</b>	<b>Système de refroidissement</b>		
	95 °F (35 °C)	Convection		
DMX	<b>Connecteurs E/S</b>	<b>Type de connecteur</b>	<b>Plage de canaux</b>	
	Prise XLR à trois broches	Prises	18 ou 2	
Commande	<b>Nom du produit</b>	<b>Code de l'article</b>	<b>Code UPC</b>	
	Swarm Wash FX	10051155	781462215033	



# RENOIS

Pour assistance ou renvoi d'un produit :

- Si vous résidez aux États-Unis, contactez le siège mondial de Chauvet (voir [Nous Contacter](#)).
- Si vous vivez au Royaume-Uni ou en Irlande, contactez Chauvet Europe Ltd. (voir [Nous Contacter](#)).
- Si vous vivez au Mexique, contactez Chauvet Mexico (voir [Nous Contacter](#)).
- Si vous vivez au Benelux, contactez Chauvet Europe BVBA (voir [Nous Contacter](#)).
- Si vous résidez n'importe où ailleurs, NE contactez pas Chauvet. Veuillez plutôt contacter votre revendeur local. Rendez-vous sur [www.chauvetlighting.com](http://www.chauvetlighting.com) pour découvrir la liste des revendeurs en dehors des États-Unis, du Royaume-Uni, de l'Irlande, de Mexique, et de Benelux.



**Si vous résidez en dehors des États-Unis, du Royaume-Uni, l'Irlande, de Mexique, et de Benelux, contactez votre revendeur et suivez ses instructions quant à la procédure à suivre pour renvoyer votre appareil. Consultez notre site Web pour en trouver les coordonnées.**

Téléphonez au centre d'assistance technique de Chauvet correspondant et demandez un numéro d'autorisation de retour (NAR) avant de nous réexpédier l'appareil. Pour l'obtenir, il vous sera demandé de fournir le numéro du modèle, le numéro de série ainsi qu'une brève description de l'objet du retour.

Envoyez la marchandise en port prépayé, dans son conditionnement d'origine, avec son emballage et ses accessoires d'origine. Chauvet ne délivrera pas d'étiquettes de renvoi.

Indiquez lisiblement le NAR sur une étiquette apposée sur le colis. Chauvet refusera la réception de tout appareil pour lequel aucun NAR n'a été demandé.



**Inscrivez le NAR sur une étiquette convenablement collée. N'écrivez PAS le NAR directement sur le colis.**

Avant de nous retourner le colis, inscrivez les informations suivantes, de manière lisible, sur une feuille de papier, que vous placerez à l'intérieur du colis :

- Votre nom
- Votre adresse
- Votre numéro de téléphone
- Le numéro NAR
- Une courte description du problème

Veillez à emballer l'appareil de manière adéquate. Vous serez tenu responsable de tout dommage survenant lors de l'expédition de retour dû à un emballage inadéquat. Nous vous recommandons d'utiliser un emballage double ou celui de FedEx.



**Chauvet se réserve le droit, à sa convenance, de réparer ou remplacer tout appareil qui lui est retourné.**

# 1. ERSTE SCHRITTE

## Packungs- inhalt

- Swarm Wash FX
- Netzkabel
- Garantiekarte
- Bedienungsanleitung

## Anweisungen für das Auspacken

Packen Sie das Produkt sofort vorsichtig aus und überprüfen Sie, ob Sie alle Teile unbeschädigt erhalten haben.

## Schadens- meldung




Wenn die Verpackung oder die in der Verpackung befindlichen Teile (Gerät und Zubehör) beschädigt sind oder Mängel durch nicht einwandfreie Behandlung aufweisen, benachrichtigen Sie umgehend das Transportunternehmen, nicht jedoch Chauvet. Eine nicht zeitnah erfolgte Benachrichtigung kann dazu führen, dass Sie Ihren Gewährleistungsanspruch gegenüber dem Transportunternehmen verlieren. Bewahren Sie überdies die Verpackung für eine spätere Überprüfung auf.

Bei anderen Problemen wie etwa fehlende Komponenten oder Teile, Schäden, die nicht durch den Transport entstanden sind, oder nicht offensichtliche Schäden, machen Sie Ihren Anspruch gegenüber Chauvet innerhalb von 7 Tagen ab Lieferung der Waren geltend.

## Konventionen des Handbuchs

Konvention	Bedeutung
1–512	Eine Bandbreite an Werten
50/60	Ein Wertesatz, aus dem nur ein Wert ausgewählt werden kann
Settings	Eine Menüoption, die nicht geändert werden kann
Menu > Settings	Eine Sequenz von Menüoptionen, die befolgt werden muss
<ENTER>	Eine zu betätigende Taste auf dem Bedienfeld des Geräts

## Symbole

Symbol	Bedeutung
	Wichtige Informationen zur Installation, Konfiguration und zum Betrieb. Bei Nichtbeachtung dieser Informationen kann es zu Fehlfunktionen oder Beschädigungen des Geräts oder zu Verletzungen des Bedieners kommen.
	Wichtige Informationen zur Installation oder Konfiguration. Wenn diese Informationen nicht beachtet werden, kann es zu Fehlfunktionen kommen.
	Nützliche Informationen

## Haftungs- ausschluss

Chauvet geht davon aus, dass alle in diesem Handbuch enthaltenen Informationen in jeder Hinsicht sorgfältig und genau sind. Chauvet übernimmt jedoch keine Haftung und schließt speziell jegliche Verantwortung gegenüber Dritten für Verluste, Schäden oder Störungen aus, die durch Fehler oder Auslassungen in diesem Dokument entstanden sind, unabhängig davon, ob sich diese Fehler oder Auslassungen aus einer Nachlässigkeit, einem Versehen oder aus anderen Gründen ergeben haben. Chauvet behält sich das Recht vor, den Inhalt dieses Dokuments zu ändern, ohne Verpflichtung, andere Personen oder Unternehmen von dieser Überarbeitung in Kenntnis zu setzen, Chauvet ist jedoch nicht verpflichtet, solche Überarbeitungen vorzunehmen und verpflichtet sich auch nicht, dies zu tun. Laden Sie die jeweils aktuelle Version unter [www.chauvetlighting.com](http://www.chauvetlighting.com) herunter.

Die in diesem Handbuch enthaltenen urheberrechtlich geschützten Arbeiten, einschließlich, aber nicht beschränkt darauf, aller Zeichnungen, Texte und Bilder, sind das Eigentum von Chauvet.

© Copyright 2016 Chauvet & Sons, LLC. Alle Rechte vorbehalten.

Durch Chauvet elektronisch in den Vereinigten Staaten veröffentlicht.

CHAUVET, das Chauvet Firmenlogo und der *“Swarm Wash FX”* sind eingetragene Marken oder Warenzeichen von Chauvet & Sons LLC. (d/b/a Chauvet und Chauvet Lighting) in den Vereinigten Staaten und in anderen Ländern. Andere Unternehmens- und Produktnamen, auf die hier Bezug genommen wird, können Warenzeichen der jeweiligen Unternehmen sein.

## Sicherheits- hinweise



Diese Anleitung enthält wichtige Sicherheits- und Betriebshinweise über das Lasersystem. Alle Anweisungen vor der ersten Inbetriebnahme lesen und verstehen, um Augenverletzungen und Verstöße gegen Gesetze zu vermeiden. Die Kenntnis der Sicherheitshinweise ist wichtig, um Augenverletzungen durch Laserstrahlen und Gesetzesverstöße zu vermeiden. Bitte heben Sie diese Bedienungsanleitung zur späteren Einsicht an einem sicheren Ort auf.



### **STOPPEN SIE HIER UND LESEN SIE SICH ALLE SICHERHEITSANWEISUNGEN BEZÜGLICH DER LASERSICHERHEIT UND DER SPEZIFIKATIONEN DURCH**



- Laserstrahlen sind gefährlich und bedürfen besonderer Sicherheitsvorkehrungen. Bei falschem Gebrauch kann Blindheit und dauerhafter Augenschaden die Folge sein. Bitte beachten Sie ALLE Sicherheitshinweise und Warnungen in dieser Anleitung. Alle Anweisungen genau durchlesen, BEVOR Sie das Gerät in Betrieb nehmen.
- Schließen Sie dieses Gerät immer an die Masse an, um die Gefahr elektrischer Schläge zu reduzieren.
- Trennen Sie das Gerät von der Stromquelle, bevor Sie es reinigen.
- Bei eingeschaltetem Gerät direkten Augenkontakt mit der Lichtquelle vermeiden.
- Stellen Sie sicher, dass das Netzkabel nicht gequetscht oder beschädigt ist.
- Ziehen Sie beim Trennen des Geräts von der Stromversorgung nie am Kabel.
- Verwenden Sie für die Montage der Effektgeräte über Kopf immer ordnungsgemäße Sicherheitskabel.
- Stellen Sie sicher, dass das Gerät mit einem Sicherheitsabstand zu entzündlichen Materialien betrieben wird.
- Niemals während des Betriebs das Gehäuse berühren, da dies sehr heiß wird.



- Dieses Produkt eignet sich nicht für eine permanente Installation.
- Die Spannung der Schukosteckdose, an die Sie das Gerät anschließen, muss sich innerhalb des Spannungsbereiches befinden, der auf dem Hinweisschild oder dem rückwärtigen Bedienfeld des Geräts angegeben ist.
- Dieses Gerät darf nur im Innenbereich verwendet werden. (IP20) Um das Risiko von Bränden oder elektrischen Schlägen zu vermeiden, dürfen Sie das Gerät nicht Regen oder Feuchtigkeit aussetzen.
- Installieren Sie das Gerät immer an einem Ort mit ausreichender Belüftung und mit einem Abstand von 50 cm zu den angrenzenden Flächen.
- Stellen Sie sicher, dass die Lüftungsöffnungen am Gehäuse des Geräts nicht verschlossen sind.
- Schließen Sie dieses Gerät niemals an einen Dimmer an.
- Heben Sie das Produkt zum Tragen nur am Hänge-/Befestigungsbügel an.
- Vermeiden Sie wiederholtes Ein- und Ausschalten des Geräts innerhalb eines kurzen Zeitraums. Dadurch wird die Lebensdauer der Laserdiode reduziert.
- Dieses Gerät nicht schütteln. Vermeiden Sie, bei der Montage oder dem Betrieb des Geräts übermäßige Gewalt anzuwenden.
- STETS angemessene Sicherheitskabel zum Aufhängen von Lichteffectgeräten verwenden.
- Die Betriebsumgebungstemperatur des Lasers beträgt 59 °F bis 95 °F (15 °C bis 35 °C). Dieses Produkt nicht außerhalb dieses Bereichs zu betreiben.
- Bei ernsthaften Betriebsproblemen stoppen Sie umgehend die Verwendung des Geräts.
- Versuchen Sie nie selbst, dieses Gerät zu reparieren. Reparaturen müssen von entsprechend geschultem Fachpersonal durchgeführt werden, da sonst Schäden oder Fehlfunktionen auftreten können. Wenden Sie sich an den nächsten Technischen Support.



- Vermeiden Sie direkten Augenkontakt mit dem Laserstrahl. Niemals absichtlich Ihre Augen oder die Augen anderer Personen direktem Laserlicht aussetzen.
- Der Laserstrahl kann sofort Ihre Augen verletzen oder zu Blindheit führen, wenn er direkt ins Auge fällt.
- Es ist verboten und gefährlich, den Laserstrahl aufs Publikum zu richten, wo das Licht oder die Reflexion des Lichtstrahls Personen ins Auge treffen kann.
- Niemals den Laserstrahl auf Flugzeuge richten.
- Sie setzen sich gefährlichen Strahlungen aus, wenn Sie Einstellungen oder Arbeiten am Gerät vornehmen, die nicht ausdrücklich in dieser Anleitung erwähnt sind.
- Um unnötigen Verschleiß zu vermeiden und die Lebensdauer des Geräts zu verlängern, trennen Sie während längerer Perioden des Nichtgebrauchs das Gerät vom Stromnetz – entweder per Trennschalter oder durch Herausziehen des Steckers aus der Steckdose.
- **Versuchen Sie NICHT, selbst Reparaturen durchzuführen. Bei Reparaturbedarf wenden Sie sich bitte an Ihren Fachhändler. Aus Gründen der Sicherheit sind nicht autorisierte Änderungen am Gerät unzulässig!**



- **Bitte heben Sie diese Bedienungsanleitung zur späteren Einsicht auf. Achten Sie bei einem Eigentümerwechsel des Geräts darauf, dass dieses Dokument am Lasergerät verbleibt.**

### **Achtung! Kein Schutz bei geöffnetem Gehäuse**

- Das Gerät enthält Laser mit hohen Leistungen.
- Öffnen Sie nicht das Gehäuse des Lasers, da Sie sich sonst einer gesundheitsschädlichen Laserstrahlung aussetzen könnten.
- Die Laserstrahlungsklassen können, wenn das Gerät geöffnet ist, zu Erblindung, Hautverbrennungen und Feuer führen.

### **Hinweise zur Lasersicherheit**

#### **STOPPEN SIE HIER UND LESEN SIE SICH ALLE NACHSTEHENDEN SICHERHEITSANWEISUNGEN BEZÜGLICH DER LASERSICHERHEIT UND DER SPEZIFIKATIONEN DURCH**



Laserlicht hat nichts mit anderen Lichtquellen, die sie vielleicht kennen, zu tun. Das Licht dieses Produktes kann Augenverletzungen verursachen, wenn es nicht richtig installiert und bedient wird. Laserlicht ist mehrere tausend Male konzentrierter als jede andere Lichtquelle. Diese hohe Konzentration kann zu sofortigen Augenverletzungen führen, insbesondere zur Verbrennung der Netzhaut. Selbst wenn Sie keine „Hitze“ vom Laserstrahl spüren, kann er trotzdem Blindheit verursachen. Sogar ganz geringe Mengen von Laserstrahlen auf lange Entfernungen sind gefährlich.

Es ist **FALSCH** zu denken, dass der einzelne Strahl fürs Auge ungefährlich ist, weil diese Produkte der Unterhaltungselektronik den Strahl in hunderte von Strahlen teilen oder bei hoher Geschwindigkeit durch den Raum schießen. Dieses Laserprodukt verwendet Dutzende von Milliwatt Laserleistung (Klasse 3B Laser). Viele der einzelnen Strahlen stellen eine potenzielle Gefahr dar.

Es ist ebenfalls **FALSCH** zu glauben, dass der Laserstrahl harmlos ist, weil er sich bewegt. Das ist nicht wahr und außerdem bewegt er sich auch nicht ständig. Da Augenverletzungen sofort auftreten, ist es lebenswichtig, die Möglichkeit von eventuellem, direktem Augenkontakt völlig auszuschließen. In den Sicherheitsbestimmungen für Laser ist es illegal, einen Laser der Klasse 3B auf Bereiche zu richten, wo sich Personen befinden können. Dies gilt auch, wenn der Strahl unterhalb von den Augen der Menschen, z. B. auf den Tanzboden gerichtet ist.



- Betreiben Sie den Laser nicht, ohne zunächst die in dieser Bedienungsanleitung aufgeführten Sicherheits- und technischen Daten gelesen und verstanden zu haben.
- Installieren Sie die Lasereffekte IMMER so, dass alle Laserstrahlen mindestens 3 Meter (9,8 Fuß) über dem Boden verlaufen, auf dem Leute stehen können. Siehe den Abschnitt „Bestimmungsgemäße Verwendung“ in dieser Anleitung.
- Nach der Montage und vor der Inbetriebnahme in der Öffentlichkeit, testen Sie, ob das Gerät einwandfrei funktioniert. Falls ein Defekt auftritt, darf das Gerät nicht benutzt werden.
- Auch nicht benutzen, wenn der Laser nur einen oder zwei Laserstrahlen statt Dutzende/Hunderte ausstrahlt, da dies auf eine Beschädigung der Beugungsgitteroptik hinweisen kann und eine Laserstrahlung erzeugen könnte, die über der Klasse 3R liegt.
- Den Laserstrahl NIEMALS auf Menschen oder Tiere richten.
- NIEMALS in die Laseraustrittsöffnung oder einen Laserstrahl blicken.
- Den Laserstrahl NICHT auf Bereiche richten, wo Menschen möglicherweise dem Strahl ausgesetzt werden können.
- Den Laser NIEMALS auf stark reflektierende Oberflächen richten, wie Fenster, Spiegel und glänzendes Metall. Sogar reflektierte Laserstrahlen können gefährlich sein.
- Den Laser niemals auf Flugzeuge richten, da dies einen Verstoß gegen geltendes Recht darstellt.
- Niemals unbegrenzte Laserstrahlen in den Himmel richten.
- Niemals die Austrittsoptik chemischen Reinigungsmitteln aussetzen.
- Niemals den Laser verwenden, wenn das Gehäuse beschädigt oder offen ist oder die Optik auf irgendeiner Art beschädigt ist.
- Niemals das Gehäuse des Lasers öffnen. Die hohe Laserleistung im Gehäuse kann Feuer, Hautverbrennungen und Augenverletzungen verursachen.
- Das Gerät niemals ohne Aufsicht laufen lassen.
- Der Betrieb eines Showlasers der Klasse 3B ist zu zulässig, wenn das Gerät von einem ausgebildeten Fachmann betrieben wird, der mit den Informationen in dieser Anleitung vertraut ist.
- Die rechtlichen Anforderungen an die Verwendung von Laserprodukten für die Unterhaltungsindustrie sind länderspezifisch. Die gesetzlichen Vorschriften zum Gebrauch von Lasern in der Unterhaltungselektronik ist von Land zu Land verschieden. Der Benutzer ist für die Einhaltung der gesetzlichen Vorschriften verantwortlich.



**VORSICHT! Dieses Gerät darf nicht auf eine andere Art betrieben werden, als in dieser Bedienungsanleitung beschrieben. Wenn das Gerät in einer anderen Weise als in dieser Anleitung beschrieben, betrieben wird, kann der Produkt Schäden erleiden es kann zu Verletzungen beim Benutzer oder Publikum kommen und jeglicher Garantieanspruch verfällt.**

**VORSICHT! Dieses Produkt darf nicht über den Hausmüll entsorgt werden. Weitere Informationen zu den Vorschriften in Ihrem Gebiet erhalten Sie bei den zuständigen Abfallbehörden.**





**Warnung vor Laserstrahlen**



**LASERSTRAHLEN DIE AUGEN NICHT DIREKTEN STRAHLEN AUSSETZEN**

Weitere Richtlinien und Programme zur sicheren Benutzung von Lasergeräten finden Sie in der Norm ANSI Z136.1 "For Safe Use of Lasers", die vom Laser Institute of America: [www.laserinstitute.org](http://www.laserinstitute.org) bezogen werden kann. Viele lokale Behörden, Unternehmen, Agenturen, das Militär und andere Einrichtungen erfordern eine Benutzung von Lasergeräten gemäß der Norm ANSI Z136.1. Die Richtlinie "Laser Display" kann über die International Laser Display Association: [www.laserist.org](http://www.laserist.org) bezogen werden.

**Laseremissionsdaten**

Gemäß der Messung unter den IEC-Messbedingungen zur Klassifizierung

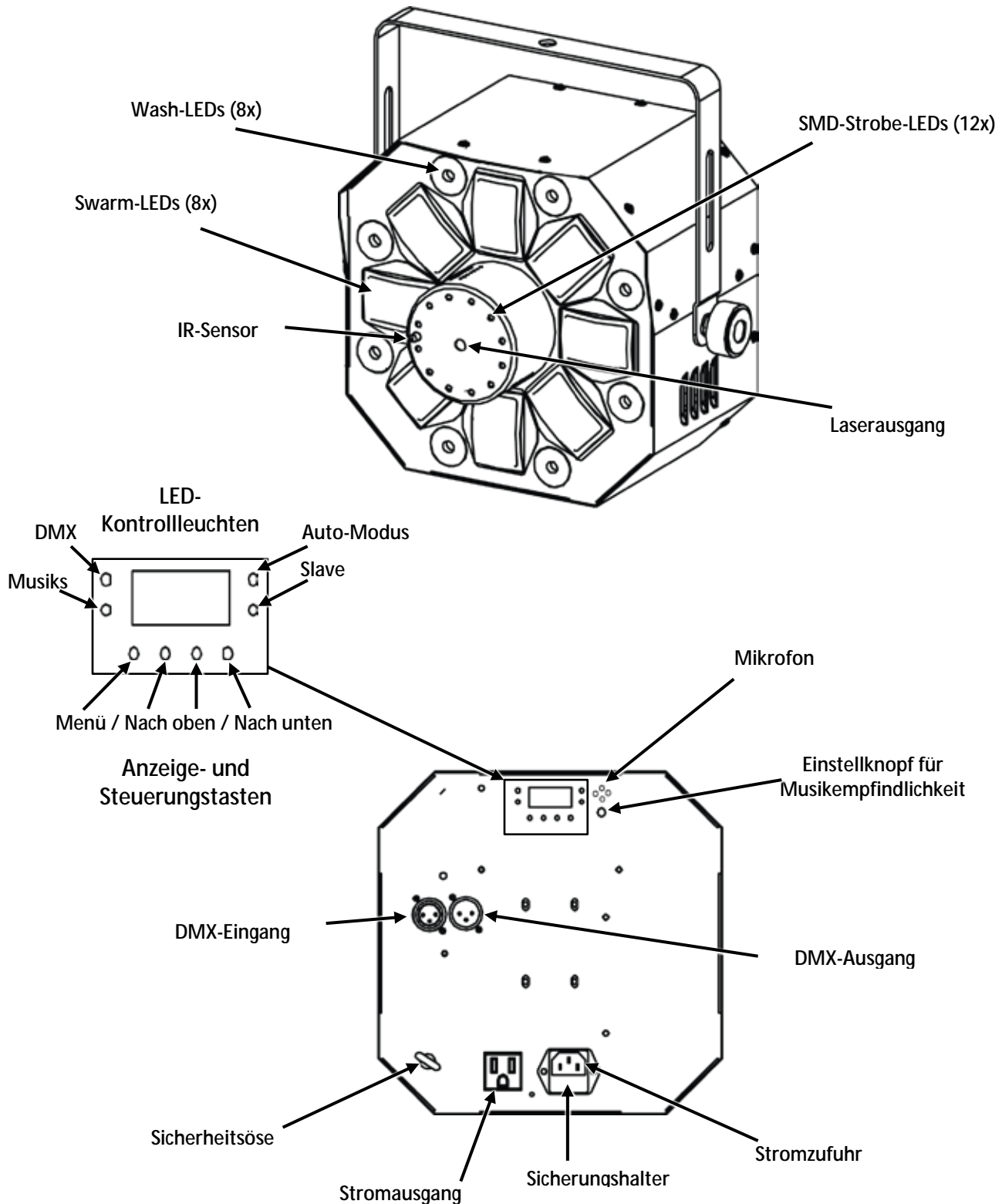
<b>Laserklassifizierung</b>	Klasse 3R
<b>Grüner Laser</b>	DPSS Nd:YVO4, 532 nm/30 mW
<b>Roter Laser</b>	LD GaAlAs, 650 nm/100 mW
<b>Strahldurchmesser</b>	<5 mm am Austritt
<b>Impulsdaten</b>	Alle Impulse < 4 Hz (>0.25 sec)
<b>Streuverlust (jeder Strahl)</b>	<2 mrad
<b>Streuverlust (Gesamtlicht)</b>	<160 Grad
<b>Laserleistung jedes Strahls am Austritt</b>	<5 mW

**Laser-Konformitätserklärung**

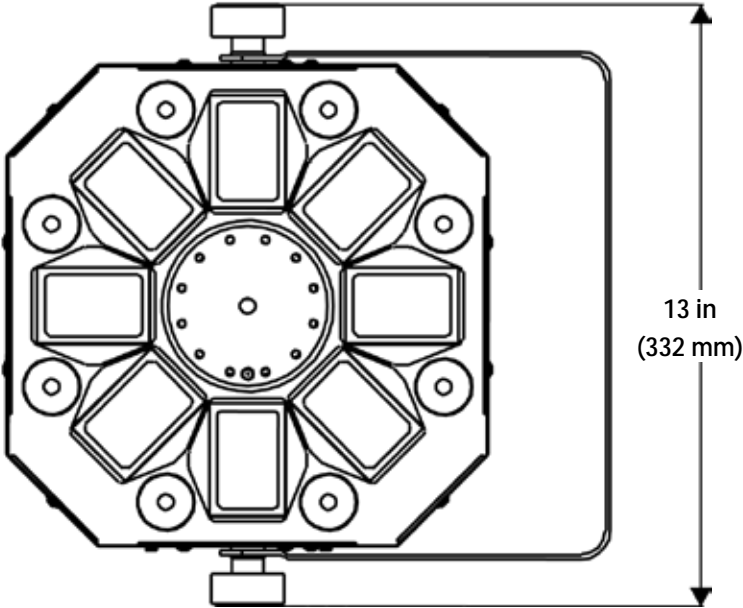
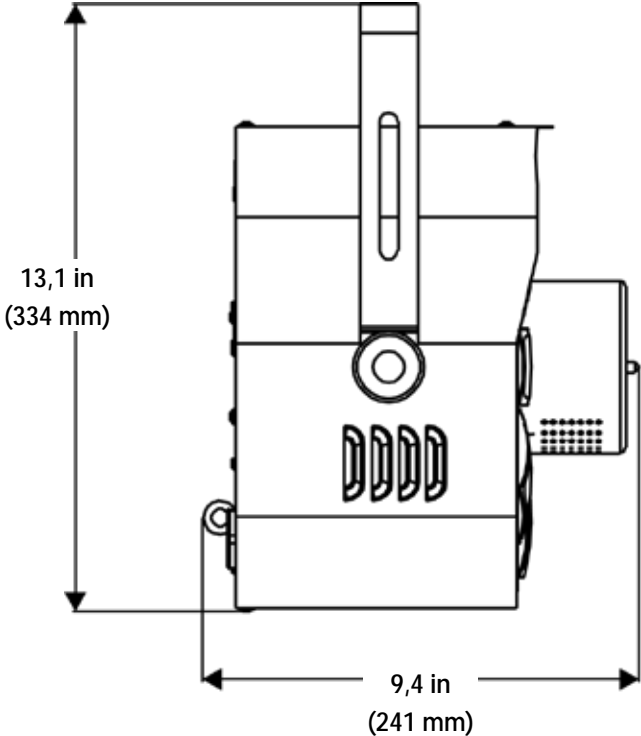
Dieses Lasergerät entspricht EN/IEC 60825-1 Ed 2, 2007-03 und den US-Bestimmungen FDA/CDRH FLPPS per den Bestimmungen der Laser Notice Nr. 50, vom 24. Juni 2007. Dieses Lasergerät ist ein Produkt der Klasse 3R. (Klasse 3R ist international gleichwertig mit der US-Klasse IIIa.) Zur Wahrung der Konformität des Geräts bezüglich der Laserleistungsstandards sind keine Wartungsarbeiten erforderlich.

# 2. EINLEITUNG

## Übersicht



# Abmessungen



# 3. EINRICHTEN DES GERÄTS

**Wechselstrom** Der Swarm Wash FX verfügt über ein Vorschaltgerät, das automatisch die anliegende Spannung erkennt, sobald der Netzstecker in die Schukosteckdose gesteckt wird, und kann mit einer Eingangsspannung von 100~240 V AC, 50/60 Hz arbeiten.

Um die erforderlichen Kennzahlen des Netzanschlusses (Leistungsschalter, Wandsteckdose und Netzkabel) zu ermitteln, verwenden Sie den aktuellen Wert, der sich auf dem Hinweisschild auf der Rückseite des Geräts befindet oder entnehmen diese der Tabelle der „Technischen Daten“. Die aktuell aufgeführten Werte entsprechen dem durchschnittlichen Stromverbrauch des Geräts unter normalen Bedingungen.



- **Schließen Sie dieses Gerät nur an einen abgesicherten Stromkreislauf (Leistungsschalter oder Sicherung) an. Stellen Sie sicher, dass das Gerät entsprechend an die Masse angeschlossen ist, um die Gefahr elektrischer Schläge oder eines Brands zu vermeiden.**
- **Um unnötigen Verschleiß zu vermeiden und die Lebensdauer des Geräts zu verlängern, trennen Sie während längerer Perioden des Nichtgebrauchs das Gerät vom Stromnetz – entweder per Trennschalter oder durch Herausziehen des Steckers aus der Steckdose.**



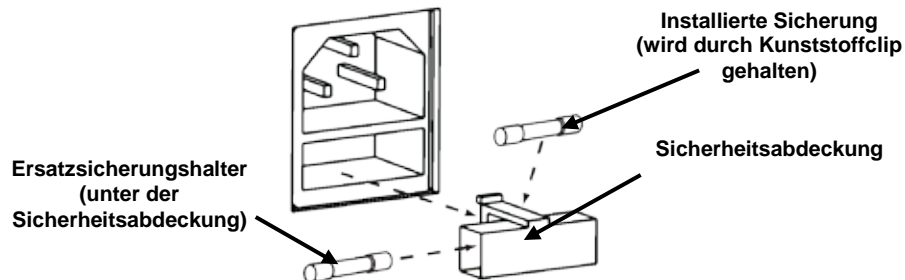
**Schließen Sie dieses Gerät niemals an einen Regelwiderstand oder Dimmer an, auch nicht, wenn der Regelwiderstand oder Dimmer nur als 0 bis 100% Schalter dient.**

## Auswechseln der Sicherung

1. Trennen Sie das Gerät vom Stromnetz.
2. Klemmen Sie die Spitze eines Flachkopfschraubendrehers in den Schlitz des Sicherungshalters.
3. Hebeln Sie den Sicherungshalter vom Gehäuse weg ab.
4. Entfernen Sie die durchgebrannte Sicherung aus der Halterung.
5. Die Sicherung darf nur durch eine vollkommen gleichwertige ersetzt werden.
6. Setzen Sie die Sicherung wieder ein, und schließen Sie das Gerät an das Stromnetz an.



**Trennen Sie das Gerät von der Stromquelle, bevor Sie die Sicherung auswechseln.**



## Serienschaltung der Geräte

Eine Serienschaltung ist der Zusammenschluss mehrerer Geräte für eine Show an den Stromeingängen und -ausgängen, sodass mehrere Geräte über eine Wandsteckdose versorgt werden können.

Bis zu 15 Swarm Wash FX-Geräte lassen sich bei 120 V, und bis zu 26 Swarm Wash FX-Geräte lassen sich bei 230 V zusammenschließen.

Die nachstehende Tabelle zeigt den Ablauf der Serienschaltung an.

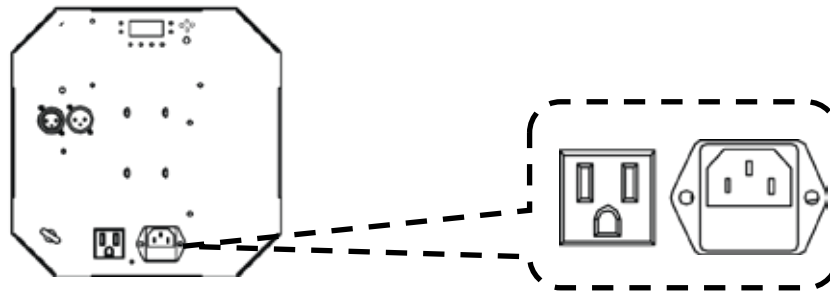
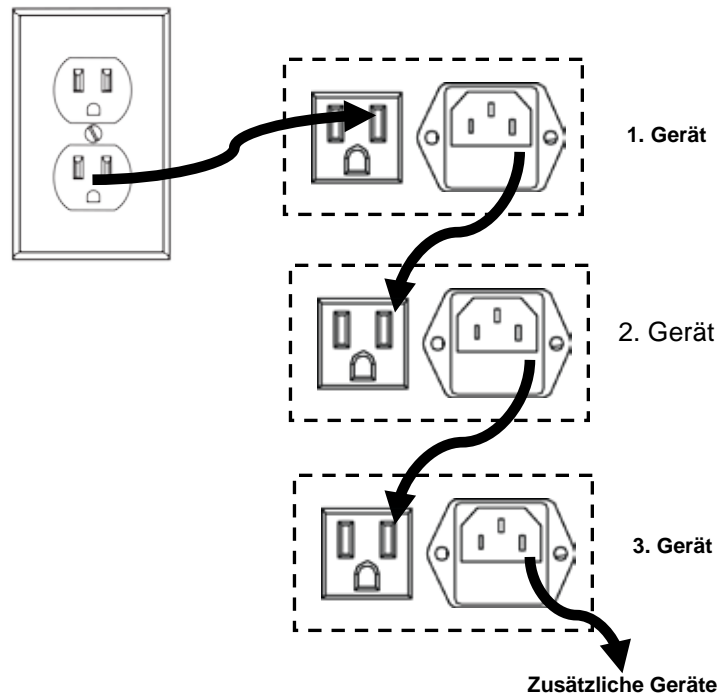


Abbildung für Serienschaltung



Schließen Sie nicht mehr als 15 Swarm Wash FX-Geräte bei 120 V zusammen.  
Schließen Sie nicht mehr als 26 Swarm Wash FX-Geräte bei 230 V zusammen.



Die obere Abbildung für Serienschaltung entspricht nur den Produktversionen für den nordamerikanischen Markt.

Die Serienschaltung von Geräten ist länder- und regionsspezifisch.

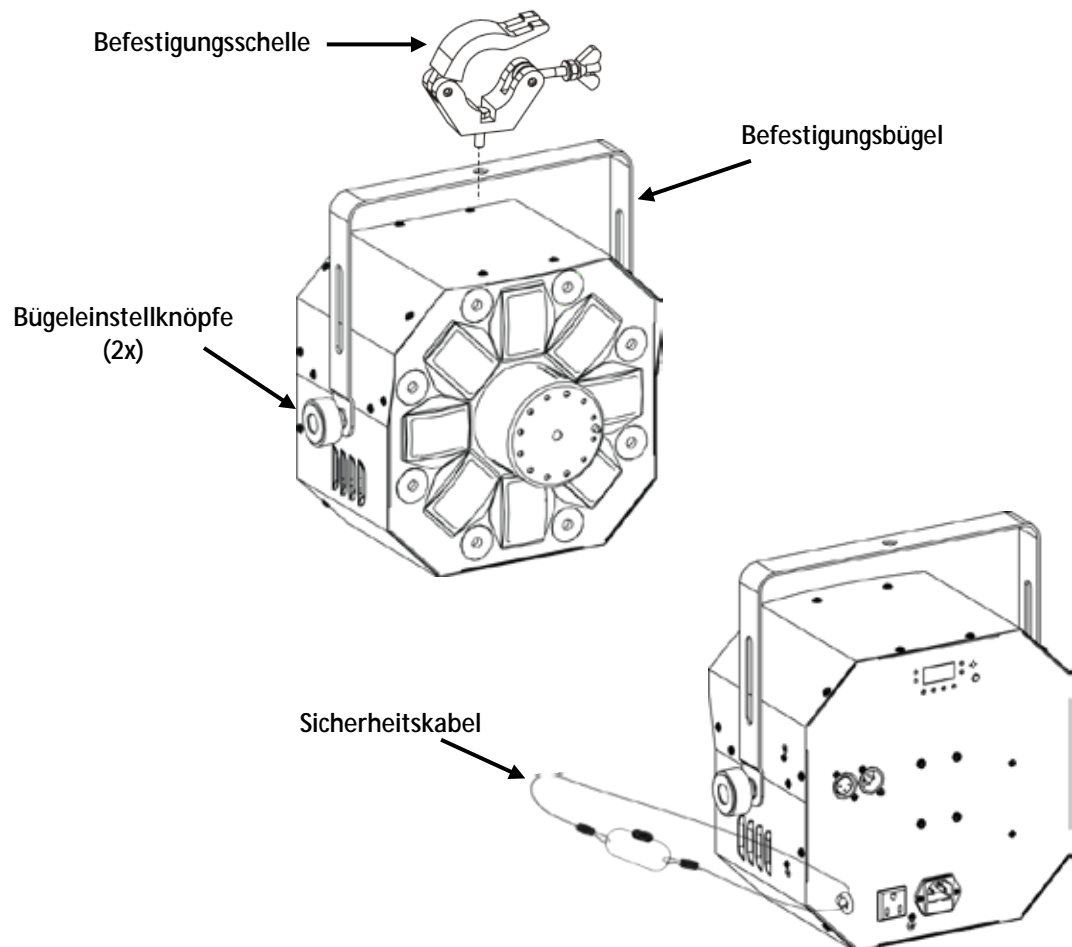
Wenn Sie dieses Produkt außerhalb von Nordamerika verwenden, wenden Sie sich an den lokalen Distributor von Chauvet.

**Montage** Lesen Sie vor der Montage des Geräts die in den Sicherheitshinweisen enthaltenen Sicherheitsempfehlungen durch. Mindestens einen Befestigungspunkt pro Gerät verwenden. Stellen Sie sicher, dass die Befestigungsklemme (wie die CLP-15 von Chauvet) dafür ausgelegt sind, das Produktgewicht tragen zu können. Informationen zu unserer Chauvet-Produktlinie für Befestigungsklemmen finden Sie unter [www.chauvetlighting.com/cables-clamps-main.html](http://www.chauvetlighting.com/cables-clamps-main.html).

**Montagerichtung** Der Swarm Wash FX muss in einer Position befestigt werden, die einen sicheren Betrieb des Lasers erlaubt. Sorgen Sie zudem dafür, dass das Gerät ausreichend belüftet ist.

- Hängende Montage**
- Bevor Sie sich für eine Montagestelle entscheiden, müssen Sie bedenken, dass das Gerät zur Wartung und Programmierung immer leicht zugänglich ist.
  - Stellen Sie sicher, dass die Struktur oder Oberfläche, an oder auf die Sie das Gerät montieren, dessen Gewicht tragen kann (siehe [Technische Daten](#)).
  - Verwenden Sie für die Montage des Geräts über Kopf immer ordnungsgemäße Sicherheitskabel, wie etwa das von Chauvet verfügbare **CH-05**. Befestigen Sie das Gerät sicher an einem Aufhängepunkt, was etwa ein erhöhtes Podest oder ein Gerüstelement sein kann.
  - Verwenden Sie bei der Befestigung an ein Gerüstelement eine Befestigungsschelle mit der erforderlichen Tragfähigkeit. Der Bügel verfügt dazu über mehrere 13 mm große Löcher.
  - Mit den Bügeleinstellknöpfen lässt sich die winklige Ausrichtung des Geräts justieren. Die Bügeleinstellknöpfe nur manuell lösen und festschrauben. Bei der Verwendung von Hebelwerkzeugen können die Bügeleinstellknöpfe beschädigt werden.

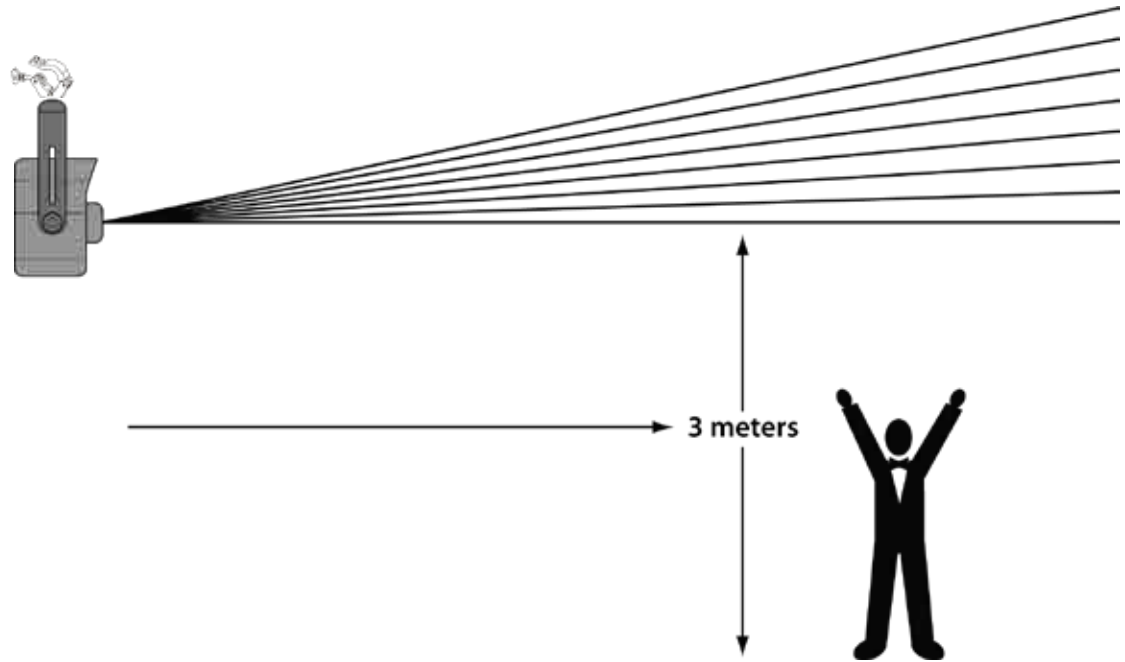
**Montageansicht**



**Bestimmungs-  
gemäße  
Verwendung**

Das Gerät muss aufgehängt werden. Aus Sicherheitsgründen ist es empfehlenswert, den Lichteffekt auf festen, erhöhten Plattformen oder an festen Befestigungsstützen mit geeigneten Befestigungsschellen zu befestigen. Verwenden Sie immer Sicherheitskabel. Geeignetes Material erhalten Sie bei Ihrem Fachhändler für Lichteffektgeräte.

Internationale Laser-Sicherheitsbestimmungen verlangen, dass Laser wie unten abgebildet eingesetzt werden, in einer Mindesthöhe von 3 m über dem Boden. Hinzu kommt ein horizontaler Abstand von 3 m zwischen Laser und Publikum.



**VORSICHT!** Die Ausführung von Befehlen, Einstellungen und Handlungen, die nicht in dieser Anleitung beschrieben sind, können zu gefährlichen Laserstrahlungen führen.



## 4. BETRIEB

Dieses Produkt eignet sich nicht für eine permanente Installation. Regelmäßige Betriebspausen sind wichtig, um die Lebensdauer dieses Geräts zu erhöhen. Immer den Netzstecker abziehen, wenn der Swarm Wash FX längere Zeit nicht benutzt wird.

**Betrieb des Bedienfeldes** Zum Zugreifen auf das Bedienfeld verwenden Sie die vier Tasten unter der Anzeige. Wenn das Produkt eingeschaltet ist, zeigt der LED-Monitor auf dem rückwärtigen Bedienfeld den aktuellen Betriebsmodus an (Stand-alone oder DMX). Wenn das Gerät ausgeschaltet wird, merkt es sich die zuletzt gespeicherten Einstellungen.

Taste	Funktion
<MENU>	Um einen Betriebsmodus zu suchen oder zum Hauptmenü zurückzukehren, betätigen Sie diese Taste.
<UP>	Damit navigieren Sie durch die Menüpunkte nach oben und erhöhen den numerischen Wert der entsprechenden Funktionen.
<DOWN>	Damit navigieren Sie durch die Menüpunkte nach unten und verringern den numerischen Wert der entsprechenden Funktionen.
<ENTER>	Aktiviert eine Menüoption oder einen ausgewählten Wert.

### Menüstruktur

Modus	Programmierschritte		Beschreibung
DMX	2-CH	d001–d511	Stellt die DMX-Adresse und den DMX-Modus ein
	18CH	d001–d495	
Auto	P--	P 1-15	Wählt Effekt und Geschwindigkeit des Auto-Programms aus (langsam bis schnell)
Geschwindigkeit	S--	S.01–S.99	Geschwindigkeit für Musiksteuerungs-Modus und Auto-Programme
Musiksteuerung	SND	SN 1-15	Wählt die Effekte des Musiksteuerungs-Programms aus
IR-Funktion	SET	ON	Ein-Aus IR-Funktionen
		OFF	

### Auto- und Musiksteuerungs-Modi definiert

Programm	Effekt
1	Alle Effekte: Derby, Laser, Stroboskop und Wash
2	Nur Wash
3	Nur Laser
4	Nur Derby
5	Nur Stroboskop
6	Wash, Laser und Derby
7	Wash, Laser und Stroboskop
8	Wash, Derby und Stroboskop
9	Laser, Derby und Stroboskop
10	Wash und Laser
11	Wash und Derby
12	Wash und Stroboskop
13	Laser und Derby
14	Laser und Stroboskop
15	Derby und Stroboskop

## Konfiguration (DMX)

Zur Steuerung mit einem DMX-Controller versetzen Sie das Gerät in den DMX-Modus. Das Gerät verwendet ein 3-poliges DMX-Kabel.

1. Schließen Sie das Gerät an eine passende Wandsteckdose an.
2. Schließen Sie ein DMX-Kabel am DMX-Ausgang des DMX-Controllers und am DMX-Eingang des Geräts an.

## Startadresse

Beachten Sie bei der Auswahl der DMX-Startadresse die vom Gerät verwendete Anzahl der DMX-Kanäle. Wenn Sie eine Startadresse verwenden, die zu hoch ist, müssen Sie den Zugang zu einigen Gerätekanälen beschränken.

Der Swarm Wash FX verwendet 2 oder 14 DMX-Kanäle, das heißt, dass die höchste im 14-Kanal-Modus zu verwendende DMX-Adresse die **495** ist.

Wenn Sie mit dem DMX-Protokoll nicht vertraut sind, laden Sie "DMX - Eine Einführung" unter <http://www.chauvetlighting.com> herunter.

Um die DMX-Startadresse auszuwählen, gehen Sie wie folgt vor:

1. Drücken Sie wiederholt auf **<MENU>**, bis **02CH** oder **18CH** auf der Anzeige blinkt und das DMX-Licht an ist.
2. Betätigen Sie **<ENTER>**, damit **d001–d495** auf der Anzeige angezeigt wird.
3. Mit den Tasten **<UP>** oder **<DOWN>** wählen Sie die DMX-Startadresse aus.
4. Drücken Sie auf **<ENTER>**, damit das Gerät in den DMX-Modus wechselt. Die Anzeige blinkt weiterhin.



**Die Anzeige blinkt weiterhin, bis das Gerät ein DMX-Signal empfängt.**

## DMX-Kanal – Zuordnungen und Werte

18 Kanal	Kanal	Funktion	Wert	Einstellung
1	1	Auto-Programme	000 ó 015	Verdunkelung
			016 ó 030	Nur Wash
			031 ó 045	Nur Laser
			046 ó 060	Nur Derby
			061 ó 075	Nur Stroboskop
			076 ó 090	Wash, Laser und Derby
			091 ó 105	Wash, Laser und Stroboskop
			106 ó 120	Wash, Derby und Stroboskop
			121 ó 135	Laser, Derby und Stroboskop
			136 ó 150	Wash und Laser
			151 ó 165	Wash und Derby
			166 ó 180	Wash und Stroboskop
			181 ó 195	Laser und Derby
			196 ó 210	Laser und Stroboskop
			211 ó 225	Derby und Stroboskop
226 ó 255	Alle Effekte			
2	2	Geschwindigkeit des Auto-Programms	000 ó 200	Wählt Geschwindigkeit aus (von langsam nach schnell)
		Musiksteuerungs-Modus	201 ó 255	Musiksteuerungs-Modus – alle Effekte
3–10	3–10	Wash-Gruppe 1–8	001 ó 051	Verdunkelung
			052 ó 102	rot
			103 ó 153	grün
			154 ó 204	blau
			205 ó 255	UV
11	11	Wash-Stroboskop	000 ó 255	Blitzfrequenz (von langsam nach schnell)

**18 Kanal**

Kanal	Funktion	Wert	Einstellung
12	Derby	000 ó 009	Verdunkelung
		010 ó 014	rot
		015 ó 019	grün
		020 ó 024	blau
		025 ó 029	bernsteinfarben
		030 ó 034	weiß
		035 ó 039	weiß + rot
		040 ó 044	rot + grün
		045 ó 049	grün + blau
		050 ó 054	blau + bernsteinfarben
		055 ó 059	bernsteinfarben + weiß
		060 ó 064	weiß + grün
		065 ó 069	grün + bernsteinfarben
		070 ó 074	bernsteinfarben + rot
		075 ó 079	rot + blau
		080 ó 084	blau + weiß
		085 ó 089	rot + grün + blau
		090 ó 094	rot + grün + bernsteinfarben
		095 ó 099	rot + grün + weiß
		100 ó 104	rot + bernsteinfarben + blau
		105 ó 109	rot + weiß + blau
		110 ó 114	rot + bernsteinfarben + weiß
		115 ó 119	bernsteinfarben + grün + blau
		120 ó 124	blau + grün + weiß
		125 ó 129	bernsteinfarben + grün + weiß
		130 ó 134	bernsteinfarben + weiß + blau
		135 ó 139	rot + grün + blau + bernsteinfarben
		140 ó 144	rot + grün + blau + weiß
		145 ó 149	grün + blau + bernsteinfarben + weiß
		150 ó 154	rot + grün + bernsteinfarben + weiß
155 ó 159	rot + blau + bernsteinfarben + weiß		
160 ó 164	rot + grün + blau + bernsteinfarben + weiß		
165 ó 209	Automatisch (nur Einzelfarben)		
210 ó 222	Automatisch (zwei Farben gleichzeitig)		
223 ó 255	Automatisch musikgesteuert		

**18 Kanal**

Kanal	Funktion	Wert	Einstellung
13	Derby-Stroboskop	000 ó 004	Keine Funktion
		005 ó 200	Blitzfrequenz (von schnell nach langsam)
		201 ó 255	Musiksteuerungs-Modus
14	Geschwindigkeit des Derby-Effekts	000 ó 004	Anhalten
		005 ó 127	Nach rechts rotieren (von langsam nach schnell)
		128 ó 133	Anhalten
		134 ó 255	Nach links rotieren (von langsam nach schnell)
15	SMD-Stroboskopeffekt	000 ó 009	Verdunkelung
		010 ó 019	Auto-Programm 1 (von schnell nach langsam)
		020 ó 029	Auto-Programm 2 (von schnell nach langsam)
		030 ó 039	Auto-Programm 3 (von schnell nach langsam)
		040 ó 049	Auto-Programm 4 (von schnell nach langsam)
		050 ó 059	Auto-Programm 5 (von schnell nach langsam)
		060 ó 069	Auto-Programm 6 (von schnell nach langsam)
		070 ó 079	Auto-Programme 7 (von schnell nach langsam)
		080 ó 089	Auto-Programme 8 (von schnell nach langsam)
		090 ó 099	Auto-Programme 9 (von schnell nach langsam)
		100 ó 109	Auto-Programme 10 (von schnell nach langsam)
		110 ó 119	Auto-Programme 11 (von schnell nach langsam)
		120 ó 200	Voll eingeschaltet
		201 ó 255	Musiksteuerungs- und Stroboskop-Modus
16	Lasers	000 ó 009	Verdunkelung
		010 ó 049	Rot ein
		050 ó 089	Grün ein
		090 ó 129	Abwechselnder grüner + roter Stroboskopeffekt
		130 ó 169	Rot ein + grüner Stroboskopeffekt
		170 ó 209	Grün ein + roter Stroboskopeffekt
		210 ó 255	Rot ein + grüner Stroboskopeffekt
17	Laser-Stroboskop	000 ó 004	Keine Funktion
		005 ó 254	Strobe (von schnell nach langsam)
		255	Musiksteuerungs- und Stroboskop-Modus
18	Motor LED	000 ó 004	Anhalten
		005 ó 127	Nach rechts rotieren (von langsam nach schnell)
		128 ó 133	Anhalten
		134 ó 255	Nach links rotieren (von langsam nach schnell)

02 Kanal	Kanal	Funktion	Wert	Einstellung
1		Auto-Programme	000 ó 015	Verdunkelung
			016 ó 030	Nur Wash
			031 ó 045	Nur Laser
			046 ó 060	Nur Derby
			061 ó 075	Nur Stroboskop
			076 ó 090	Wash, Laser und Derby
			091 ó 105	Wash, Laser und Stroboskop
			106 ó 120	Wash, Derby und Stroboskop
			121 ó 135	Laser, Derby und Stroboskop
			136 ó 150	Wash und Laser
			151 ó 165	Wash und Derby
			166 ó 180	Wash und Stroboskop
			181 ó 195	Laser und Derby
			196 ó 210	Laser und Stroboskop
211 ó 225	Derby und Stroboskop			
		226 ó 255	Alle Effekte	
2		Geschwindigkeit des Auto-Programms	000 ó 200	Wählt Geschwindigkeit aus (von langsam nach schnell)
		Musiksteuerungs-Modus	201 ó 255	Musiksteuerungs-Modus – alle Effekte



Für einen manuellen Betrieb der LEDs und Laser per DMX-Steuerung muss Kanal 1 auf die entsprechende DMX-Adresse eingestellt sein.

## IRC-6 Infrarot-Fernbedienung

Der Swarm Wash FX ist vollständig kompatibel mit der Infrarot-Fernbedienung IRC-6 von Chauvet. Zum Aktivieren des IR-Modus drücken Sie auf eine beliebige Taste auf der IRC-6.

**Stellen Sie sicher, dass die IRC-6 direkt auf das Gerät gerichtet ist und sich zwischen dem Gerät und der Fernbedienung kein Hindernis befindet.**

### IRC-6 Betrieb



#### Auto-Modus

So betreiben Sie das Gerät im automatischen Programm-Modus:

1. Drücken Sie auf der IRC-6 auf **<AUTO>**.

#### Musiksteuerungs-Modus

So betreiben Sie das Gerät im Musiksteuerungs-Modus:

1. Drücken Sie auf der IRC-6 auf **<SOUND>**.

#### Geschwindigkeitseinstellung

So stellen Sie die Geschwindigkeit des automatischen Programms ein:

1. Betätigen Sie **<SPEED>**.
2. Drücken Sie zum Erhöhen oder Verringern der Programmgeschwindigkeit auf **<+>** oder **<->**.

#### Änderung der Auto- und Musiksteuerungs-Modi mithilfe der Tasten der IRC-6:

Auto- /Musiksteuerungs-Modus
<b>&lt;1&gt;</b> - schaltet den Wash-Effekt ein/aus
<b>&lt;2&gt;</b> - schaltet den Derby-Effekt ein/aus
<b>&lt;3&gt;</b> - schaltet den Laser-Effekt ein/aus
<b>&lt;4&gt;</b> - schaltet den Stroboskopeffekt ein/aus

#### Verdunkelung:

So verdunkeln Sie die Leuchten/Lichteffekte:

Drücken Sie auf der IRC-6 auf **<BLACK OUT>**.

Damit schalten Sie die Leuchten aus, bis diese Taste erneut gedrückt wird.

**HINWEIS:** Die IRC reagiert auf keine Eingabe, solange diese Verdunkelung aktiviert ist. Wenn die Fernbedienung auf das Drücken einer Taste nicht reagiert, drücken Sie auf **<BLACK OUT>**. Sie haben eventuell unabsichtlich auf BLACK OUT gedrückt und damit die Verdunkelung aktiviert.



**Alle anderen Tasten auf der Infrarot-Fernbedienung IRC-6 sind nicht belegt.**

## Konfiguration (Stand-alone)

Zur Steuerung ohne einen DMX-Controller versetzen Sie das Gerät in einen der Stand-alone-Modi.

Schließen Sie das Gerät an eine passende Wandsteckdose an.



**Schließen Sie ein Gerät, das sich im Stand-alone-Modus befindet (entweder Statisch, Automatisch oder Musiksteuerung) an eine mit einem DMX-Controller verbundenen DMX-Leitung an. Geräte im Stand-alone-Modus können DMX-Signale aussenden, die mit den DMX-Signalen des DMX-Controllers interferieren können.**

## Musiksteuerungs- -Modus

Um den Musiksteuerungs-Modus zu aktivieren, gehen Sie wie folgt vor:

1. Betätigen Sie wiederholt **<MENU>**, bis **SND** auf der Anzeige blinkt.
2. **SN1-SN15** blinkt auf der Anzeige und die Musiksteuerungs-Modus-Kontrollleuchte ist an.
3. Mit den Tasten **<UP>** oder **<DOWN>** wählen Sie das gewünschte Musiksteuerungs-Programm aus.
4. Drücken Sie auf **<ENTER>**, damit das Gerät in den ausgewählten Musiksteuerungs-Modus wechselt.
5. Schalten Sie die Musik ein, und drehen Sie solange am Einstellknopf für die Musikempfindlichkeit, bis das Gerät beginnt, auf die Musik zu reagieren.



**Das Gerät reagiert nur auf niedrige Musikfrequenzen (Bass oder Trommeln).**

**Der Laser wird nach 3 Sekunden abgedunkelt, wenn im Musiksteuerungs-Modus kein Geräusch vorhanden ist oder das Geräusch unter der eingestellten Empfindlichkeit liegt.**

## Auto-Modus

Zum Aktivieren des Auto-Modus befolgen Sie die Anweisungen unten:

1. Betätigen Sie wiederholt **<MENU>**, bis **P--** auf der Anzeige blinkt.
2. **P 1-P15** blinkt auf der Anzeige und die Auto-Modus-Kontrollleuchte ist an.
3. Mit den Tasten **<UP>** oder **<DOWN>** wählen Sie den gewünschten Auto-Modus aus.
4. Betätigen Sie **<ENTER>**.



**Geschwindigkeit  
seinstellung** Um die Geschwindigkeit des Auto- oder Musiksteuerungs-Modus zu ändern, befolgen Sie die Anweisungen unten:

1. Betätigen Sie wiederholt **<MENU>**, bis **S--** auf der Anzeige angezeigt wird.
2. Betätigen Sie **<ENTER>**, damit **S.01–S.99** auf der Anzeige angezeigt wird.
3. Mit den Tasten **<UP>** oder **<DOWN>** stellen Sie die Programmgeschwindigkeit ein.
4. Betätigen Sie **<ENTER>**.

**Master/Slave  
Modus** Im Master/Slave-Modus lassen sich mit einem einzigen Swarm Wash FX-Gerät (das Master-Gerät) die Aktionen eines oder mehrerer Swarm Wash FX-Geräte (die Slave-Geräte) ansteuern, ohne einen DMX-Controller verwenden zu müssen. Das Master-Gerät wird so eingerichtet, dass es entweder im Auto-Modus oder Musiksteuerungs-Modus betrieben wird, während die Slave-Geräte so eingerichtet werden, dass sie im Slave-Modus arbeiten. Sobald dies eingestellt ist und alle Geräte verbunden sind, arbeiten die Slave-Geräte im Takt des Master-Geräts.  
Konfigurieren Sie die Geräte wie unten angezeigt.

**Für jedes Slave-Gerät:**

1. Stellen Sie die DMX-Adresse des Geräts auf **d001** ein.



- **Konfigurieren Sie alle Slave-Geräte, bevor Sie das Master-Gerät an die DMX-Serienschaltung anschließen.**
- **Die Anzeige auf den Slave-Geräten blinkt, bis die Slave-Geräte vom Master ein DMX-Signal empfangen.**

**Für das Master-Gerät:**

1. Verbinden Sie den DMX-Ausgang des Master-Geräts mit dem DMX-Eingang des ersten Slave-Geräts.
2. Stellen Sie den Betrieb des Master-Geräts entweder auf Auto- oder Musiksteuerungs-Modus.

- **Das Master-Gerät muss nun als erstes Gerät in der DMX-Serienschaltung festgelegt werden.**



- **Schließen Sie niemals einen DMX-Controller an eine DMX-Serienschaltung an, die für einen Master/Slave-Betrieb konfiguriert ist, da der Controller die Signale des Master-Geräts stören kann.**
- **Schließen Sie nicht mehr als 31 Slave-Geräte an das Master-Gerät an.**

## 5. TECHNISCHE INFORMATIONEN

### Wartung des Geräts

Staubablagerungen reduzieren die Lichtabgabe und können zu Überhitzung führen. Zum Erhalt der optimalen Leistungsfähigkeit sollten Sie das Gerät mindestens zweimal pro Monat reinigen. Allerdings hängt die Häufigkeit der Reinigungen von der Nutzung und den Umgebungsbedingungen ab.

Zum Reinigen des Geräts befolgen Sie die Anweisungen unten:

1. Trennen Sie das Gerät vom Stromnetz.
2. Warten Sie, bis das Gerät auf Raumtemperatur abgekühlt ist.
3. Verwenden Sie einen Staubsauger (oder Druckluft) sowie eine weiche Bürste, um den Staub auf der Oberfläche des Geräts und in den Lüftungsbereichen zu entfernen.
4. Reinigen Sie das Glas der Austrittsöffnung mit einer milden Glasreinigerlösung oder Isopropylalkohol.
5. Geben Sie die Lösung direkt auf ein weiches, faserfreies Baumwolltuch oder Linsenreinigungstuch.
6. Wischen Sie sanft Schmutz oder Ablagerungen in Richtung der Außenkanten der externen Optiken oder Glasoberflächen.
7. Polieren Sie sorgfältig diese Oberflächen, bis alle Schmutzfilme und Fasern verschwunden sind.



**Trocknen Sie die Glasoberflächen immer sorgfältig nach der Reinigung.**

## 6. TECHNISCHE DATEN

Abmessungen und Gewicht	<b>Länge</b>	<b>Breite</b>	<b>Höhe</b>	<b>Gewicht</b>
	13,1 in. (335 mm)	13 in. (332 mm)	9,4 in. (241 mm)	9,2 lb. (4,2 kg)
<b>Hinweis: Abmessungen in Zoll sind auf die nächste Dezimalstelle gerundet.</b>				
Leistungsaufnahme	<b>Eingangsspannung</b>	<b>Bereich</b>	<b>Spannungsauswahl</b>	
	Vorschaltgerät (integriert)	100-240 VAC, 50/60 Hz	autom. Spann.-Erkennung	
	<b>Parameter</b>	<b>120 V / 60 Hz</b>	<b>230 V / 50 Hz</b>	
	Stromverbrauch	40 W	38 W	
	Betriebsstromstärke	0,5 A	0,3 A	
	Stromstärke für Serienschaltung (Geräte)	8 A (15 Geräte)	8 A (26 Geräte)	
	Sicherung	T 1.6 A, 250 V	T 1.6 A, 250 V	
	<b>I/O-Eingangsbuchse</b>	<b>USA/weltweit</b>	<b>GB/Europa</b>	
	Stromeingangsbuchse	IEC	IEC	
	Stromausgangsbuchse	Edison	IEC	
Netzkabelstecker	Edison (USA)	Lokaler Stecker		
<b>Leuchtquelle</b>				
<b>Laser</b>	<b>Typ</b>	<b>Leistungsaufnahme</b>	<b>Wellenlänge:</b>	
	Laser (grün)	30 mW	532 nm	
	Laser (rot)	100 mW	650 nm	
<b>Wash-LED</b>	<b>Typ</b>	<b>Leistungsaufnahme</b>	<b>Betriebsdauer</b>	
	LED	1,5 W	50.000 Stunden	
	<b>Farbe</b>	<b>Menge</b>	<b>Strom</b>	
	Vierfarbig, RGB+UV	8	600 mA	
<b>Swarm-LED</b>	<b>Typ</b>	<b>Leistungsaufnahme</b>	<b>Betriebsdauer</b>	
	LED	3 W	50.000 Stunden	
	<b>Farbe</b>	<b>Menge</b>	<b>Strom</b>	
	rot	1	500 mA	
	grün	1	500 mA	
	blau	1	500 mA	
	bernsteinfarben	1	500 mA	
weiß	1	500 mA		
<b>Stroboskopeffekt</b>	<b>Typ</b>	<b>Leistungsaufnahme</b>	<b>Betriebsdauer</b>	
	LED	1 W	50.000 Stunden	
	<b>Farbe</b>	<b>Menge</b>	<b>Strom</b>	
	weiß	12	300 mA	
<b>Photometrik</b>	<b>Parameter</b>			
	Abdeckungswinkel (Laser)	82°		
	Abdeckungswinkel (Swarm)	65°		
	Abdeckungswinkel (SMD Strobe)	71°		
	Abdeckungswinkel (Wash)	46°		
	Blitzfrequenz (Stroboskop)	0-20 Hz		
Beleuchtungsstärke bei 2 m (Strobe)	823 Lux			
<b>Wärmeentwicklung</b>	<b>Max. externe Temp. für das Laser-Gerät</b>	<b>Kühlsystem</b>		
	95 °F/35 °C	Konvektion		
<b>DMX</b>	<b>I/O-Buchsen</b>	<b>Anschlusstyp</b>	<b>Kanalbereich</b>	
	3-polig XLR	Steckdosen	18 oder 2	
<b>Bestellung</b>	<b>Produktbezeichnung</b>	<b>Artikelcode</b>	<b>UPC-Code</b>	
	Swarm Wash FX	10051155	781462215033	



## REKLAMATIONEN

Wenn Sie Unterstützung benötigen oder ein Gerät zurückgeben möchten:

- Wenn Sie Ihren Wohnsitz in den USA haben, wenden sich an Chauvet World Headquarters. (Siehe [Kontakt](#))
- Wenn Sie Ihren Wohnsitz in GB oder Irland haben, wenden Sie sich an Chauvet Europe Ltd. (Siehe [Kontakt](#))
- Wenn Sie Ihren Wohnsitz in Mexiko haben, wenden Sie sich an Chauvet Mexiko. (Siehe [Kontakt](#))
- Wenn Sie Ihren Wohnsitz in Benelux haben, wenden Sie sich an Chauvet Europe BVBA. (Siehe [Kontakt](#))
- Wenn Sie in einem anderen Land leben, wenden Sie sich NICHT an Chauvet. Wenden Sie sich stattdessen an Ihren lokalen Lieferanten. Unter [www.chauvetlighting.com](http://www.chauvetlighting.com) finden Sie die Lieferanten außerhalb der USA, GB, Irlands, Mexikos und Benelux.



**Kunden außerhalb der USA, GB, Irland, Mexiko, oder Benelux wenden sich an den aufgeführten Lieferanten und befolgen die Anweisungen zum Zurücksenden der Geräte von Chauvet. Um zu den Kontaktdaten zu gelangen, besuchen Sie bitte unsere Website unter [www.chauvetlighting.com](http://www.chauvetlighting.com).**

Nehmen Sie telefonisch Kontakt mit dem Technischen Support von Chauvet auf, und fordern Sie vor dem Verschicken eine Warenrücksendegenehmigungsnummer (RMA) an. Seien Sie darauf vorbereitet, die Modellnummer, Seriennummer und eine kurze Beschreibung des Grundes für das Zurückschicken angeben zu können.

Senden Sie die Ware frei, in der Originalverpackung und mit den originalen Zubehörteilen zurück. Chauvet lässt keine Retouren abholen.

Schreiben Sie die RMA gut leserlich auf die Verpackung. Chauvet weist alle Waren zurück, die keine RMA besitzen.



**Schreiben Sie die RMA auf ein ordnungsgemäß angebrachtes Hinweisschild. Die RMA NICHT DIREKT auf den Karton schreiben.**

Bevor Sie die Ware versenden, schreiben Sie klar und deutlich folgende Informationen auf einen Bogen Papier und legen ihn in die Verpackung.

- Ihr Name
- Ihre Adresse
- Ihre Telefonnummer
- RMA-Nummer
- Eine kurze Problembeschreibung

Achten Sie auf eine sachgemäße Verpackung der Ware. Schäden, die durch unsachgemäßes Verpacken entstanden sind, liegen in Ihrer Verantwortung. Eine FedEx-Verpackung oder doppelte Verpackung wird empfohlen.



**Chauvet behält sich das Recht vor, nach eigenem Ermessen über Reparatur oder Ersatz der Ware zu befinden.**

# 1. VOORDAT U BEGINT

## Wat is er inbegrepen

- Swarm Wash FX
- Extern stroomsnoer
- Garantiekaart
- Gebruikershandleiding

## Uitpakinstructies

Pak het product direct voorzichtig uit en controleer de doos om te controleren of alle onderdelen in de verpakking zitten en in goede conditie zijn.

## Claims




Als de doos of de inhoud (het product en meegeleverde accessoires) beschadigd zijn door de verzending of tekenen van ruwe behandeling vertonen, laat dit dan onmiddellijk weten aan de vervoerder en niet aan Chauvet. Als u dit niet tijdig doet, kan uw claim bij de vervoerder verlopen. Daarnaast moet u de verpakking en al het verpakkingsmateriaal bewaren voor inspectie.

Voor andere problemen, zoals missende componenten of onderdelen, schade die niet is veroorzaakt door de verzending, kunt u binnen 7 dagen na ontvangst een claim indienen bij Chauvet.

## Conventies van deze handleiding

Conventie	Betekenis
1–512	Een reeks waarden
50/60	Een set waarden waarvan er slechts één gekozen kan worden
Settings	Een menuoptie die niet gewijzigd kan worden
Menu > Settings	Een reeks menuopties die gevolgd moet worden
<ENTER>	Een toets die op het bedieningspaneel van het product moet worden ingedrukt

## Symbolen

Symbol	Betekenis
	Kritieke installatie-, configuratie- of bedieningsinformatie. Het negeren van deze informatie kan ervoor zorgen dat het product niet werkt, beschadigd raakt of leidt tot letsel van de gebruiker.
	Belangrijke installatie- of configuratie-informatie. Als deze informatie niet wordt gebruikt kan het product niet correct functioneren.
	Nuttige informatie.

## Disclaimer

Chauvet gelooft dat de informatie in deze handleiding in alle aspecten accuraat is. Chauvet aanvaardt echter geen verantwoordelijkheid en wijst alle aansprakelijkheid af jegens enige partij voor enig verlies, schade of storingen die worden veroorzaakt door fouten of omissies in dit document, ongeacht of dergelijke fouten of omissies het gevolg zijn van nalatigheid, een ongeval of enige andere oorzaak. Chauvet behoudt zich het recht voor om de inhoud van dit document te wijzigen zonder enige verplichting om enig persoon of bedrijf van een dergelijke herziening te op de hoogte te stellen. Chauvet is echter niet verplicht dergelijke herzieningen te maken. Download de nieuwste versie van [www.chauvetlighting.com](http://www.chauvetlighting.com).

De auteursrechtelijk beschermde werken in deze handleiding, waaronder, maar niet beperkt tot, alle ontwerpen, teksten en afbeeldingen, zijn eigendom van Chauvet.

© Copyright 2016 Chauvet & Sons, LLC. Alle rechten voorbehouden.

Elektronisch uitgegeven door Chauvet in de Verenigde Staten van Amerika.

CHAUVET, het Chauvet-logo en "*Swarm Wash FX*" zijn geregistreerde handelsmerken van Chauvet & Sons, LLC (d/b/a Chauvet en Chauvet Lighting) in de Verenigde Staten en andere landen. Hierin genoemde andere bedrijfs- en productnamen en logo's kunnen handelsmerken zijn van hun betreffende bedrijven.

## Veiligheidsvoorschriften

De Veiligheidsvoorschriften bevatten belangrijke veiligheidsinformatie met betrekking tot het lasersysteem. Zorg dat u alle instructies hebt gelezen en begrepen voordat u de laser voor de eerste keer inschakelt. Het kennen van deze veiligheidsinstructies is cruciaal voor het vermijden van oogletsel door de laser en het overtreden van de wet. Bewaar deze gebruikershandleiding voor toekomstige naslag op een veilige plek.

### STOP EN LEES EERST ALLE VEILIGHEIDSGEGEVENS MET BETREKKING TOT DE LASER



- Lasers kunnen gevaarlijk zijn en hebben unieke veiligheidsvoorschriften. Als lasers onjuist worden gebruikt kan dit leiden tot permanent oogletsel en blindheid. Let goed op elke veiligheidsKENMERK en elke WAARSCHUWING in deze gebruikershandleiding. Lees VOORDAT u het apparaat gebruik zorgvuldig alle instructies.
- Sluit het product altijd aan op een geaard circuit om elektrocutierisico's uit te sluiten.
- Ontkoppel het product vóór het schoonmaken altijd eerst van de voedingsbron.
- Vermijd directe blootstelling van het oog aan de lichtbron als het product in werking is.
- Zorg ervoor dat het stroomsnoer niet knikt of beschadigd.
- Koppel het product nooit los van het stopcontact door aan het snoer te trekken of te rukken.
- Als het product boven het hoofd wordt geplaatst, moet u het altijd met een veiligheidskabel vastmaken aan een bevestigingsmiddel.
- Controleer dat er tijdens gebruik geen ontvlambare materialen dichtbij het product staan.
- Raak de behuizing van het product tijdens gebruik niet aan, omdat het zeer warm kan worden.



- Dit product is niet bedoeld voor permanente installatie.
- Controleer altijd of de spanning van het stopcontact waar u het product op aansluit binnen het bereik is dat staat vermeld op de sticker of het achterpaneel van het product.
- Het product is alleen geschikt voor gebruik binnenshuis! (IP20) Om het risico op brand en schokken te vermijden mag u het product niet blootstellen aan regen of vocht.
- Installeer het product op een locatie met voldoende ventilatie, op ten minste 50 cm afstand van aangrenzende oppervlakken.
- Zorg ervoor dat de ventilatiesleuven op de behuizing van het product nooit geblokkeerd worden.
- Sluit het product nooit aan op een dimmer.
- Gebruik altijd de bevestigingsbeugel om het product te dragen.
- Schakel het product niet kort na elkaar aan/uit. Dit verlaagt de levensduur van de laserdiode.
- Schud het product niet door elkaar. Vermijd brute kracht bij het monteren of gebruiken van dit product.
- Gebruik ALTIJD een veiligheidskabel bij het boven het hoofd plaatsen van het product.
- De omgevingstemperatuur bedrijfstemperatuur voor de laser 59 °F tot 95 °F (15 °C tot 35 °C). Gebruik dit product niet buiten dit bereik.
- Stop direct met het gebruik van het product in geval van ernstige gebruiksproblemen.
- Repareer het product nooit zelf. Reparaties die worden uitgevoerd door onopgeleide personen kunnen leiden tot schade of storingen. Neem contact op met het dichtstbijzijnde bevoegde technische hulpcentrum.
- Sluit om onnodige slijtage te verhinderen en de levensduur te verlengen tijdens periodes van niet-gebruik het product via stroomonderbreker of de stekker volledig van stroom af.



- Vermijd direct oogcontact met het laserlicht. Nooit uw ogen of die van anderen opzettelijk blootstellen aan direct laserlicht.
- Dit laserproduct kan mogelijk direct oogletsel of blindheid veroorzaken als het laserlicht direct op de ogen valt.
- Het is illegaal en gevaarlijk om deze laser direct in publieksgebieden te schijnen, waar het publiek of ander personeel directe laserstralen of heldere reflecties in hun ogen kunnen krijgen.
- In de VS is het een misdrijf om een laser op een vliegtuig te richten.
- Het gebruik van bedieningselementen, wijzigingen of procedures anders dan die zijn gespecificeerd in deze gebruikershandleiding, kan leiden tot blootstelling aan gevaarlijke straling.
- **Probeer het product NOOIT zelf te repareren. Reparaties en onderhoud moeten worden uitgevoerd door een bevoegd monteur. Onbevoegde aanpassingen aan het product zijn om veiligheidsredenen verboden!**



- **Bewaar deze gebruikershandleiding voor toekomstige naslag. Wanneer het product eigendom wordt van een andere gebruiker, moet dit document bij de laser worden bewaard.**

### **Niet-bevestigde waarschuwing op de behuizing**

- Dit apparaat bevat intern laserapparaten met hoog vermogen.
- Maak de laserbehuizing niet open, door mogelijke blootstelling aan onveilige laserstralingsniveaus.
- Het vermogen van de laser, dat toegankelijk is als het apparaat is geopend, kan directe blindheid, brandwonden en branden veroorzaken.

### **Veiligheids- voorschriften voor de laser**

#### **STOP EN LEES EERST ALLE VEILIGHEIDSVOORSCHRIFTEN MET BETREKKING TOT DE LASER HIERONDER**

Laserlicht verschilt van elk ander licht. Laserlicht kan oogletsel veroorzaken als het product niet goed is ingesteld en niet goed wordt gebruikt. Laserlicht is duizend maal geconcentreerder dan elk ander soort licht. Deze concentratie kan door het verbranden van het netvlies direct oogletsel veroorzaken (het lichtgevoelige deel aan de achterzijde van het oog). De warmte van laserlicht is niet voelbaar, maar het is voldoende om gebruikers van het product en het publiek te verwonden of te verblinden. Zelfs zeer kleine hoeveelheden laserlicht kunnen op grote afstand nog gevaarlijk zijn.

Neem **NOOIT** aan dat blootstelling aan een individueel laserlicht veilig is, zelfs niet een kleine straal die is afgesplitst van een grotere straal. Dit laserproduct gebruikt tientallen milliwatt aan laser vermogen —Klasse 3B-niveaus intern—en verdeelt ze in eerdere stralen—Klasse 3R-niveaus. De individuele bundels van Klasse 3R-niveau zijn mogelijk gevaarlijk voor de ogen.

Neem **NOOIT** aan dat bewegend laserlicht veilig is. Laserlicht is nooit zonder risico. Aangezien er op elk moment oogletsel kan ontstaan, is het van kritiek belang om de kans op ELKE directe blootstelling van het oog te vermijden. In overeenstemming met veiligheidsvoorschriften voor lasers, is het niet legaal om lasers van Klasse 3R te richten op gebieden waar mensen blootgesteld kunnen worden, zelfs als de laser onder het gezicht van mensen is gericht, zoals op een dansvloer.

- Gebruik de laser niet zonder eerst alle veiligheidsinformatie en technische gegevens in deze handleiding gelezen en begrepen te hebben.
- Alle lasereffecten moeten ALTIJD worden opgesteld en geplaatst zodat het laserlicht ten minste 3 meter boven de vloer is waar mensen op staan. Zie de paragraaf [Correct gebruik](#) van deze handleiding.
- Na instelling, en voor openbaar gebruik, moeten de lasers getest worden om te controleren of ze goed functioneren. Dit product niet gebruiken als er een storing is gedetecteerd.
- De laser NIET gebruiken als het slechts een of twee bundels emitteert, in plaats van tientallen/honderden, aangezien dit aangeeft dat er schade is aan het optische element van het diffractierooster en emissie van laserniveaus hoger dan Klasse 3R mogelijk maakt.
- Richt lasers NOOIT op mens of dier.
- Kijk NOOIT direct in de laseropening of laserstraal.
- Richt lasers NOOIT op gebieden waar mensen er aan kunnen worden blootgesteld.
- Richt lasers NOOIT op sterk reflecterende oppervlakken, zoals ramen, spiegels en glimmend metaal. Zelfs laserreflecties kunnen gevaarlijk zijn.
- Richt een laser nooit op een vliegtuig; dat is een misdrijf.
- Richt nooit oneindige laserstralen op de open lucht.
- Stel de optische uitgangselementen (opening) niet bloot aan agressieve chemische schoonmaakmiddelen.
- De laser niet gebruiken als de behuizing is beschadigd, open is, of als de optische onderdelen op wat voor wijze dan ook beschadigd lijken.
- De behuizing van de laser nooit openen. Het hoge vermogen van de laser binnen de beschermende behuizing kan brand veroorzaken of de huid verbranden en zal leiden tot direct oogletsel.
- Laat dit product nooit onbemand draaien.
- Het gebruik van een lasershow van Klasse 3R is alleen toegestaan als de lasers worden gebruikt door een geschoolde en goed getrainde professional die bekend is met de gegevens die zijn opgenomen in deze handleiding.
- De wettelijke vereisten voor het gebruik van laserproducten voor amusement verschillen van land tot land. De gebruiker is zelf verantwoordelijk voor de wettelijke vereisten in de locatie/het land van gebruik.

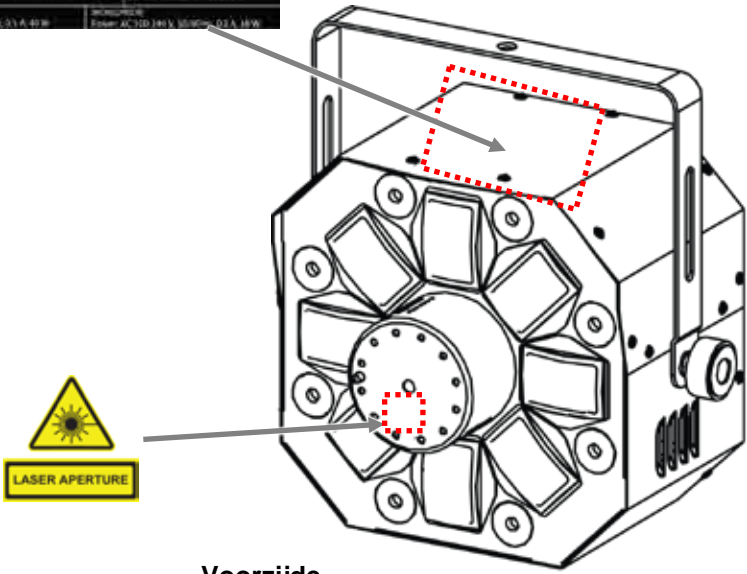


**LET OP! Gebruik dit apparaat niet op een andere wijze dan is vermeld in deze gebruikershandleiding. Het niet volgen van de instructies zal de garantie doen vervallen, kan het product beschadigen of de gebruiker of het publiek verwonden.**

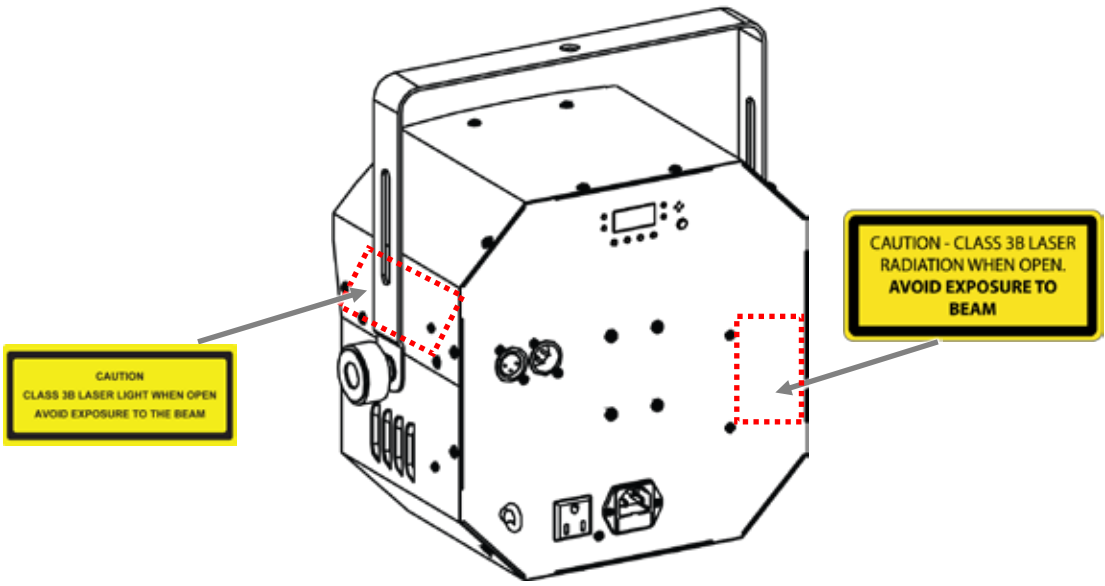
**LET OP! Dit product mag niet worden afgevoerd met het huishoudelijk afval. Neem contact op met uw plaatselijke afvalbeheerdienst voor regelgeving met betrekking tot elektronisch afval in uw gebied.**



# Reproductie van veiligheidsetiket voor de laser



Voorzijde



Onderzijde

**Blootstellingswaarschuwing van de laser**



**VERMIJD DIRECTE BLOOTSTELLING AAN LASERLICHT**

Verdere richtlijnen en veiligheidsprogramma's voor het veilige gebruik van lasers zijn te vinden in de ANSI Z136.1 Standaard "voor het veilige gebruik van lasers", beschikbaar bij het Laser Institute of America: [www.laserinstitute.org](http://www.laserinstitute.org). Vele plaatselijke overheden, bedrijven, agentschappen, legers en andere instanties vereisen allemaal dat lasers worden gebruikt onder de richtlijnen van ANSI Z136.1. De richtlijn voor laservertoning kan worden verkregen via de International Laser Display Association: [www.laserist.org](http://www.laserist.org).

**Emissiegegevens van de laser**

Zoals gemeten onder IEC-meetomstandigheden voor classificatie.

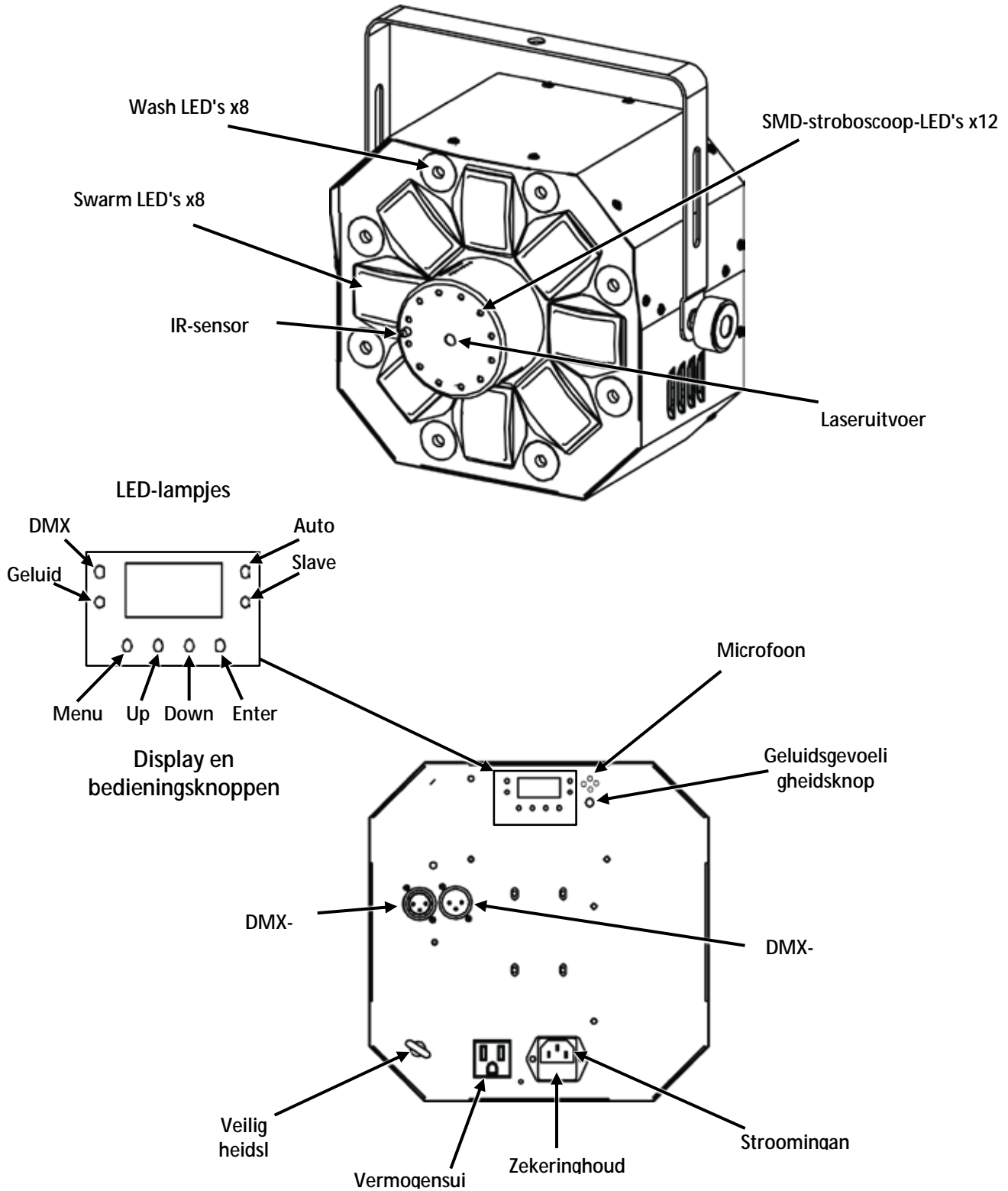
<b>Laserclassificatie</b>	Klasse 3R
<b>Groene lasermedium</b>	DPSS Nd:YVO4, 532 nm/30 mW
<b>Rode lasermedium</b>	LD GaAlAs, 650 nm/100 mW
<b>Diameter van de straal</b>	<5 mm bij de opening
<b>Pulsgegevens</b>	Alle pulsen < 4 Hz (>0.25 sec)
<b>Divergentie (elke straal)</b>	<2 mrad
<b>Divergentie (totale licht)</b>	<160 graden
<b>Laservermogen van elke straal vanaf de opening*</b>	<5 mW

**Nalevingsverklaring van de laser**

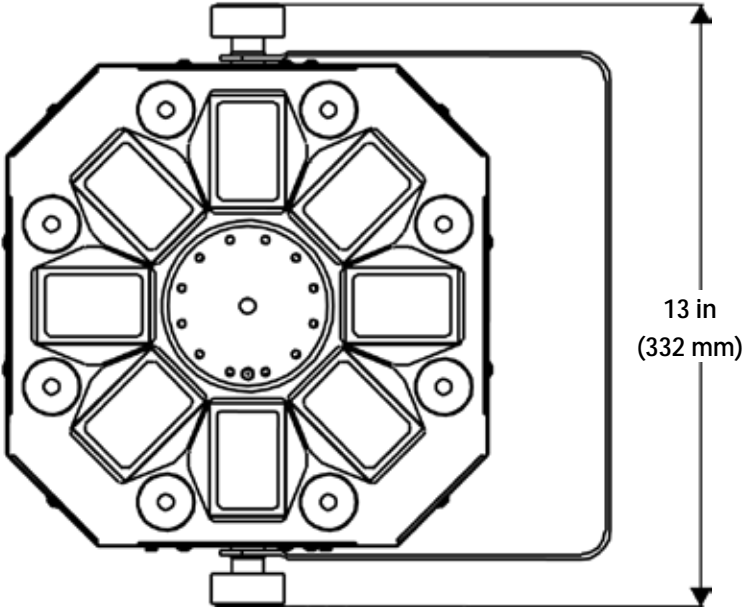
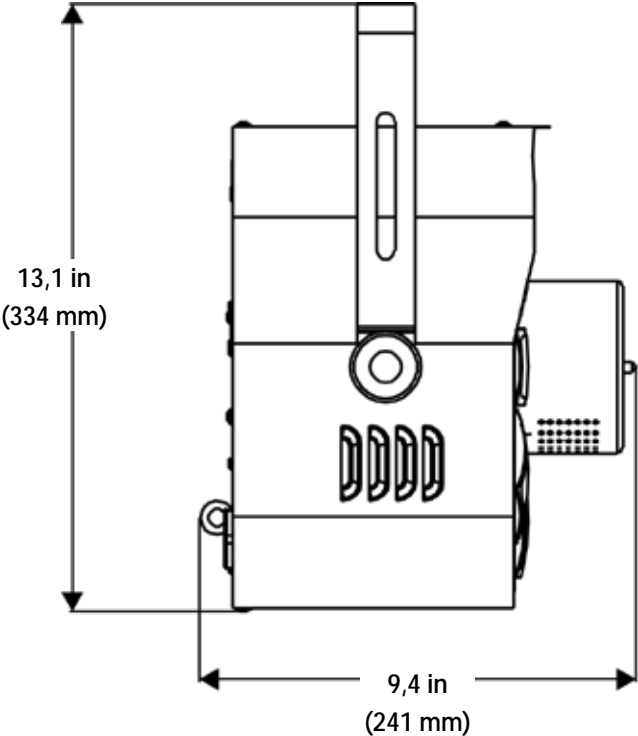
Dit laserproduct voldoet aan EN/IEC 60825-1 Ed 2, 2007-03, en U.S. FDA/CDRH FLPPS via de voorwaarden van Laser Notice nr. 50 gedateerd op 24 juni 2007. Dit laserapparaat is geclassificeerd als 3R. (Klasse 3R is het internationale equivalent is van U.S. Class IIIa.) Er is geen onderhoud nodig om dit product in overeenstemming te houden van de laserprestatienormen.

# 2. INLEIDING

## Overzicht



# Afmetingen



## 3. INSTELLING

**AC-stroom** De Swarm Wash FX heeft een voeding met automatisch bereik, die kan werken met een ingangsspanning van 100 tot 240 VAC, 50/60 Hz.

Om de vermogensvereisten te bepalen van het product (aardlekschakelaar, stopcontact en bedrading), moet de huidige waarde worden gebruikt die staat vermeld op het etiket dat is bevestigd aan het achterpaneel van het product of moet [Technische Specificaties](#) in deze handleiding geraadpleegd worden. Het gemelde spanningsvermogen geeft het gemiddelde stroomverbruik aan onder normale omstandigheden.



- **Sluit het product altijd aan op een beschermd circuit (aardlekschakelaar of zekering). Zorg ervoor dat het product voldoende elektrisch is geaard om het risico op elektrocutie of brand te vermijden.**
- **Sluit om onnodige slijtage te verhinderen en de levensduur te verlengen tijdens periodes van niet-gebruik het product via stroomonderbreker of de stekker volledig van stroom af.**



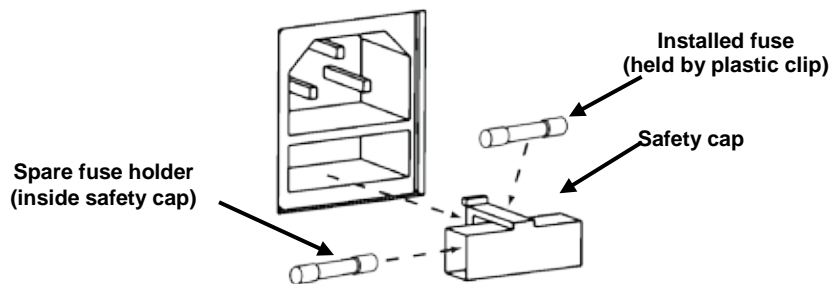
**Sluit het product nooit aan op een rheostat (variabele weerstand) of dimmercircuit, zelfs als het rheostat- of dimmerkanaal alleen dient als een 0 tot 100%-schakelaar dient.**

### Vervangen van de zekering

1. Ontkoppel het apparaat van de stroom.
2. Wig de punt van een platte schroevendraaier in de sleuf van de zekeringhouder.
3. Druk de zekeringhouder uit de behuizing.
4. Haal de doorgebrande zekering uit de houder.
5. Vervangen met een zekering van hetzelfde type en met dezelfde waarde.
6. Plaats de zekeringhouder terug en steek de stekker er weer in.



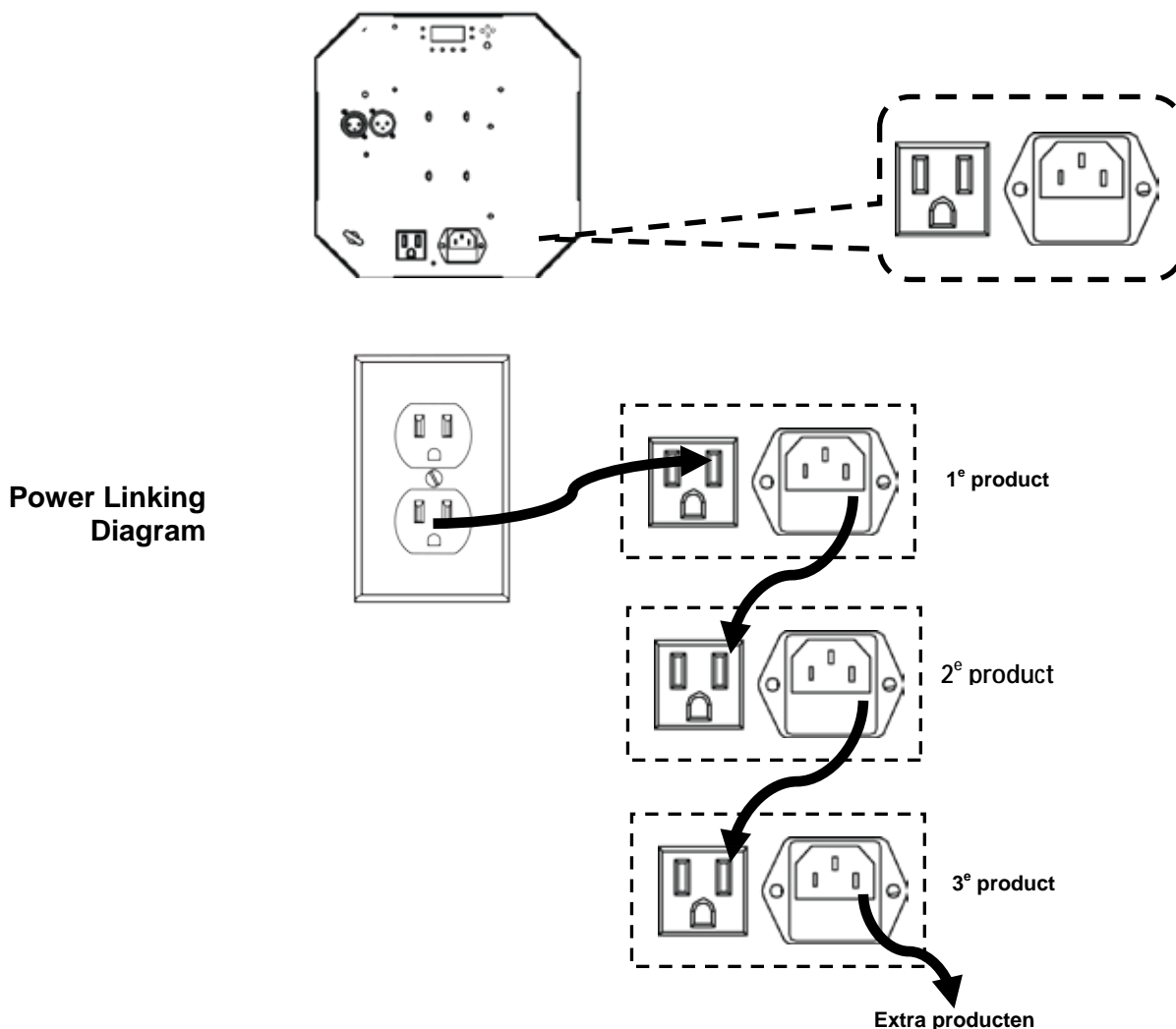
**Ontkoppel het product van de stroom uit voordat u de zekering vervangt.**



**Power Linking** Power linking houdt in dat producten in serie aan elkaar gekoppeld zijn via hun stroomingangs- en stroomuitgangsstekkers, zodat meerdere producten vanuit één stopcontact kunnen worden gevoed.

Bij 120 V kunnen tot 15 Swarm Wash FX-producten gekoppeld worden met power link, en bij 230 V kunnen tot 26 Swarm Wash 5 FX-producten met power link gekoppeld worden.

Het onderstaande diagram illustreert het power linking-proces.



**Power Linking Diagram**

**i** Koppel op 120 V niet meer dan 15 Swarm Wash FX-producten met power link.  
Koppel op 230 V niet meer dan 26 Swarm Wash FX-producten met power link.

Het bovenstaande power linking-diagram toont alleen de Noord-Amerikaanse versie van het product!



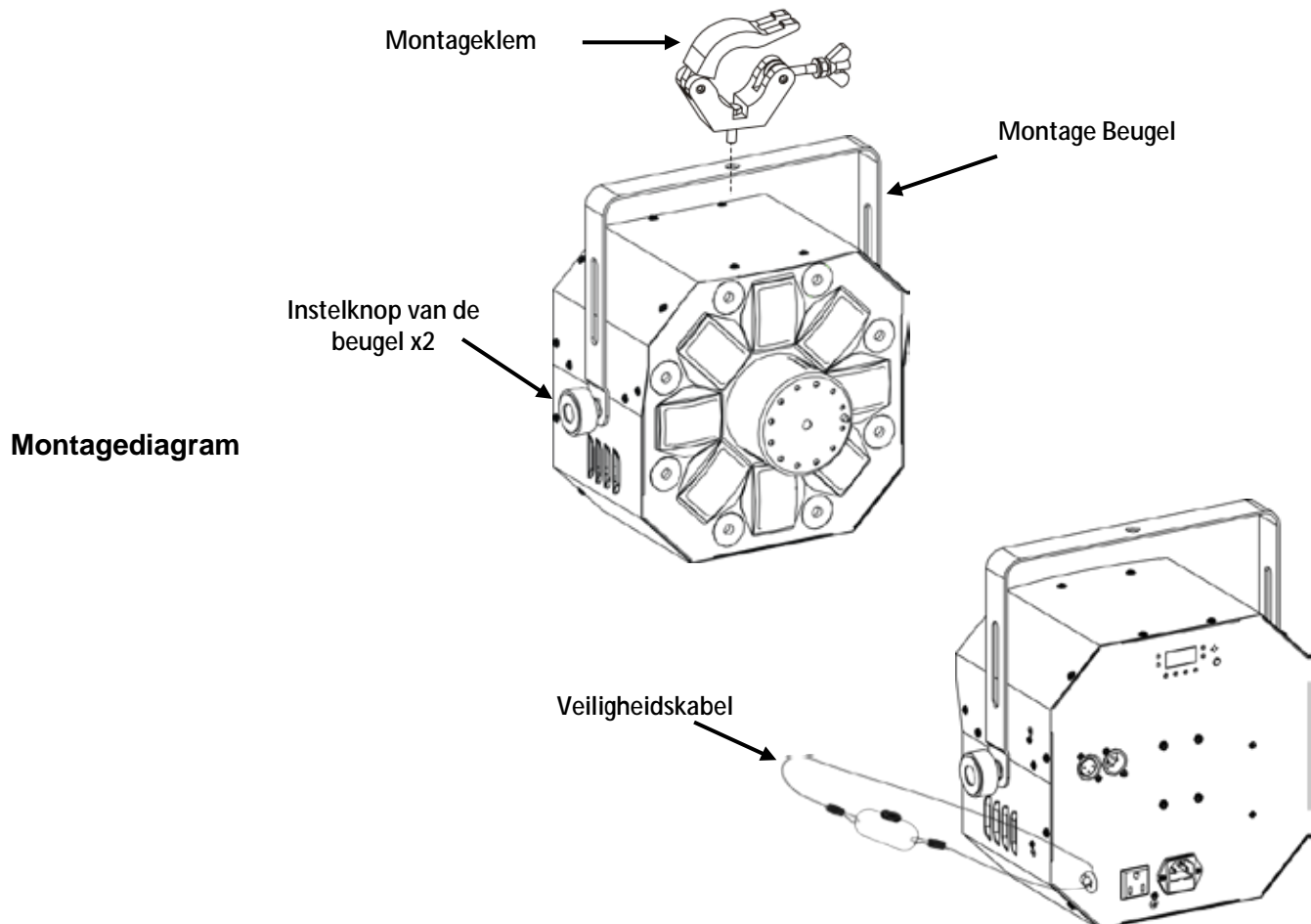
Power linking-stekkers en vereisten verschillen van land tot land, en van gebied tot gebied.

Als u het product buiten Noord-Amerika gebruikt, raadpleeg dan de plaatselijke Chauvet-distributeur.

**Montage** Vóór montage van het product moet u de veiligheidsaanbevelingen lezen en volgen die zijn aangegeven in de [Veiligheidsvoorschriften](#). Gebruik ten minste één montagepunt per product. Controleer of de montageklem (zoals **CLP-15** van Chauvet) het gewicht van het product kan dragen. Ga voor onze Chauvet serie montageklemmen naar [www.chauvetlighting.com/cables-clamps-main.html](http://www.chauvetlighting.com/cables-clamps-main.html).

**Oriëntatie** De Swarm Wash FX-producten moeten worden gemonteerd in een positie volgens de planning voor veilig lasergebruik. Daarnaast moet er in voldoende ventilatie rond het product zijn voorzien.

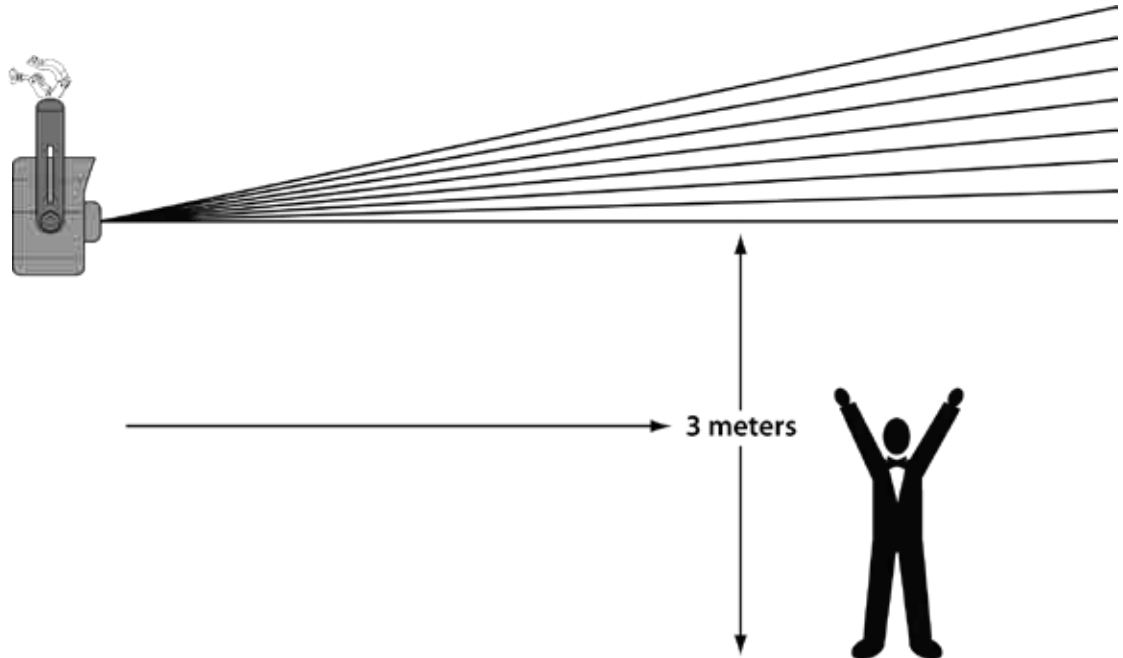
- Opbouw**
- Vóór het nemen van een besluit over de locatie van het product, moet u er altijd voor zorgen dat er eenvoudige toegang is tot het product, voor onderhoud en programmering.
  - Controleer of de constructie of het oppervlak waar u het product op monteert het gewicht van het product kan dragen (zie [technische specificaties](#)).
  - Gebruik altijd een veiligheidskabel wanneer het product boven lichaamshoogte wordt gemonteerd (zoals **CH-05** van Chauvet). Monteer het product stevig aan een bevestigingspunt, zoals een verhoogd platform of een spant.
  - Bij het opbouwen van het product op een spant, moet u een montageklem gebruiken met voldoende draagvermogen. De beugel heeft een gat van 13 mm, die geschikt is voor dit doeleinde.
  - De verstelknoppen van de beugel zorgen voor directionele verstelling bij het richten van het product naar de gewenste hoek. Maak de beugelknoppen alleen met de hand los of vast. Het gebruik van gereedschap kan de knoppen beschadigen.



## Correct gebruik

Dit product is alleen geschikt voor gebruik boven lichaamshoogte. Voor veiligheidsdoeleinden raadt Chauvet aan om lichteffectproducten te bevestigen aan stabiele verhoogde platformen of stevige overhangende steunen, met geschikte hangklemmen. Gebruik in alle gevallen veiligheidskabels. Haal geschikte bevestigingsapparatuur bij uw verlichtingsleverancier.

Internationale regelgeving omtrent veiligheid rond lasers, vereist dat laserproducten moeten worden bediend op de wijze die hieronder is geïllustreerd, met minimaal 3 meter verticale scheiding tussen de vloer en het laagste laserlicht. Daarnaast is 3 meter horizontale scheiding vereist tussen laserlicht en het publiek of ruimtes met publiek.



**LET OP!** Het gebruik van bedieningselementen, wijzigingen of procedures anders dan DIE zijn gespecificeerd IN DEZE GEBRUIKERSHANDLEIDING, kan leiden tot blootstelling aan gevaarlijke straling.



## 4. WERKING

Dit product is niet ontworpen voor onafgebroken gebruik. Zorg dat er regelmatige pauzes zijn tijdens het gebruik, om de levensduur van uw laser te maximaliseren. Ontkoppel de Swarm Wash FX altijd van de stroom als het niet in gebruik is.

**Werking van het bedieningspaneel** Voor toegang tot de functies van het bedieningspaneel gebruikt u de vier knoppen onder het display. Als het product aan staat, toont de LED-monitor op het achterpaneel de huidige bedieningsmodus (alleenstaand of DMX). Het product behoudt de laatst opgeslagen instellingen als het wordt afgesloten.

Toets	Functie
<MENU>	Selecteert een bedieningsmodus of verlaat de huidige menu-optie
<UP>	Bladert omhoog in de optielijst of selecteert een hogere waarde
<DOWN>	Bladert omlaag in de optielijst of selecteert een lagere waarde
<ENTER>	Activeert een menu-optie of een geselecteerde waarde

### Menumap

Modus	Programmeerstappen		Beschrijving
DMX	2-CH	d001–d511	Stelt DMX-adres en persoonlijkheid in
	18CH	d001–d495	
Auto	P--	P 1-15	Selecteert automatisch programmaeffect en snelheid (langzaam tot snel)
Snelheid	S--	S.01–S.99	Snelheid voor geluidsmodus en automatische programma's
Geluid	SND	SN 1-15	Selecteert programmaeffecten geluidsactieve modus
IR-functie	SET	ON	Aan/uit IR-functies
		OFF	

### Auto- en geluidsmodi gedefinieerd

Programma	Effect
1	Alle effecten- derby, laser, stroboscopen en wash
2	Alleen wash
3	Alleen laser
4	Alleen derby
5	Alleen stroboscopen
6	Wash, laser en derby
7	Wash, laser en stroboscopen
8	Wash, derby en stroboscopen
9	Laser, Derby en stroboscopen
10	Wash en laser
11	Wash en derby
12	Wash en stroboscopen
13	Wash en derby
14	Laser en stroboscopen
15	Derby en stroboscopen

## Configuratie (DMX)

Plaats het product in DMX-modus om te bedienen met een DMX-regelaar. Het product gebruikt een 3-pins DMX-kabel.

7. Sluit het product aan op een geschikt stopcontact.
8. Sluit een DMX-kabel aan vanaf de DMX-uitgang van de DMX-regelaar op de DMX-ingangshouder op het product.

## Startadres

Bij het selecteren van een DMX-startadres, moet u altijd denken aan het aantal DMX-kanalen die de armatuur gebruikt. Als u een startadres gebruikt dat te hoog is, kunt u toegang aan enkele productkanalen beperken.

De Swarm Wash FX gebruikt 2 DMX-kanalen, wat betekent dat het hoogste DMX-adres dat u kunt gebruiken in 18-kanaalsmodus **495** is.

Als u niet bekend bent met het DMX-protocol, download dat de DMX-primer van <http://www.chauvetlighting.com>.

Om het DMX-startadres te selecteren doet u het volgende:

9. Druk herhaaldelijk op **<MENU>** totdat **02CH of 18CH** knippert op het display en het DMX-lampje gaat branden.
10. Druk op **<ENTER>** en **d001–d495** wordt op het display weergegeven.
11. Gebruik **<UP>** of **<DOWN>** om het startadres te selecteren.
12. Met een druk op **<ENTER>** zal de armatuur in DMX-modus gaan. Het display zal blijven knipperen.



**Het display blijft knipperen totdat de armatuur een DMX-signaal ontvangt.**

## DMX-kanaaltoewijzingen en waarden

18 kanaal	Kanaal	Functie	Waarde	Instelling
1		<b>Automatische programma's</b>	000 ó 015	Blackout
			016 ó 030	Alleen wash
			031 ó 045	Alleen lasers
			046 ó 060	Alleen derby
			061 ó 075	Alleen stroboscopen
			076 ó 090	Wash, laser en derby
			091 ó 105	Wash, laser en stroboscopen
			106 ó 120	Wash, derby en stroboscopen
			121 ó 135	Laser, Derby en stroboscopen
			136 ó 150	Wash en laser
			151 ó 165	Wash en derby
			166 ó 180	Wash en stroboscopen
			181 ó 195	Wash en derby
			196 ó 210	Laser en stroboscopen
			211 ó 225	Derby en stroboscopen
226 ó 255	Alle effecten			
2		<b>Automatische programmasnelheid</b>	000 ó 200	Selecteert snelheid, (langzaam tot snel)
		<b>Geluidsactieve modus</b>	201 ó 255	Geluidsactieve modus - alle effecten
3-10		<b>Wash-groep 1-8</b>	001 ó 051	Blackout
			052 ó 102	Rood
			103 ó 153	Groen
			154 ó 204	Blauw
			205 ó 255	UV
11		<b>Wash-stroboscoop</b>	000 ó 255	Stroboscoopsnelheid (langzaam tot snel)

## 18 kanaal

Kanaal	Functie	Waarde	Instelling
12	Derby	000 ó 009	Blackout
		010 ó 014	Rood
		015 ó 019	Groen
		020 ó 024	Blauw
		025 ó 029	Amber
		030 ó 034	Wit
		035 ó 039	Wit + rood
		040 ó 044	Rood + groen
		045 ó 049	Groen + blauw
		050 ó 054	Blauw + geel
		055 ó 059	Geel + wit
		060 ó 064	Wit + groen
		065 ó 069	Groen + geel
		070 ó 074	Geel + rood
		075 ó 079	Rood + blauw
		080 ó 084	Blauw + wit
		085 ó 089	Rood + Groen + Blauw
		090 ó 094	Rood + groen + geel
		095 ó 099	Rood + groen + wit
		100 ó 104	Rood + geel + blauw
		105 ó 109	Rood + wit + blauw
		110 ó 114	Rood + geel + wit
		115 ó 119	Geel + groen + blauw
		120 ó 124	Blauw + groen + wit
		125 ó 129	Geel + groen + wit
		130 ó 134	Geel + wit + blauw
		135 ó 139	Rood + groen + blauw + geel
		140 ó 144	Rood + groen + blauw + wit
145 ó 149	Groen + blauw + geel + wit		
150 ó 154	Rood + groen + geel + wit		
155 ó 159	Rood + blauw + geel + wit		
160 ó 164	Rood + groen + blauw + geel + wit		
165 ó 209	Automatisch (alleen enkele kleuren)		
210 ó 222	Automatisch (twee kleuren tegelijkertijd)		
223 ó 255	Automatisch geluid		

**18 kanaal**

Kanaal	Functie	Waarde	Instelling
13	Derbystroboscoop	000 ó 004	Geen functie
		005 ó 200	Stroboscoopsnelheid (langzaam tot snel)
		201 ó 255	Geluidsactieve modus
14	Derbysnelheid	000 ó 004	Stop
		005 ó 127	Rechts roteren (langzaam tot snel)
		128 ó 133	Stop
		134 ó 255	Links roteren (langzaam tot snel)
15	SDM-stroboscoop	000 ó 009	Blackout
		010 ó 019	Automatisch programma 1 (langzaam tot snel)
		020 ó 029	Automatisch programma 2 (langzaam tot snel)
		030 ó 039	Automatisch programma 3 (langzaam tot snel)
		040 ó 049	Automatisch programma 4 (langzaam tot snel)
		050 ó 059	Automatisch programma 5 (langzaam tot snel)
		060 ó 069	Automatisch programma 6 (langzaam tot snel)
		070 ó 079	Automatische programma's 7 (langzaam tot snel)
		080 ó 089	Automatische programma's 8 (langzaam tot snel)
		090 ó 099	Automatische programma's 9 (langzaam tot snel)
		100 ó 109	Automatische programma's 10 (langzaam tot snel)
		110 ó 119	Automatische programma's 11 (langzaam tot snel)
		120 ó 200	Volledig aan
201 ó 255	Geluidsactieve stroboscoop		
16	Lasers	000 ó 009	Blackout
		010 ó 049	Rood aan
		050 ó 089	Groen aan
		090 ó 129	Groen en rood, wisselende stroboscoop
		130 ó 169	Rood aan en groene stroboscoop
		170 ó 209	Groen aan en rode stroboscoop
		210 ó 255	Roode en groene stroboscoop
17	Laser stroboscoop	000 ó 004	Geen functie
		005 ó 254	Stroboscoop (langzaam tot snel)
		255	Geluidsactieve stroboscoop
18	Motor LED	000 ó 004	Stop
		005 ó 127	Rechts roteren (langzaam tot snel)
		128 ó 133	Stop
		134 ó 255	Links roteren (langzaam tot snel)

02 kanaal	Kanaal	Functie	Waarde	Instelling
1		<b>Automatische programma's</b>	000 ó 015	Blackout
			016 ó 030	Alleen wash
			031 ó 045	Alleen lasers
			046 ó 060	Alleen derby
			061 ó 075	Alleen stroboscopen
			076 ó 090	Wash, laser en derby
			091 ó 105	Wash, laser en stroboscopen
			106 ó 120	Wash, derby en stroboscopen
			121 ó 135	Laser, Derby en stroboscopen
			136 ó 150	Wash en laser
			151 ó 165	Wash en derby
			166 ó 180	Wash en stroboscopen
			181 ó 195	Wash en derby
			196 ó 210	Laser en stroboscopen
			211 ó 225	Derby en stroboscopen
	226 ó 255	Alle effecten		
2		<b>Automatische programmasnelheid</b>	000 ó 200	Selecteert snelheid, (langzaam tot snel)
		<b>Geluidsactieve modus</b>	201 ó 255	Geluidsactieve modus - alle effecten



Voor handmatige bediening van LED's en lasers met DMX-regeling, moet u ervoor zorgen dat kanaal 1 is ingesteld naar het juiste DMX-adres.

## IRC-6 Infrarood Remote Control

De Swarm Wash FX is compatibel met de IRC-6 infrarood afstandsbediening van Chauvet Druk op een toets op de IRC-6 om de IR-modus te activeren.

**Zorg ervoor dat de IRC-6-afstandsbediening direct naar het product wijst en dat er niet tussen de afstandsbediening en het product staat.**

### IRC-6 bediening



#### Automodus

Om het product in een automatisch programma te laten lopen:

1. Druk op **<AUTO>** op de IRC-6.

#### Geluidsactieve modus

Om het product in een geluidsactief programma te laten lopen:

1. Druk op **<SOUND>** op de IRC-6.

#### Snelheidsaanpassing

Om de snelheid van het automatische programma af te stellen:

1. Druk op **<SPEED>**
2. Gebruik **<+>** of **<->** om de programmasnelheid te verhogen of te verlagen.

**Om de automatische en geluidsactieve moduseffecten aan te passen met IRC-6 knoppen:**

Automatische modus/geluidsactieve modus
<b>&lt;1&gt;</b> - Wash-effect in-/uitschakelen
<b>&lt;2&gt;</b> - Derby-effect in-/uitschakelen
<b>&lt;3&gt;</b> - Lasereffect in-/uitschakelen
<b>&lt;4&gt;</b> - Stroboscoopeffect in-/uitschakelen

#### Black Out (verduisteren)

Om de lamp te verduisteren:

Druk op **<BLACK OUT>** op de IRC-6.

Dit schakelt de lamp uit totdat de knop opnieuw wordt ingedrukt.

**LET OP:** Wanneer Black Out (verduistering) is geactiveerd zal de IRC niet op invoeren reageren. Als de afstandsbediening niet reageert wanneer een knop wordt ingedrukt, probeer dan op **<BLACK OUT>** te drukken. Het kan zijn dat u per ongeluk Black Out (verduisteren) hebt geactiveerd.



**Alle andere knoppen op de IRC-6 infrarood afstandsbediening hebben met dit product geen functie.**

## Configuratie (losstaand)

Plaatst het product in een van de losstaande modi om te bedienen zonder een DMX-regelaar. Sluit het product aan op een geschikt stopcontact.



**Sluit nooit een product, die in een losstaande modus werkt (statisch, automatisch of geluid), aan op een DMX-rij die is verbonden aan een DMX-regelaar. Producten in losstaande modus kunnen DMX-signalen verzenden die de DMX-signalen van de regelaar verstoren.**

## Geluidsactieve modus

Doe het volgende om de geluidsactieve modus in te schakelen:

1. Druk herhaaldelijk op **<MENU>** totdat **SND** knippert op het display.
2. **SN1—SN15** knippert op het display en het geluidlampje gaat branden.
3. Gebruik **<UP>** of **<DOWN>** om het gewenste geluidsactieve programma te selecteren.
4. Met een druk op **<ENTER>** zal de armatuur in geluidsactieve modus gaan.
5. Zet de muziek aan en stel de geluidsgevoeligheidsknop in totdat het product begint te reageren op de beat van de muziek.



**Het product reageert alleen op lage frequenties van de muziek (lage bas en drums). De laser verduistert in de geluidsactieve modus na 3 seconden stilte of geluid onder de gevoeligheidsinstelling.**

## Automatische modus

Volg onderstaande instructies om de automatische modus in te schakelen:

1. Druk herhaaldelijk op **<MENU>** totdat **P--** knippert op het display.
2. **P 1—P15** knippert op het display en het lampje Auto gaat branden.
3. Gebruik **<UP>** of **<DOWN>** om de gewenste automatische modus te selecteren.
4. Druk op **<ENTER>**.

## Snelheidsaanpassing

Volg onderstaande instructies om de snelheid van de automatische of geluidsactieve modus aan te passen:

1. Druk op **<MENU>** totdat **S--** weergegeven wordt op het display.
2. Druk op **<ENTER>** en **S.01—S.99** wordt op het display weergegeven.
3. Gebruik **<UP>** of **<DOWN>** om de programmasnelheid in te stellen.
4. Druk op **<ENTER>**.

## Master/Slave Modus

De Master/Slave-modus zorgt ervoor dat een enkel Swarm Wash FX-product (de “master”) de acties regelt van een of meer Swarm Wash FX-producten (de “slaves”) zonder de behoefte aan een DMX-regelaar. De master wordt ingesteld voor gebruik in een automatische of geluidsactieve modus, terwijl de slaves worden ingesteld voor gebruik in Slave-modus. Na instelling en aansluiting zullen de slave-eenheden in harmonie met de master werken.

Configureer de producten zoals hieronder is aangegeven.

### Voor elke slave:

1. Stel het DMX-adres van het product in naar **d001**



• **Configureer alle slave-eenheden vóór het aansluiten van de master op de seriële DMX-keten.**

• **De display op de slaves zal blijven knipperen totdat de slaves een DMX-signaal ontvangen van de master.**

### Voor de master:

1. Sluit de DMX-uitgang van de master aan op de DMX-ingang van de eerste slave-eenheid.
2. Stel de mastereenheid in om te werken in een automatische of geluidsactieve modus.

• **Controleer of de mastereenheid de eerste eenheid in de DMX-keten is.**



• **Sluit nooit een DMX-regelaar aan op een DMX-keten die is geconfigureerd voor de Master/Slave-functie, omdat de regelaar kan interfereren met de signalen van de master.**

• **Sluit niet meer dan 31 slaves aan op de master.**



## 5. TECHNISCHE INFORMATIE

**Productonderhoud** De ophoping van stof verlaagt de lichtemissieprestaties en kan oververhitting veroorzaken. Om optimale prestaties te behouden moet het product ten minste tweemaal per maand gereinigd worden.

Het gebruik en omgevingsomstandigheden kunnen echter ook bijdragen aan de schoonmaakfrequentie.

Volg onderstaande instructies om het product te reinigen:

1. Haal het apparaat van de stroom.
2. Wacht totdat het product op kamertemperatuur is.
3. Gebruik een stofzuiger (of droge perslucht) en een zachte borstel om opgehoopt stof van de externe oppervlakken en ventilatiegaten te verwijderen.
4. Reinig het glaspaneel (laseroopening) met een milde oplossing van glasreiniger of isopropylalcohol.
5. Pas de schoonmaakoplossing direct toe op een zachte, pluisvrije katoenen doek of een brillendoekje.
6. Veeg vuil of roet voorzichtig naar de buitenrand van het glas.
7. Poets het glasoppervlak voorzichtig totdat het vrij is van was en pluisjes.



**Droog de glasoppervlakken altijd zorgvuldig na het reinigen.**

## 6. TECHNISCHE SPECIFICATIES

<b>Afmetingen en gewicht</b>	<b>Lengte</b>	<b>Breedte</b>	<b>Lengte</b>	<b>Gewicht</b>
	335 mm	332 mm	241 mm	4,2 kg
<b>Let op: Afmetingen in inches moeten worden afgerond naar de dichtstbijzijnde decimaal</b>				
<b>Vermogen</b>	<b>Ingangsspanning</b>	<b>Bereik</b>	<b>Spanningsselectie</b>	
	Schakeling (intern)	100–240 VAC, 50/60 Hz	Automatisch wisselend bereik	
	<b>Parameter</b>	<b>120 V; 60 Hz</b>	<b>230 V; 50 Hz</b>	
	Verbruik	40 W	38 W	
	Bedrijfsstroom	0,5 A	0,3 A	
	Power linking-stroomsterkte (eenheden)	8 A (15 eenheden)	8 A (26 eenheden)	
	Zekering	T 1.6 A, 250 V	T 1.6 A, 250 V	
	<b>Stroom I/O</b>	<b>VS/wereldwijd</b>	<b>VK/Europa</b>	
	Stroomingangsstekker	IEC	IEC	
	Stroomuitgangsstekker	Edison	IEC	
	Stroomsnoerstekker	Edison (VS)	Lokale stekker	
<b>Lichtbron</b>	<b>Type</b>	<b>Vermogen</b>	<b>Golflengte</b>	
<b>Laser</b>	Laser (groen)	30 mW	532 nm	
	Laser (rood)	100 mW	650 nm	
<b>Wash-LED</b>	<b>Type</b>	<b>Vermogen</b>	<b>Levensduur</b>	
	LED	1,5 W	50.000 uur	
	<b>Kleur</b>	<b>Aantal</b>	<b>Stroomsterkte</b>	
	Vierkleurige RGB+UV	8	600 mA	
<b>Swarm-LED</b>	<b>Type</b>	<b>Vermogen</b>	<b>Levensduur</b>	
	LED	3 W	50.000 uur	
	<b>Kleur</b>	<b>Aantal</b>	<b>Stroomsterkte</b>	
	Rood	1	500 mA	
	Groen	1	500 mA	
	Blauw	1	500 mA	
	Amber	1	500 mA	
	Wit	1	500 mA	
<b>Stroboscoop</b>	<b>Type</b>	<b>Vermogen</b>	<b>Levensduur</b>	
	LED	1 W	50.000 uur	
	<b>Kleur</b>	<b>Aantal</b>	<b>Stroomsterkte</b>	
	Wit	12	300 mA	
<b>Fotometrie</b>	<b>Parameter</b>			
	Dekkingsbereik (laser)	82°		
	Dekkingsbereik (Swarm)	65°		
	Dekkingsbereik (SMD-stroboscoop)	71°		
	Dekkingsbereik (wash)	46°		
	Stroboscoopfrequentie	0-20 Hz		
	Verlichting @ 2 m (stroboscoop)	823 lux		
<b>Thermisch</b>	<b>Maximale externe temp. van de laser</b>	<b>Koelsysteem</b>		
	35 °C	Convectie		
<b>DMX</b>	<b>I/O-stekkers</b>	<b>Stekkertype</b>	<b>Kanaalbereik</b>	
	3-pins XLR	Houders	18 of 2	
<b>Bestellen</b>	<b>Productnaam</b>	<b>Artikelcode</b>	<b>UPC-code</b>	
	Swarm Wash FX	10051155	781462215033	



## RETOUREN

Als u ondersteuning nodig hebt of een product wilt retourneren:

- Neem contact op met het Chauvet wereldwijde hoofdkwartier als u zich in de VS bevindt (zie [Neem contact Op](#)).
- Als u zich binnen het Verenigd Koninkrijk of Ierland bevindt, neem dan contact op met Chauvet Europe Ltd. (zie [Neem contact Op](#)).
- Als u zich in Mexico bevindt, neem dan contact op met Chauvet Mexico (zie [Neem contact Op](#)).
- Als u zich in Benelux bevindt, neem dan contact op met Chauvet Europe BVBA (zie [Neem contact Op](#)).
- Als u zich in een ander land bevindt, neem dan GEEN contact op met Chauvet. Neem in plaats daarvan contact op met uw plaatselijke distributeur. Zie [www.chauvetlighting.com](http://www.chauvetlighting.com) voor distributeurs buiten de VS, het Verenigd Koninkrijk, Ierland, Mexico of Benelux.



**Als u zich buiten de VS, het Verenigd Koninkrijk, Ierland, Mexico of Benelux bevindt, neem dan contact op met uw geregistreerde distributeur en volg hun instructies over het retourneren van CHAUVET®-producten naar hen. Ga naar onze website [www.chauvetlighting.com](http://www.chauvetlighting.com) voor contactinformatie.**

Bel de corresponderende technische afdeling van Chauvet en vraag om een retouropdrachtformulier (RMA)-nummer vóór het verzenden van het product. Zorg dat u het modelnummer, serienummer en een korte beschrijving van de retouroorzaak bij de hand hebt.

Stuur het product gefrankeerd, in zijn originele doos en met zijn originele verpakking en accessoires. Chauvet geeft geen telefoon-tags.

Label het pakket duidelijk met het RMA-nummer. Chauvet weigert producten die worden geretourneerd met een RMA-nummer.



**Schrijf het RMA-nummer op een voldoende bevestigd etiket. Schrijf het RMA-nummer NIET direct op de doos.**

Vóór het verzenden van het product moet u de volgende informatie duidelijk op een stuk papier schrijven en het binnen de doos plaatsen:

- Uw naam:
- Uw adres:
- Uw telefoonnummer
- RMA-nummer
- Een korte beschrijving van het probleem

Zorg ervoor dat u het product voldoende inpakt. Alle verzendschade die resulteert uit onvoldoende verpakking is uw verantwoordelijkheid. FedEx-verpakking of dubbele dozen worden aanbevolen.



**Chauvet behoudt zich het recht voor om (het) geretourneerde product(en) naar eigen inzicht te repareren of te vervangen.**

# CONTACT Us

## USA WORLD HEADQUARTERS

### General Information

Address: 5200 NW 108th Avenue  
Sunrise, FL 33351  
Voice: (954) 577-4455  
Fax: (954) 929-5560  
Toll free: (800) 762-1084

### Technical Support

Voice: (954) 577-4455 (Press 4)  
Fax: (954) 756-8015  
Email: [tech@chauvetlighting.com](mailto:tech@chauvetlighting.com)

**World Wide Web** [www.chauvetlighting.com](http://www.chauvetlighting.com)

## EUROPE

### General Information - Chauvet Europe BVBA

Address: Stokstraat 18  
9770 Kruishoutem  
Belgium  
Voice: +32 9 388 93 97

### Technical Support

Email: [Eutech@chauvetlighting.eu](mailto:Eutech@chauvetlighting.eu)

**World Wide Web** [www.chauvetlighting.eu](http://www.chauvetlighting.eu)

### General Information - Chauvet Europe Ltd.

Address: Unit 1C  
Brookhill Road Industrial Estate  
Pinxton, Nottingham, UK  
NG16 6NT  
Voice: +44 (0)1773 511115  
Fax: +44 (0)1773 511110

### Technical Support

Email: [uktech@chauvetlighting.com](mailto:uktech@chauvetlighting.com)

**World Wide Web** [www.chauvetlighting.co.uk](http://www.chauvetlighting.co.uk)

## MEXICO

### General Information - Chauvet Mexico

Address: Av. Santa Ana 30  
Parque Industrial Lerma  
Lerma, Mexico C.P. 52000  
Voice: +52 (728) 285-5000

### Technical Support

Email: [servicio@chauvet.com.mx](mailto:servicio@chauvet.com.mx)

**World Wide Web** [www.chauvet.com.mx](http://www.chauvet.com.mx)

Outside the U.S., United Kingdom, Ireland, Mexico, or Benelux contact the dealer of record. Follow their instructions to request support or to return a product. Visit our website for contact details.