

NS-IC Series

In-Ceiling Speakers

NS-IC800



NS-IC600



NS-IC400



NS-ICS600



Choice of four models with high sound quality to meet various custom installation requirements.

High Sound Quality

- Moisture resistant 8" / 6-1/2" blue PP (polypropylene) mica cone woofer for high performance mid-low sound reproduction (NS-IC800, NS-IC600, NS-ICS600)
- 1" fluid-cooled soft-dome swivel tweeter delivers pure high frequency with precise sound positioning (NS-IC800, NS-IC600, NS-ICS600)
- Dual voice coil woofer and dual swivel tweeter for stereo input (NS-ICS600)
- Yamaha original double-layer 4" cone create natural sound tonality (NS-IC400)
- Ridge-shape aluminum center cap with stair-like speaker surround helps smooth frequency response from low to high (NS-IC400)

Unique Design

- Grain-finished acoustic baffle with spiral pattern for natural sound dispersion
- Slim profile design for flush in-ceiling or in-wall mounting
- Sealed back cover to protect speaker and crossover from dust and moisture

Quick and Easy Installation

- Paintable grille with magnets for quick and easy installation
- Large mounting clamp with non-slip tread for sure grip

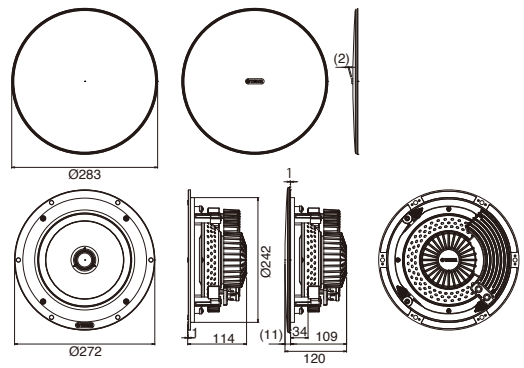


NS-IC800

GENERAL SPECIFICATIONS

| | |
|-------------------------------|--|
| Type | 2-way coaxial |
| Woofers | 8" (20 cm) PP (polypropylene) mica cone |
| Tweeter | 1" (2.5 cm) fluid-cooled soft dome,swivel |
| Voice Coil | Single |
| Frequency Response | 50 Hz – 28 kHz |
| Impedance | 8 ohms |
| Sensitivity (2.83 V, 1 m) | 90 dB |
| Nominal Input power | 50 W |
| Maximum Input Power | 140 W |
| Network (Crossover Frequency) | 12dB/oct. (3.5 kHz) |
| Speaker Terminals | Gold-plated, push type |
| Grille | Thin, slim-fringe grille with magnet catch |
| Dimensions (Diameter x Depth) | Φ10-7/8" x 4-1/4"; Φ272 x 109 mm |
| Mounting Depth | 4-1/4" (109 mm) |
| Weight | 4.2 lbs. (1.9 kg) |
| Packaging | Packaged in pair |

DIMENSIONS



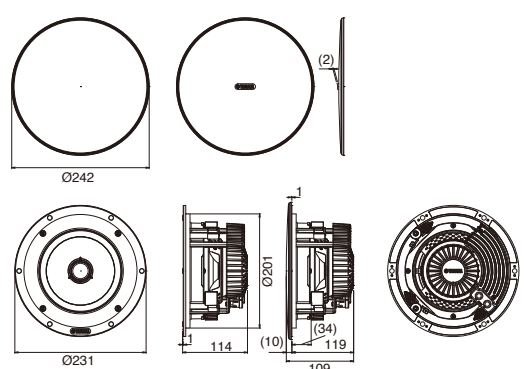
unit : mm

NS-IC600

GENERAL SPECIFICATIONS

| | |
|-------------------------------|--|
| Type | 2-way coaxial |
| Woofers | 6.5" (16 cm) PP (polypropylene) mica cone |
| Tweeter | 1" (2.5 cm) fluid-cooled soft dome,swivel |
| Voice Coil | Single |
| Frequency Response | 65 Hz – 28 kHz |
| Impedance | 8 ohms |
| Sensitivity (2.83 V, 1 m) | 90 dB |
| Nominal Input power | 40 W |
| Maximum Input Power | 110 W |
| Network (Crossover Frequency) | 12dB/oct. (3.2 kHz) |
| Speaker Terminals | Gold-plated, push type |
| Grille | Thin, slim-fringe grille with magnet catch |
| Dimensions (Diameter x Depth) | Φ9" x 4-1/4"; Φ231 x 109 mm |
| Mounting Depth | 4-1/4" (109 mm) |
| Weight | 3.3 lbs. (1.5 kg) |
| Packaging | Packaged in pair |

DIMENSIONS



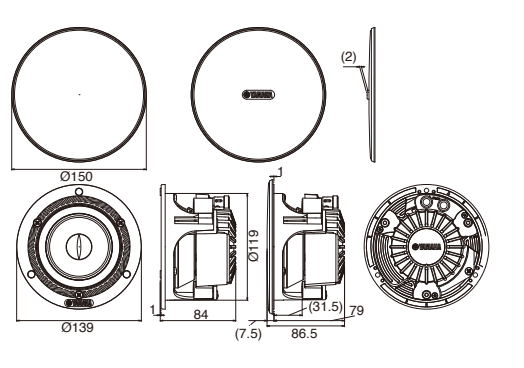
unit : mm

NS-IC400

GENERAL SPECIFICATIONS

| | |
|-------------------------------|--|
| Type | Full range open back |
| Woofers | 4" (10cm) double-layered cone |
| Tweeter | — |
| Voice Coil | Single |
| Frequency Response | 95 Hz - 40 kHz |
| Impedance | 8 ohms |
| Sensitivity (2.83 V, 1 m) | 87 dB |
| Nominal Input power | 30 W |
| Maximum Input Power | 90 W |
| Network (Crossover Frequency) | — |
| Speaker Terminals | Gold-plated, push type |
| Grille | Thin, slim-fringe grille with magnet catch |
| Dimensions (Diameter x Depth) | Φ5-7/8" x 3-3/8"; Φ150 x 86.5 mm |
| Mounting Depth | 3-1/8" (79 mm) |
| Weight | 1.8 lbs. (0.8 kg) |
| Packaging | Packaged in pair |

DIMENSIONS



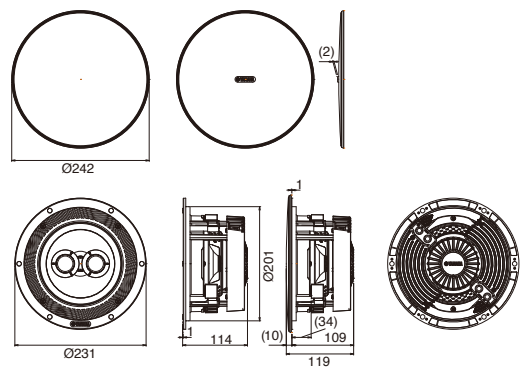
unit : mm

NS-ICS600

GENERAL SPECIFICATIONS

| | |
|-------------------------------|--|
| Type | 2-way coaxial |
| Woofers | 6.5" (16 cm) PP (polypropylene) mica cone |
| Tweeter | Dual 1" (2.5 cm) fluid-cooled soft dome,swivel |
| Voice Coil | Double |
| Frequency Response | 65 Hz -28 kHz |
| Impedance | 8 ohms |
| Sensitivity (2.83 V, 1 m) | 87 dB |
| Nominal Input power | 40 W |
| Maximum Input Power | 120 W |
| Network (Crossover Frequency) | 12dB/oct. (3.2 kHz) |
| Speaker Terminals | Gold-plated, push type |
| Grille | Thin, slim-fringe grille with magnet catch |
| Dimensions (Diameter x Depth) | Φ9" x 4-1/4"; Φ231 x 109 mm |
| Mounting Depth | 4-1/4" (109 mm) |
| Weight | 4 lbs. (1.8 kg) |
| Packaged | Each |

DIMENSIONS



unit : mm